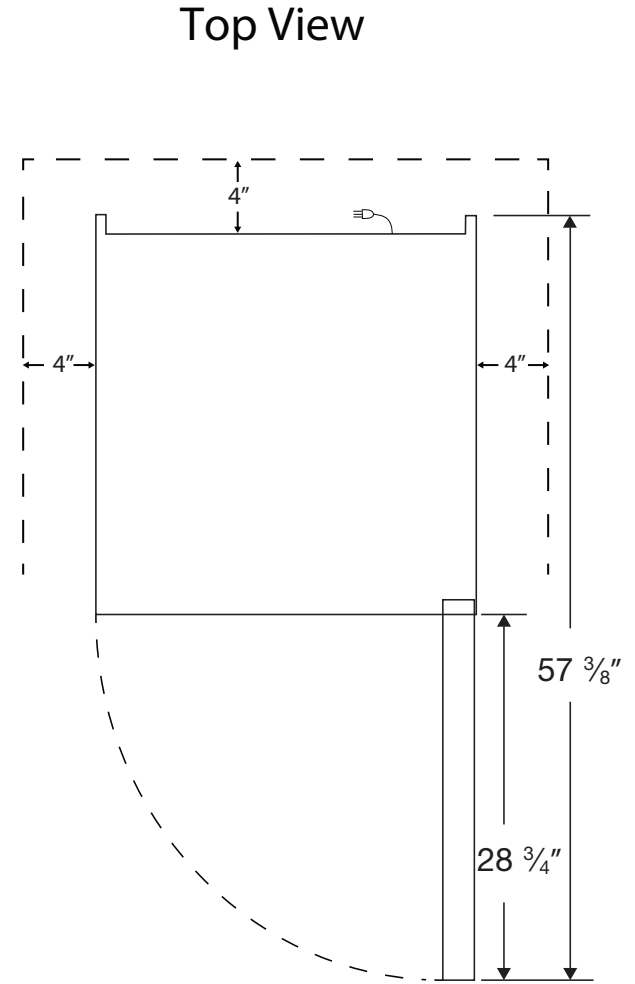
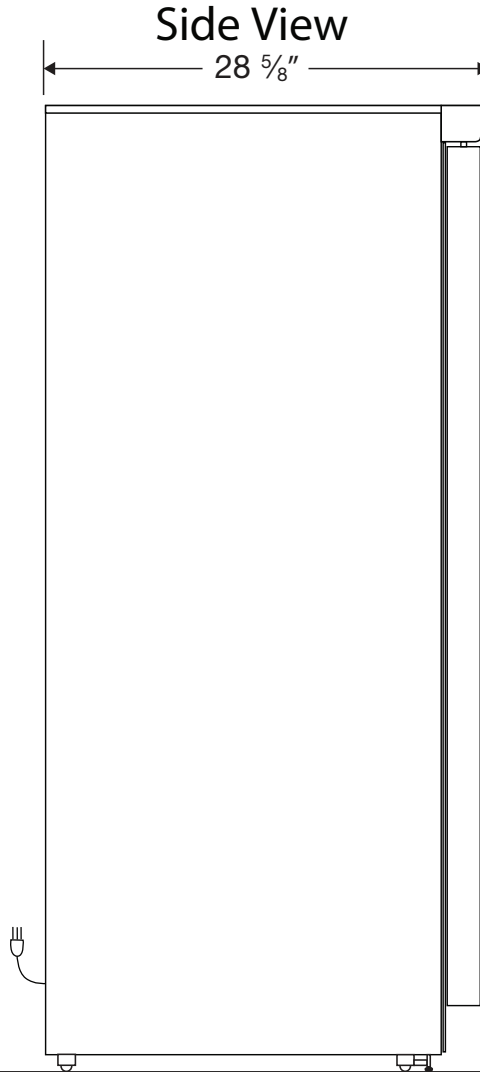
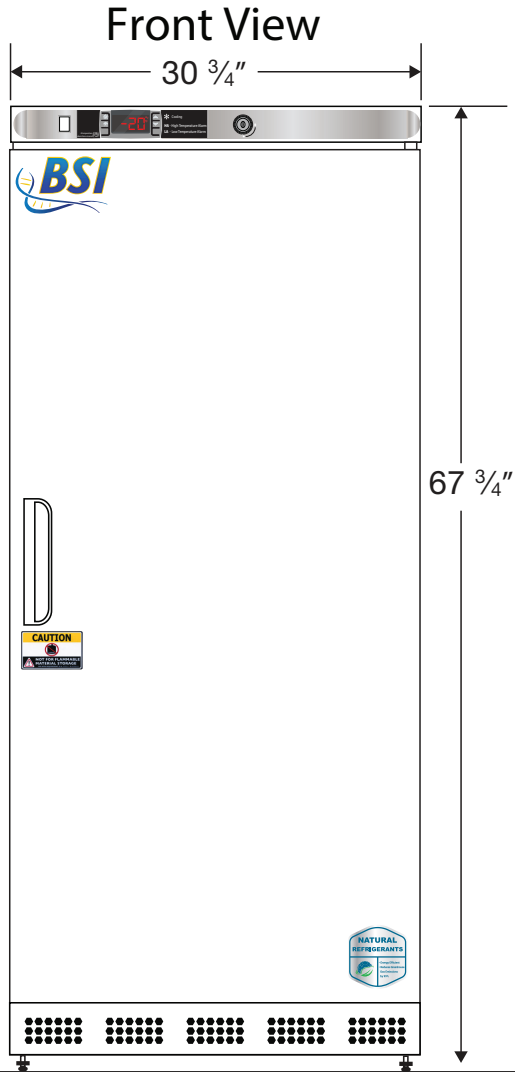





CUTSHEET

Exterior BSI-HC-MFP-17



 115VAC/60Hz/1PH
NEMA-5-15P

NOTE: Ventilation Requirements – Minimum 4" clearance on sides and back

Cu. Ft	Defrost	Door	Int Door	Shelves	W"	D"	H"	Refrigerant	H.P.	Amps	Weight
17	Manual	1 Solid	0	6 Fixed	30 ³ / ₄	28 ⁵ / ₈	67 ³ / ₄	R290	1/2	6	190 lbs.