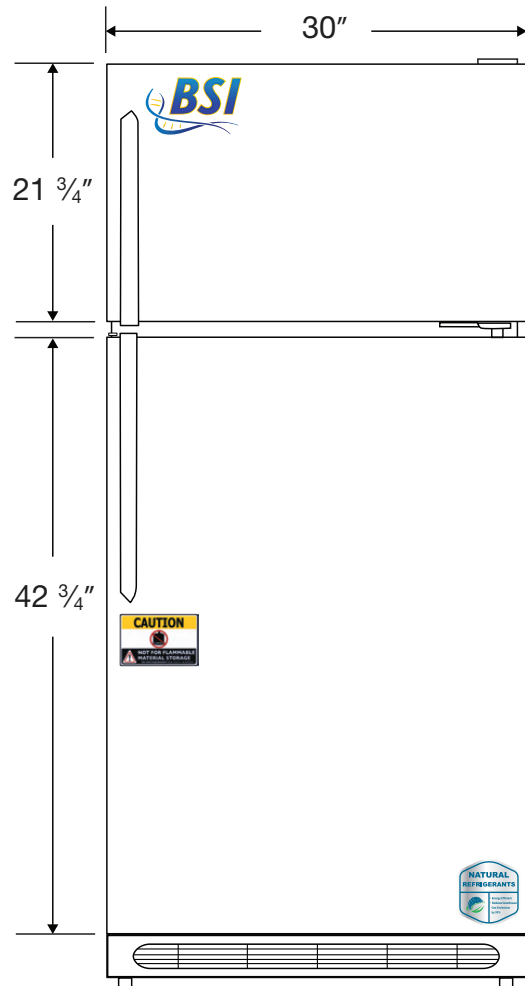




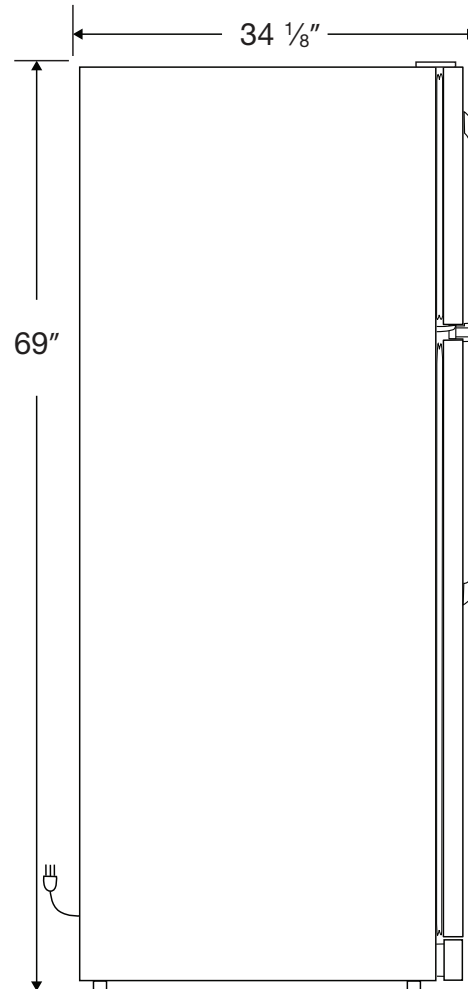
Exterior BSI-HC-RFC-20A

CUTSHEET

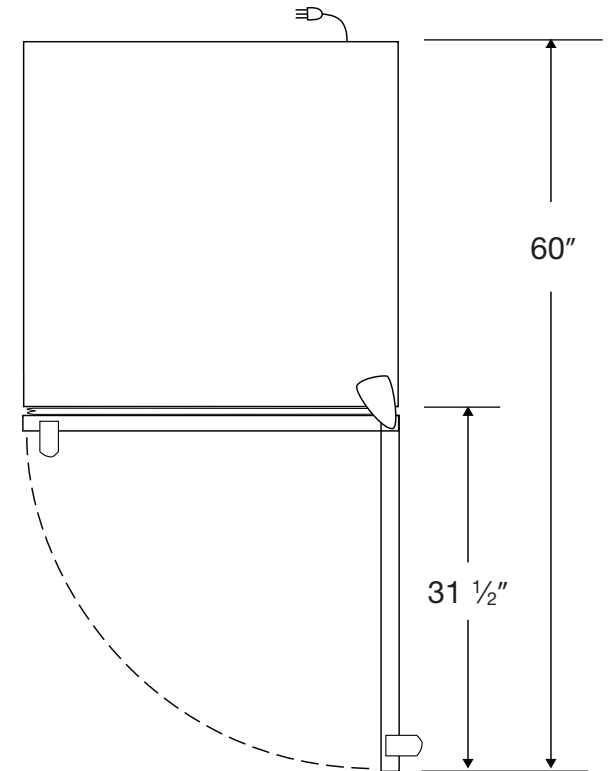
Front View



Side View



Top View



115VAC/60Hz/1PH
NEMA-5-15P

| Compartment | Cu. Ft | Defrost | Door | Int Door | Shelves | W" | D" | H" | Refrigerant | Amps | Weight |
|-------------------------|---------------|---------------|--------------------|----------|---------------------------|----|--------|----|-------------|------|----------|
| Freezer Refrigerator | 5.15 15.35 | Auto Cycle | 1 Solid 1 Solid | 0 0 | 1 Fixed 2 Adj./1 Fixed | 30 | 34 1/8 | 69 | R600a | 3 | 171 lbs. |