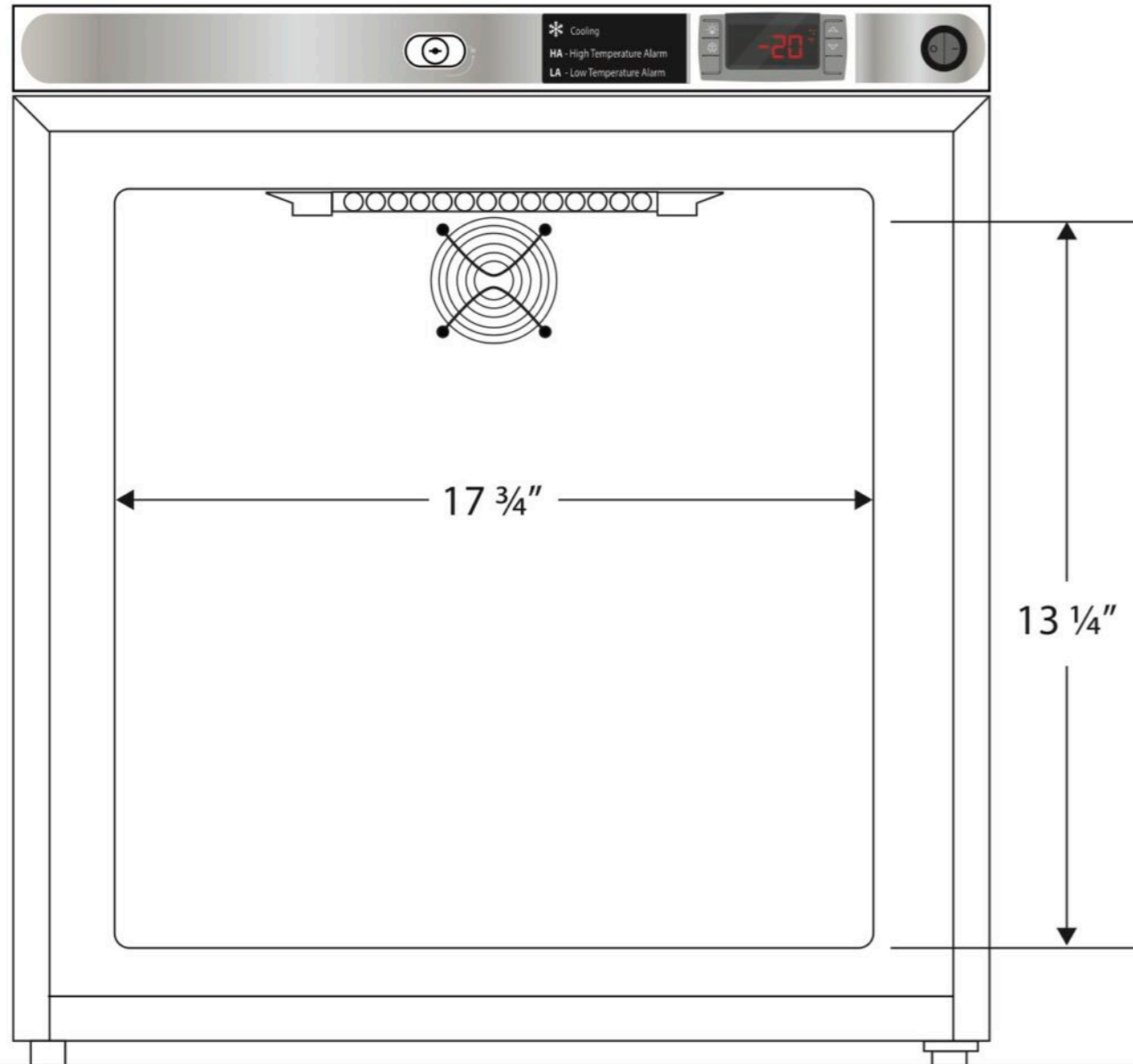




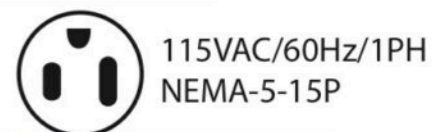
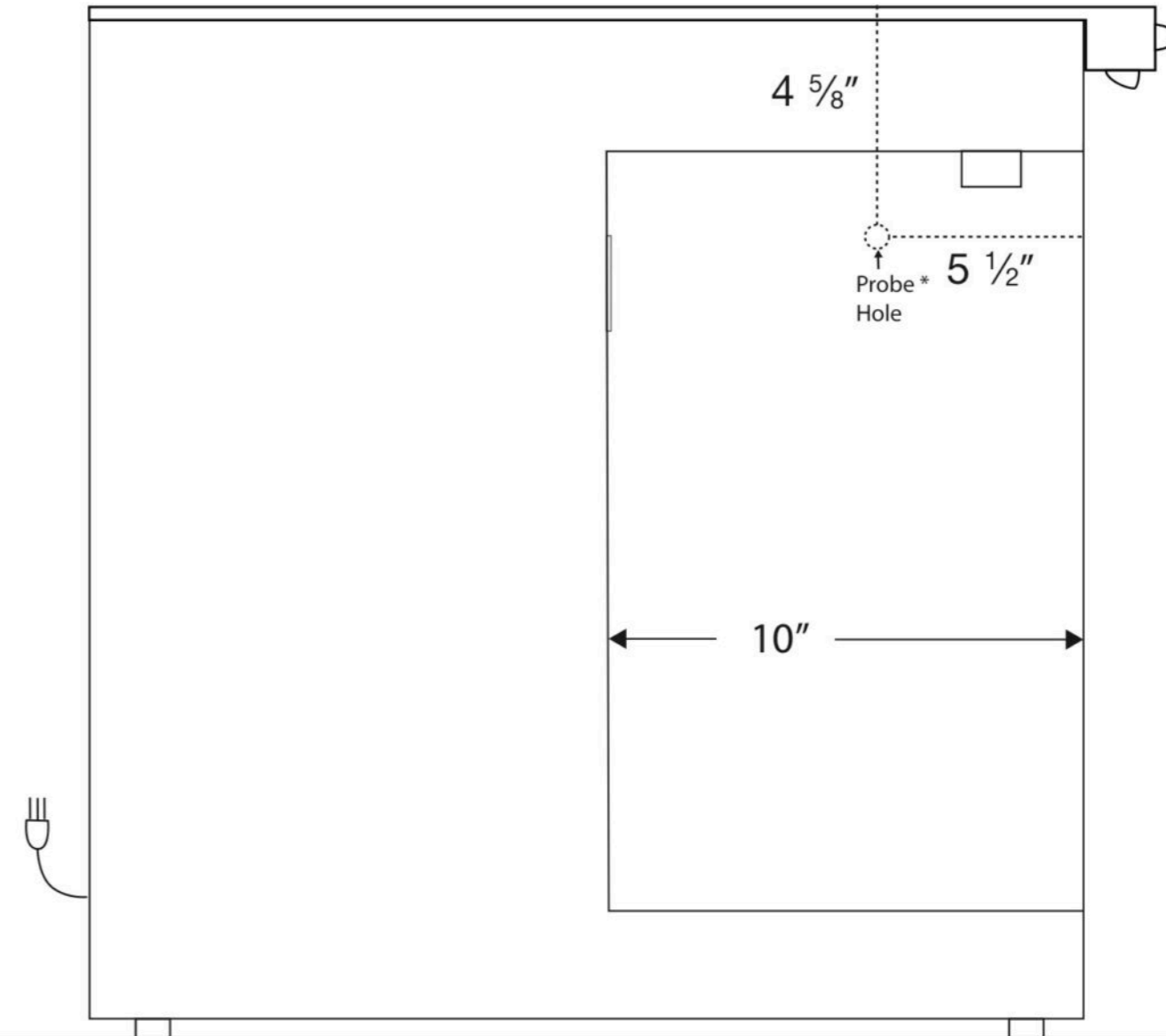
CUTSHEET

Interior BSI-HC-UCFS-0120A

Front View



Side View



Cu. Ft	Defrost	Door	Int Door	Shelves	Interior Dim.			Refrigerant	H.P.	Amps	Weight
					W"	D"	H"				
1.3	Auto	1 Solid (Reversible)	0	2 Adj +Footed Bottom	17 3/4	10	13 1/4	R600a	1/8	1	80 lbs.

Note: Interior dimensions are estimates and subject to change without notice