



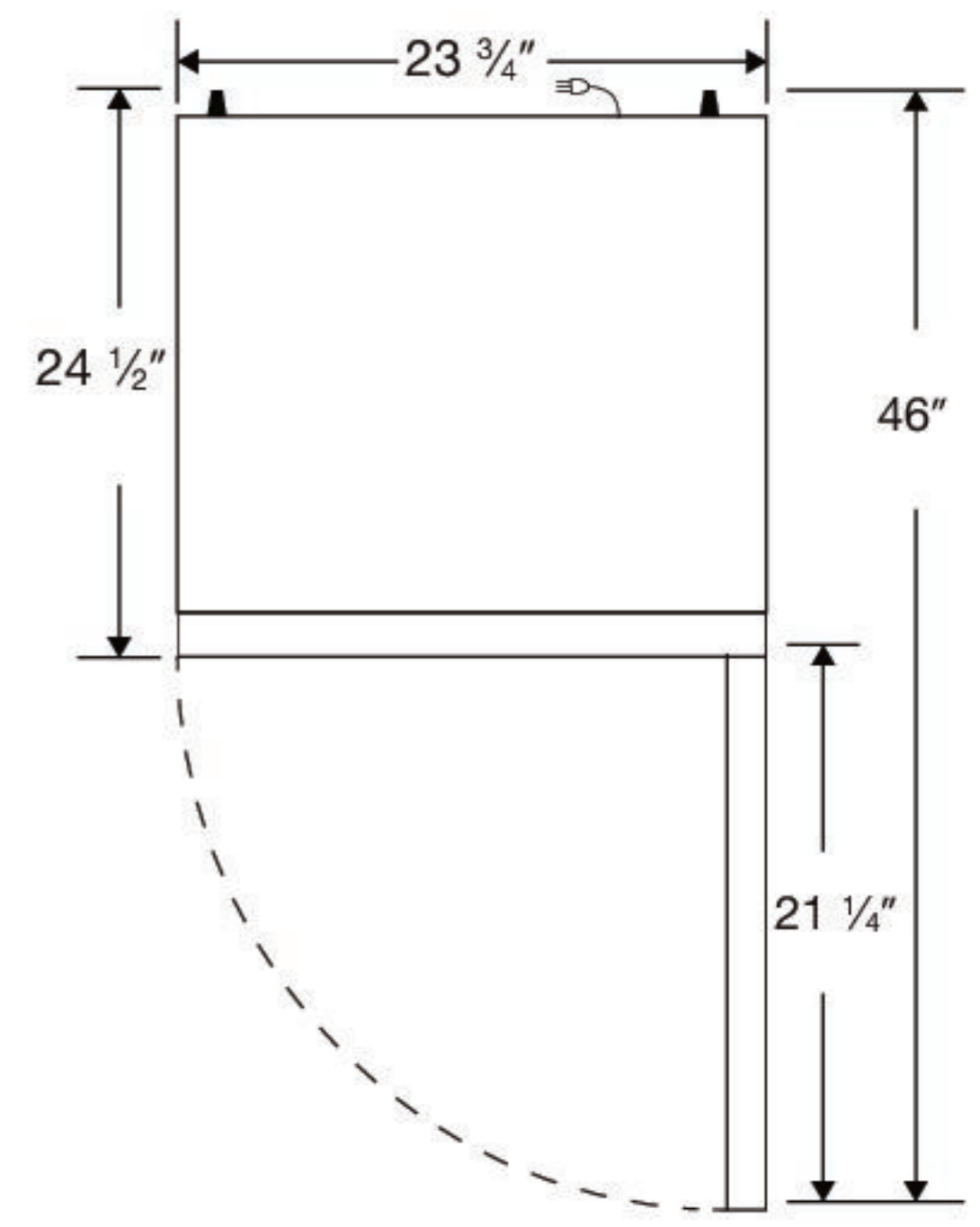
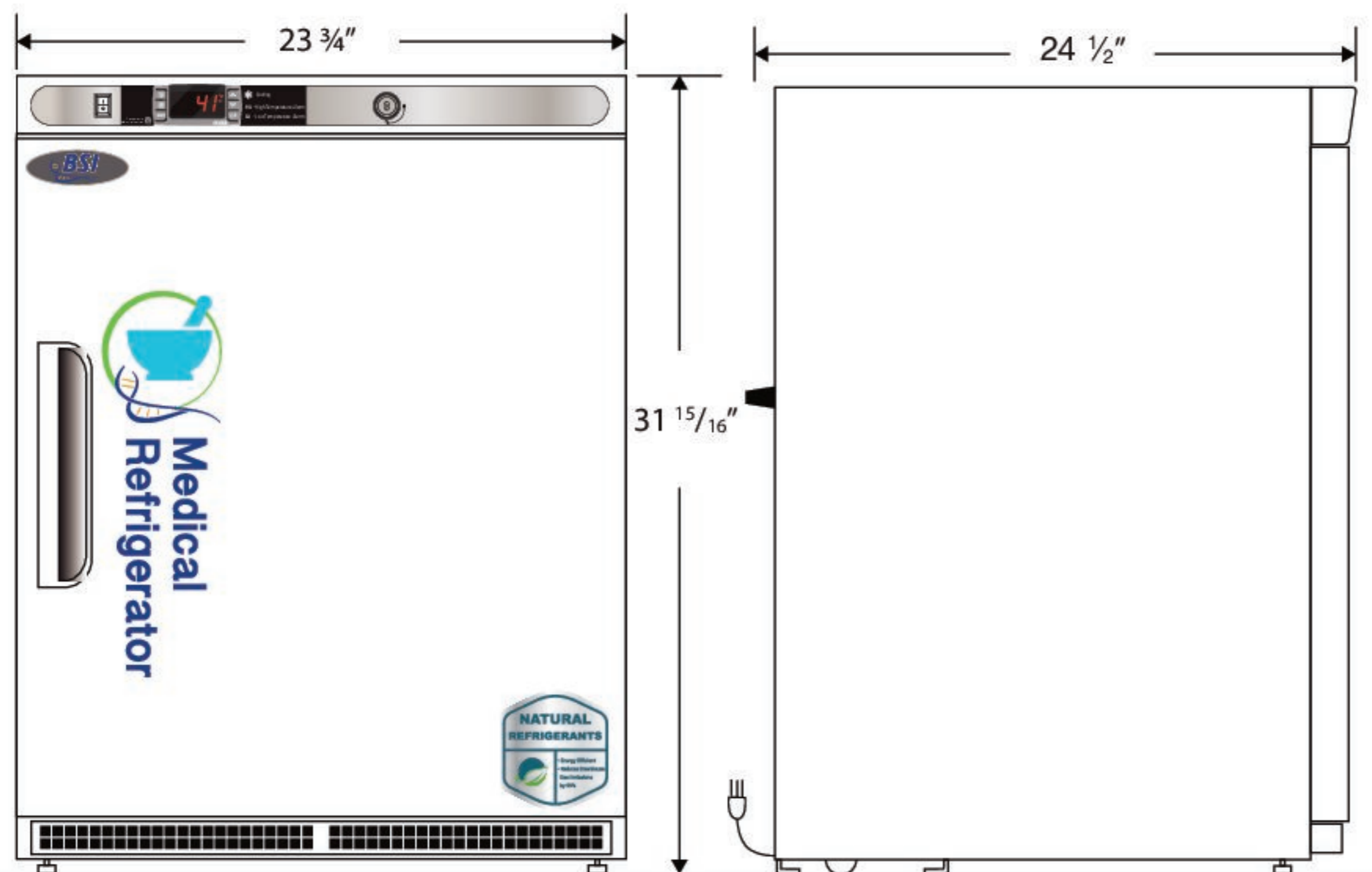
CUTSHEET

Exterior
PH-BSI-HC-UCBI-0404-ADA

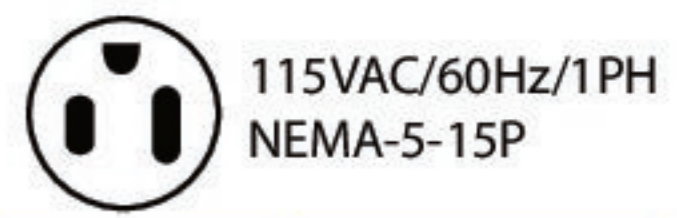
Front View

Side View

Top View



32" HEIGHT MEETS ADA GUIDELINES



Cu. Ft	Defrost	Door	Int Door	Shelves	W"	D"	H"	Refrigerant	H.P.	Amps	Weight
4.6	Cycle	1 Solid (Reversible)	0	2Adj/1 Fixed	23 3/4	24 1/2	31 15/16	R600a	1/8	1.74	97 lbs.