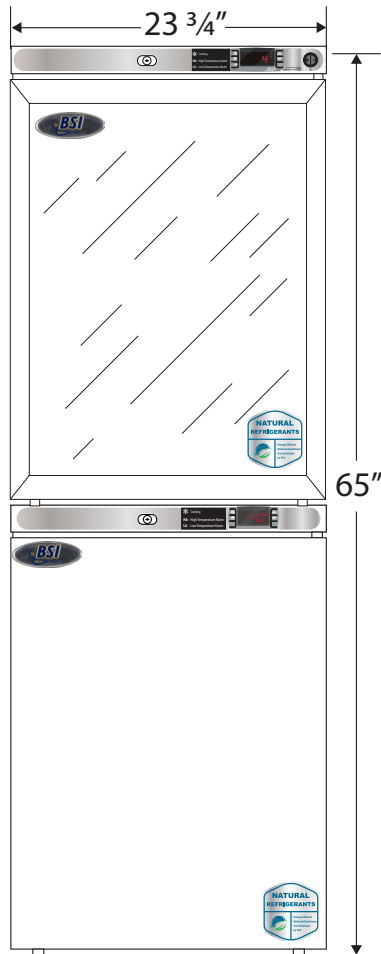




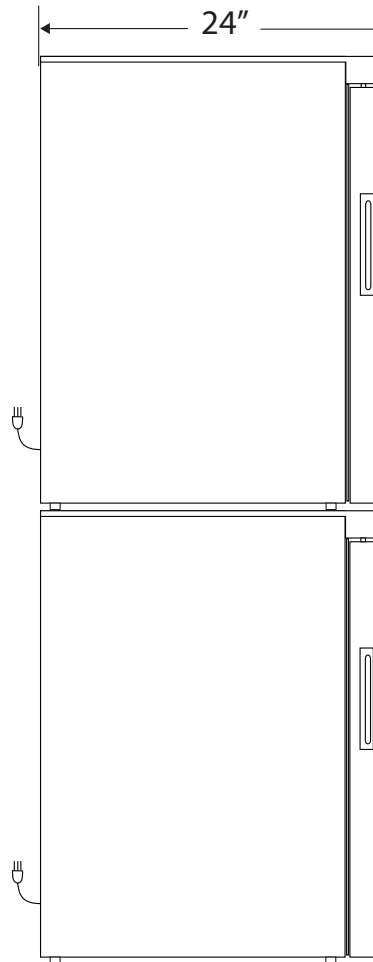
# Exterior BSI-HC-RFC1040G

## CUTSHEET

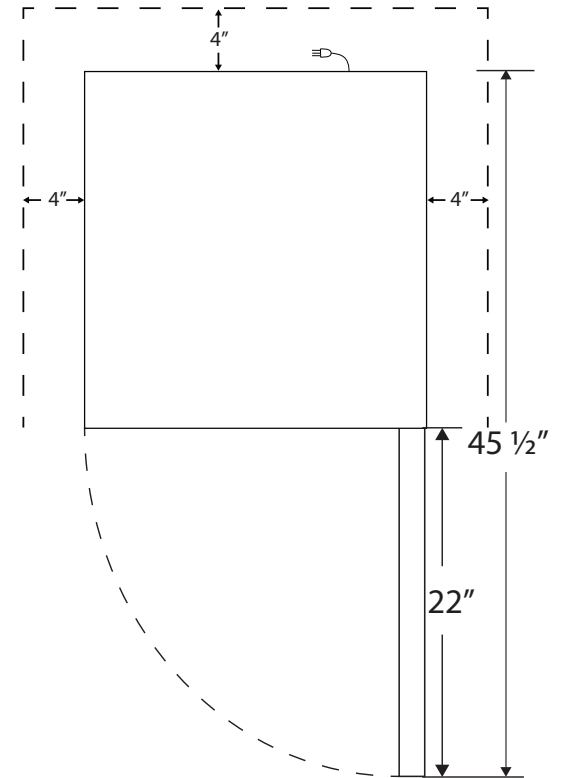
Front View



Side View



Top View



115VAC/60Hz/1PH  
NEMA-5-15P

**NOTE: Ventilation Requirements – Minimum 4" clearance on sides and back**

| Compartment  | Cu. Ft | Defrost | Door    | Int Door | Shelves | W"     | D" | H" | Refrigerant | H.P. | Amps | Weight   |
|--------------|--------|---------|---------|----------|---------|--------|----|----|-------------|------|------|----------|
| Refrigerator | 5.2    | Cycle   | 1 Glass | 0        | 3 Adj.  | 23 3/4 | 24 | 65 | R600a       | 1/6  | 1.3  | 188 lbs. |
| Freezer      | 4      | Manual  | 1 Solid | 0        | 3 Adj.  |        |    |    | R290        | 1/4  | 2.2  |          |