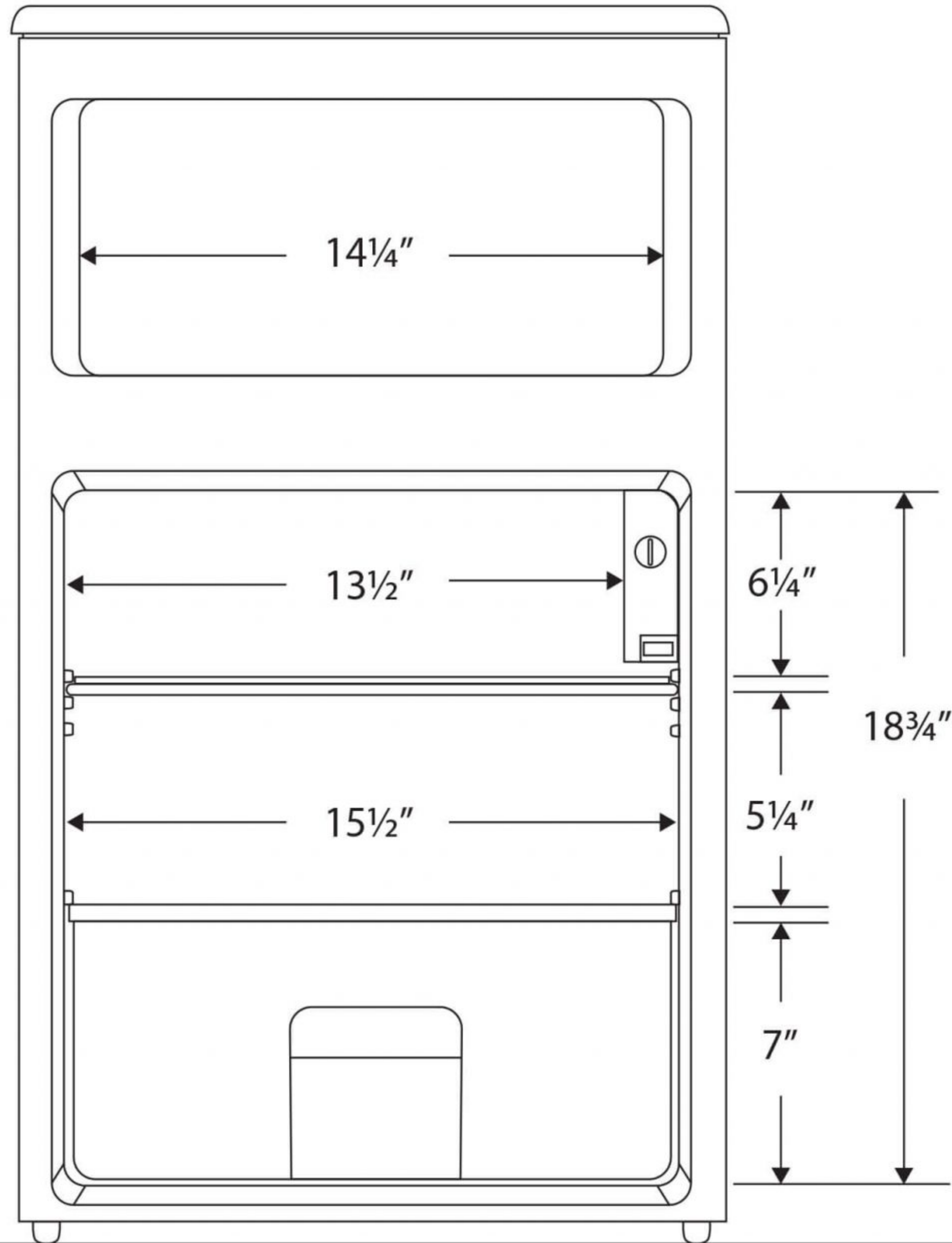




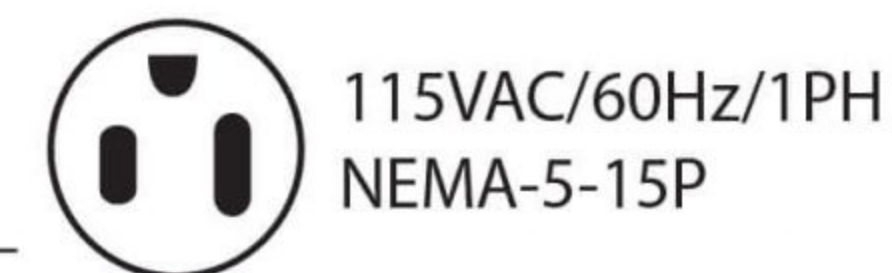
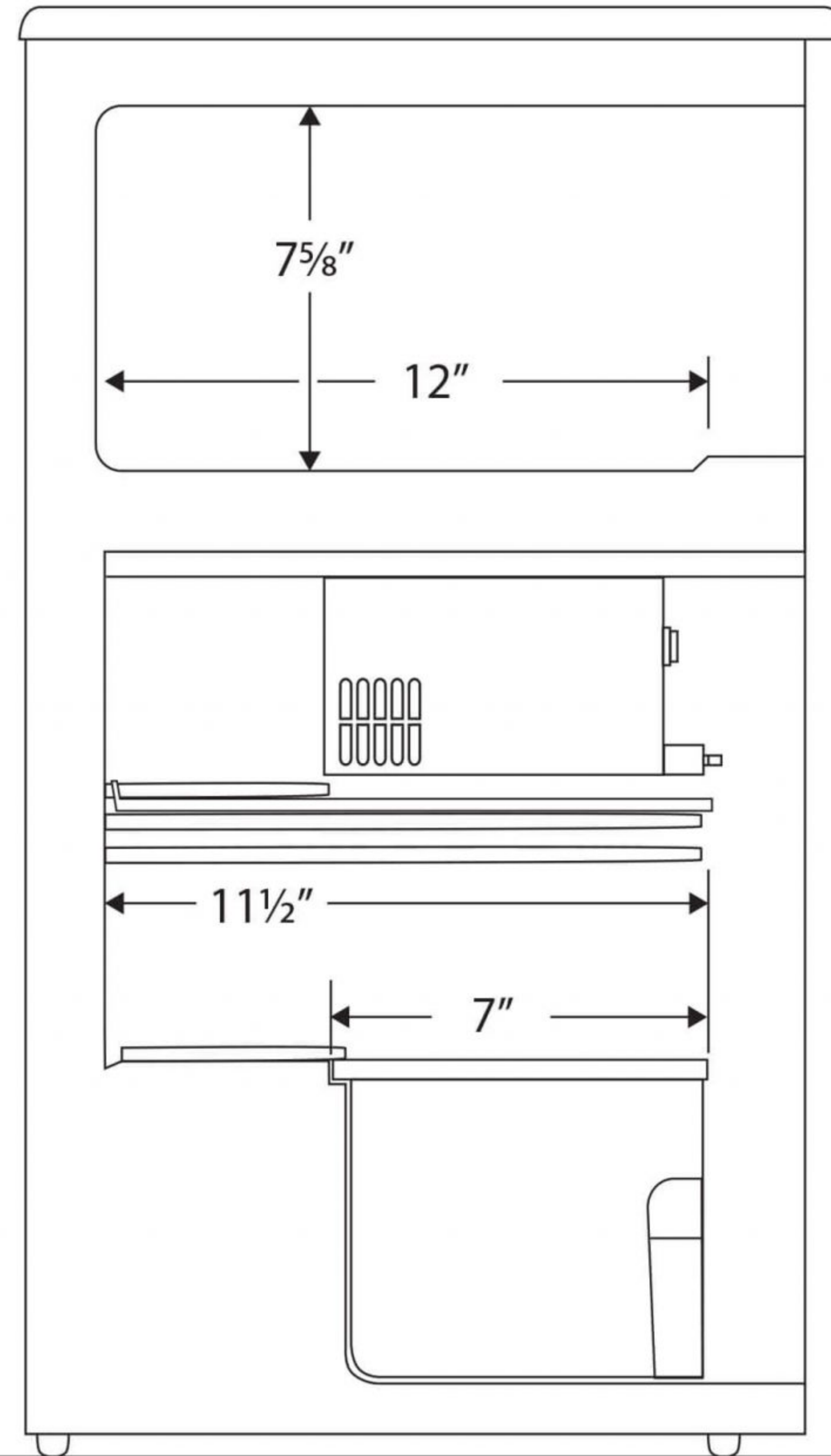
Interior
BSI-RFC-3M

CUTSHEET

Front View



Side View



Compartment	Cu. Ft	Defrost	Door	Int Door	Shelves	W"	D"	H"	Refrigerant	H.P.	Amps	Weight
Freezer	1	Manual	1 Solid	0	1 Bin	14 1/4	12	7 5/8	R134a	1/6	1.3	66 lbs.
Refrigerator	2	Cycle	1 Solid	0	1 Fixed/1 Adj.	15 1/2	11 1/2	18 3/4				