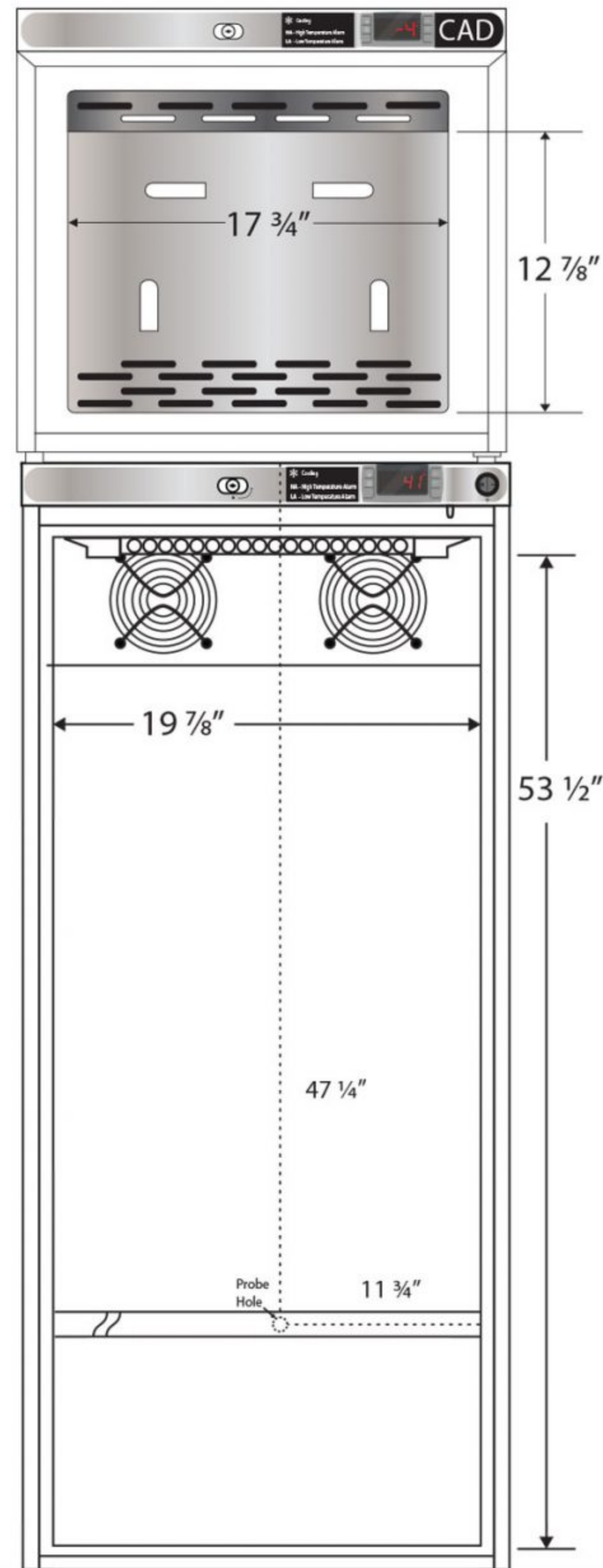




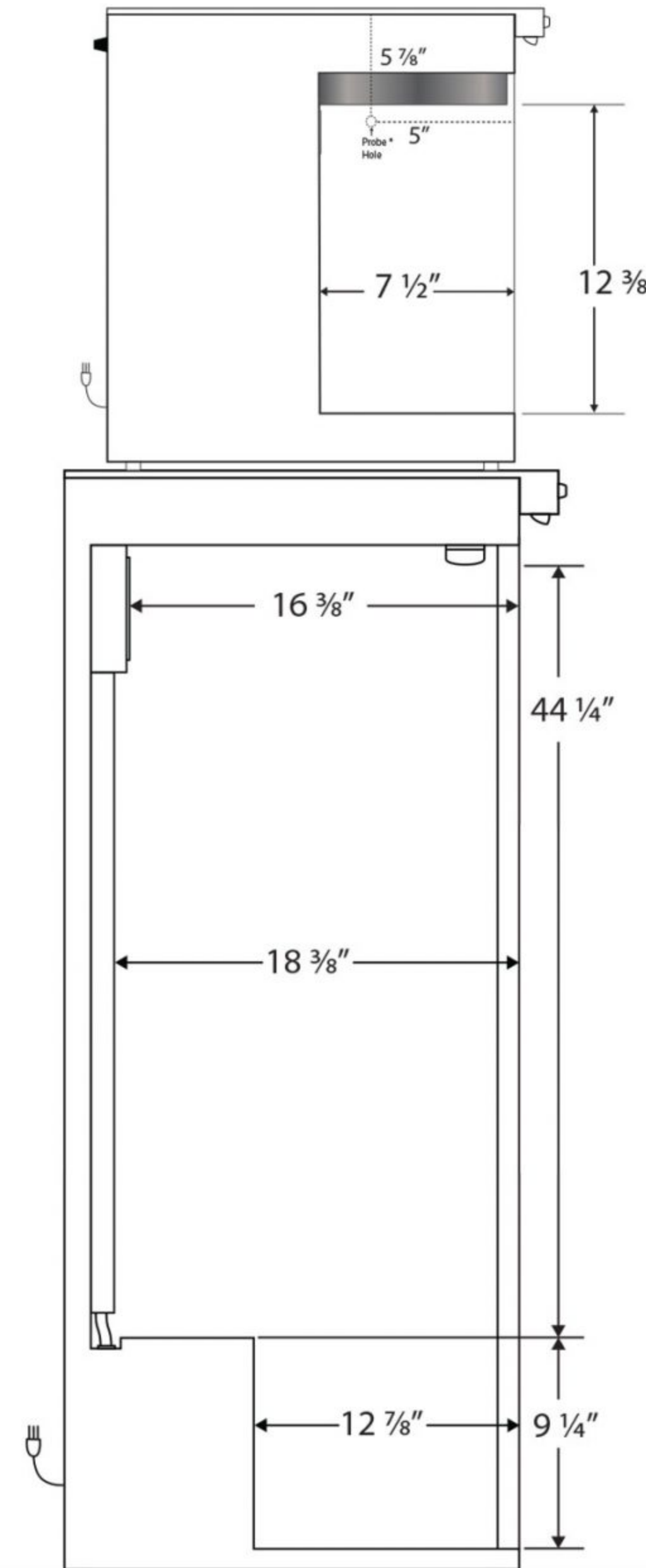
Interior PH-BSI-HC-RFC12A-CAD

CUTSHEET

Front View



Side View



115VAC/60Hz/1PH
NEMA-5-15P

Compartment	Cu. Ft	Defrost	Door	Int Door	Shelves	Interior Dim.			Refrigerant	H.P.	Amps	Weight
						W"	D"	H"				
Freezer	1	Controlled Auto Cycle	1 Solid	0	2 Adj.	17 ³ / ₄	7 ¹ / ₂	12 ³ / ₈	R600a	1/8	1	219 lbs.
Refrigerator	10.5		1 Solid	0	6 Adj.	19 ⁷ / ₈	18 ³ / ₈	53 ¹ / ₂		1/3	2.3	

Note: Interior dimensions are estimates and subject to change without notice