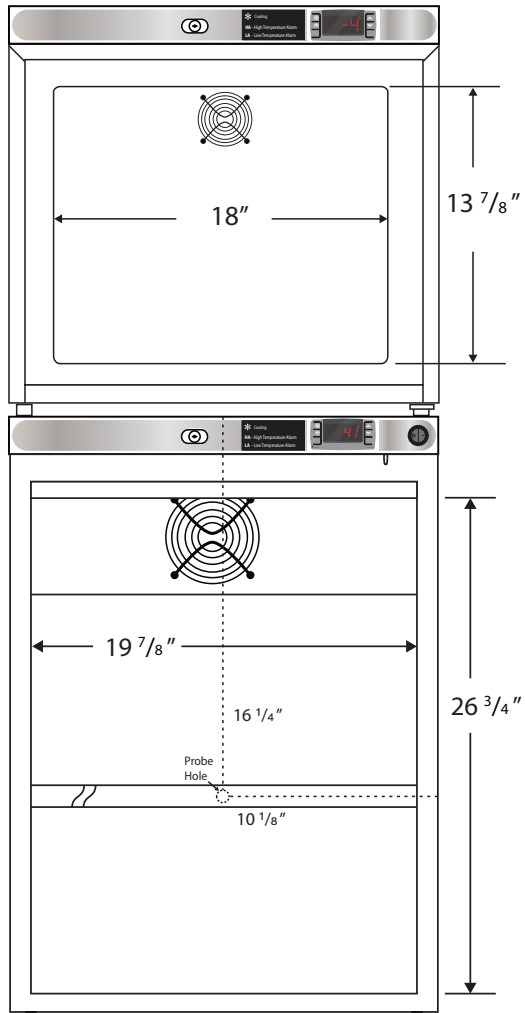




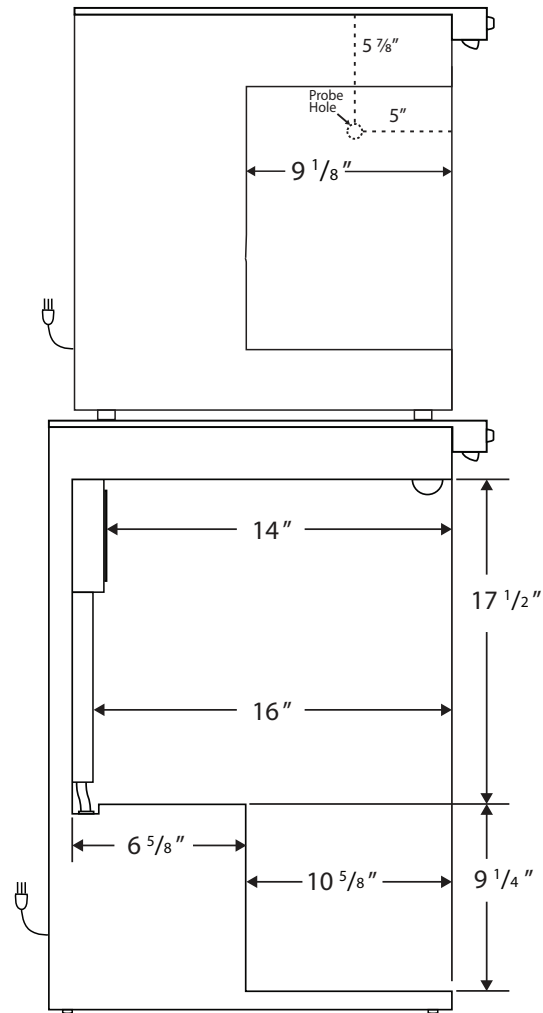
# Interior PH-BSI-HC-RFC7SA

## CUTSHEET

Front View



Side View



115VAC/60Hz/1PH  
NEMA-5-15P

| Compartment  | Cu. Ft | Defrost | Door    | Int Door | Shelves | Interior Dim. |       |        | Refrigerant | H.P. | Amps | Weight   |
|--------------|--------|---------|---------|----------|---------|---------------|-------|--------|-------------|------|------|----------|
|              |        |         |         |          |         | W"            | D"    | H"     |             |      |      |          |
| Freezer      | 1.3    | Auto    | 1 Solid | 0        | 2 Adj.  | 18            | 9 1/8 | 13 7/8 | R600a       | 1/8  | 1    | 135 lbs. |
| Refrigerator | 5.2    | Cycle   | 1 Solid | 0        | 3 Adj.  | 19 7/8        | 16    | 26 3/4 |             | 1/6  | 1.3  |          |

Note: Interior dimensions are estimates and subject to change without notice