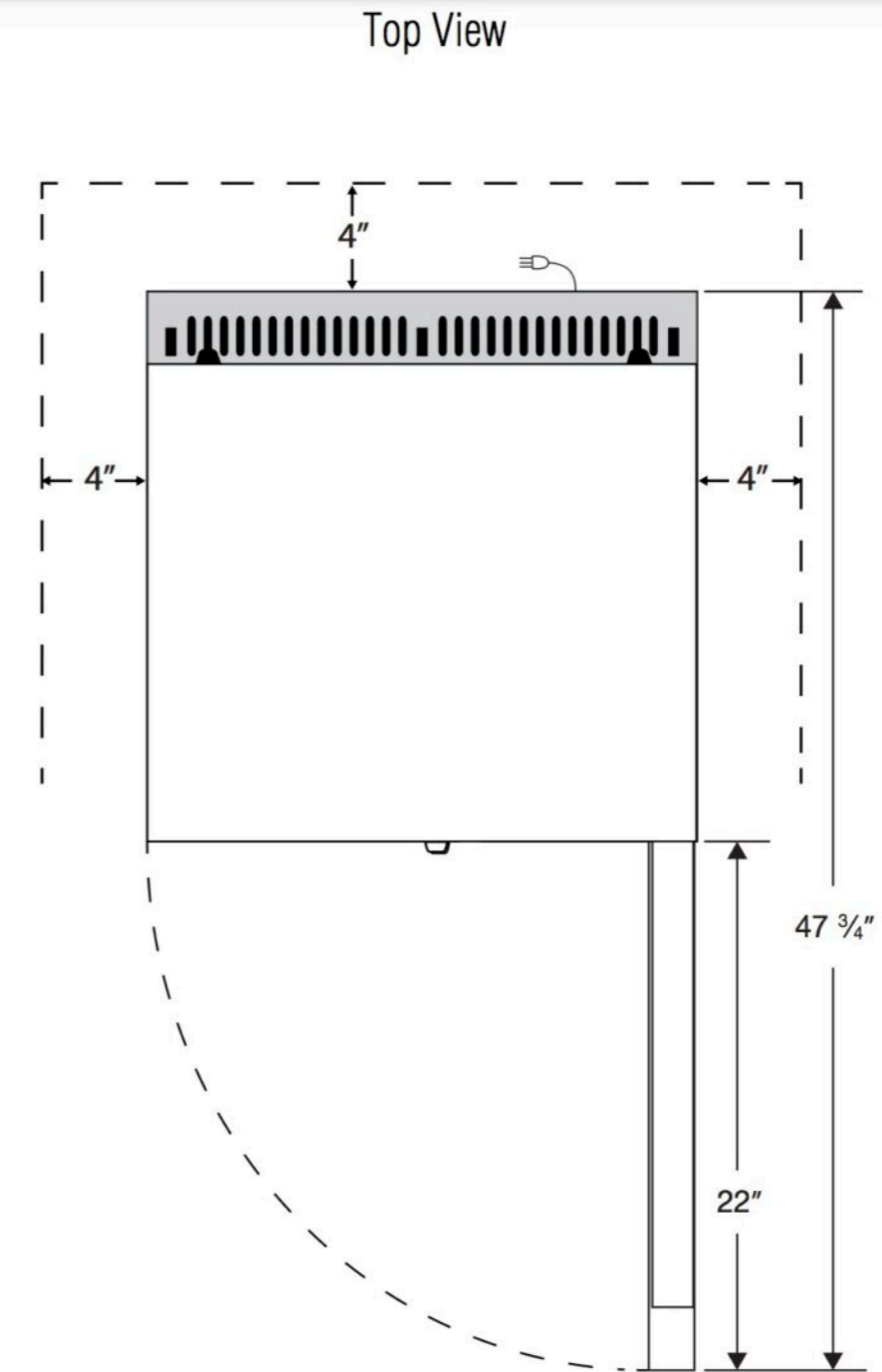
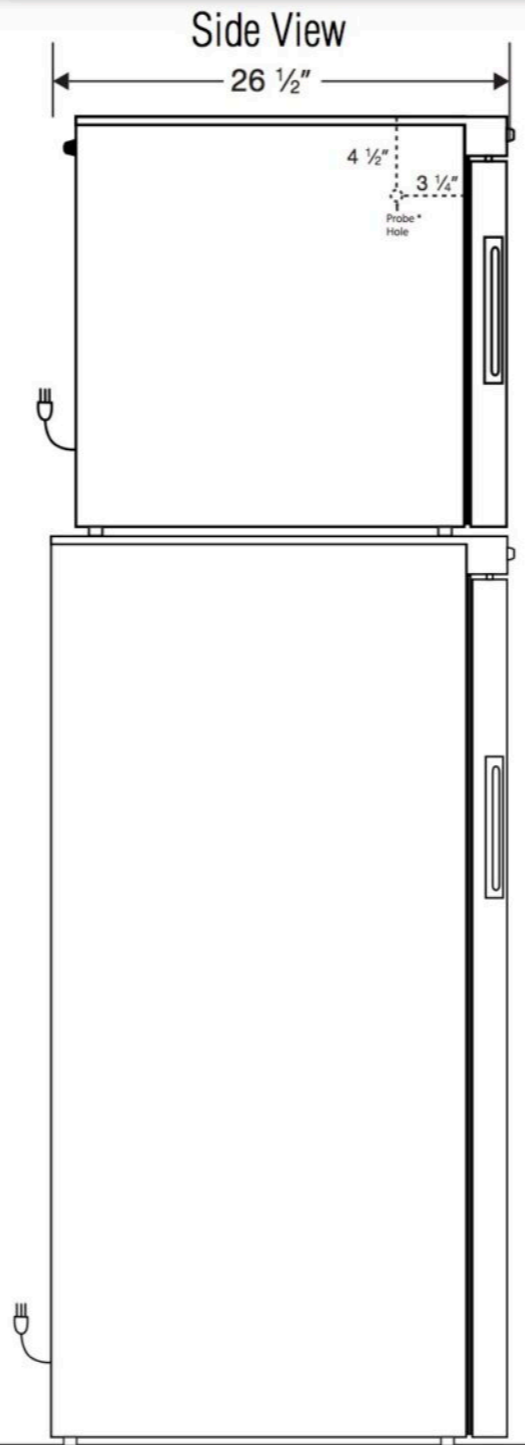
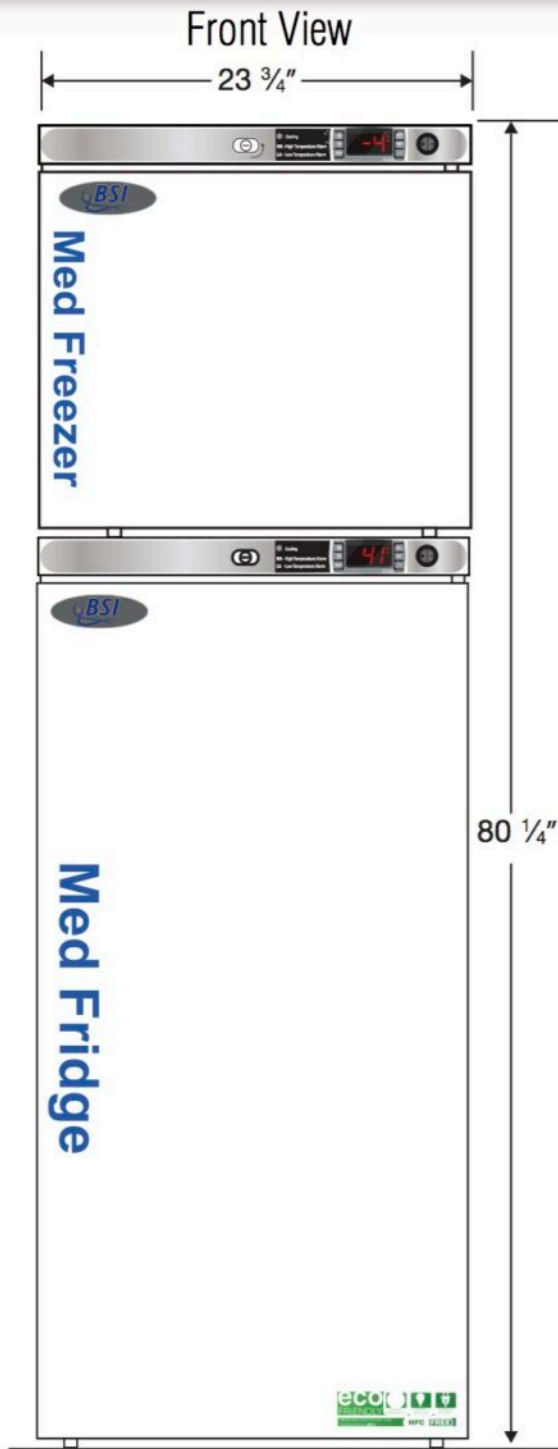


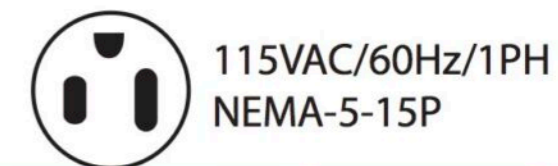


CUTSHEET

Exterior  
PH-BSI-HC-RFC12



**NOTE: Ventilation Requirements – Minimum 4" clearance on sides and back**



Compartment	Cu. Ft	Defrost	Door	Int Door	Shelves	W"	D"	H"	Refrigerant	H.P.	Amps	Weight
Freezer	1.7	Manual	1 Solid	0	2 Adj.	23 3/4	26 1/2	80 1/4	R600a	1/8	1	185 lbs.
Refrigerator	10.5	Cycle	1 Solid	0	6 Adj.					1/3	2.3	