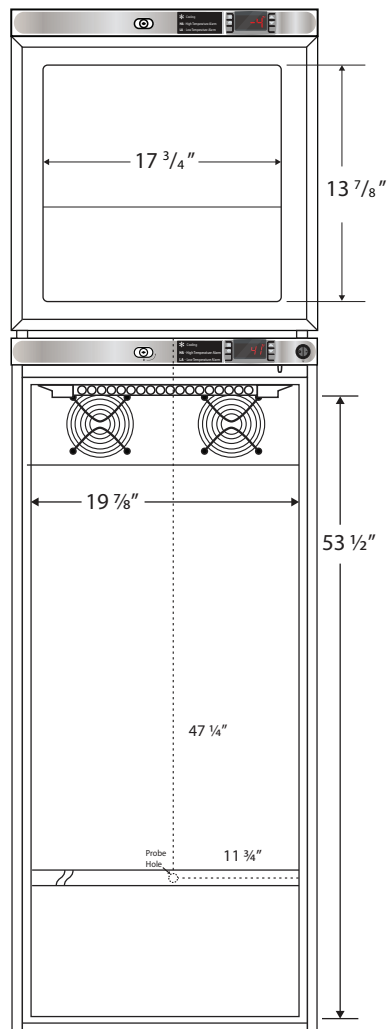




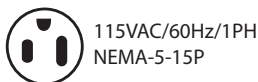
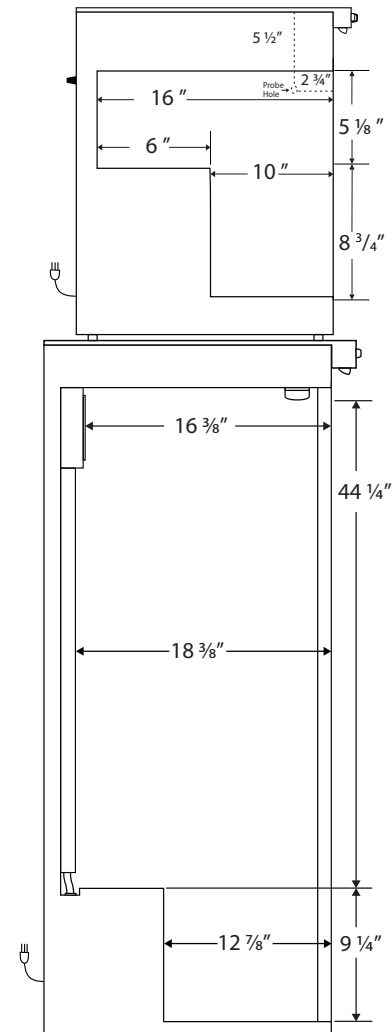
CUTSHEET

# Interior PH-BSI-HC-RFC12

Front View



Side View



115VAC/60Hz/1PH  
NEMA-5-15P

Compartment	Cu. Ft	Defrost	Door	Int Door	Shelves	Interior Dim.			Refrigerant	H.P.	Amps	Weight
						W"	D"	H"				
Freezer	1.7	Manual	1 Solid	0	2 Adj	17 <sup>3</sup> / <sub>4</sub>	16	13 <sup>7</sup> / <sub>8</sub>	R600a	<sup>1</sup> / <sub>8</sub>	1	219 lbs.
Refrigerator	10.5	Cycle	1 Solid	0	6 Adj	19 <sup>7</sup> / <sub>8</sub>	18 <sup>3</sup> / <sub>8</sub>	53 <sup>1</sup> / <sub>2</sub>	R600a	<sup>1</sup> / <sub>3</sub>	2.3	

Note: Interior dimensions are estimates and subject to change without notice