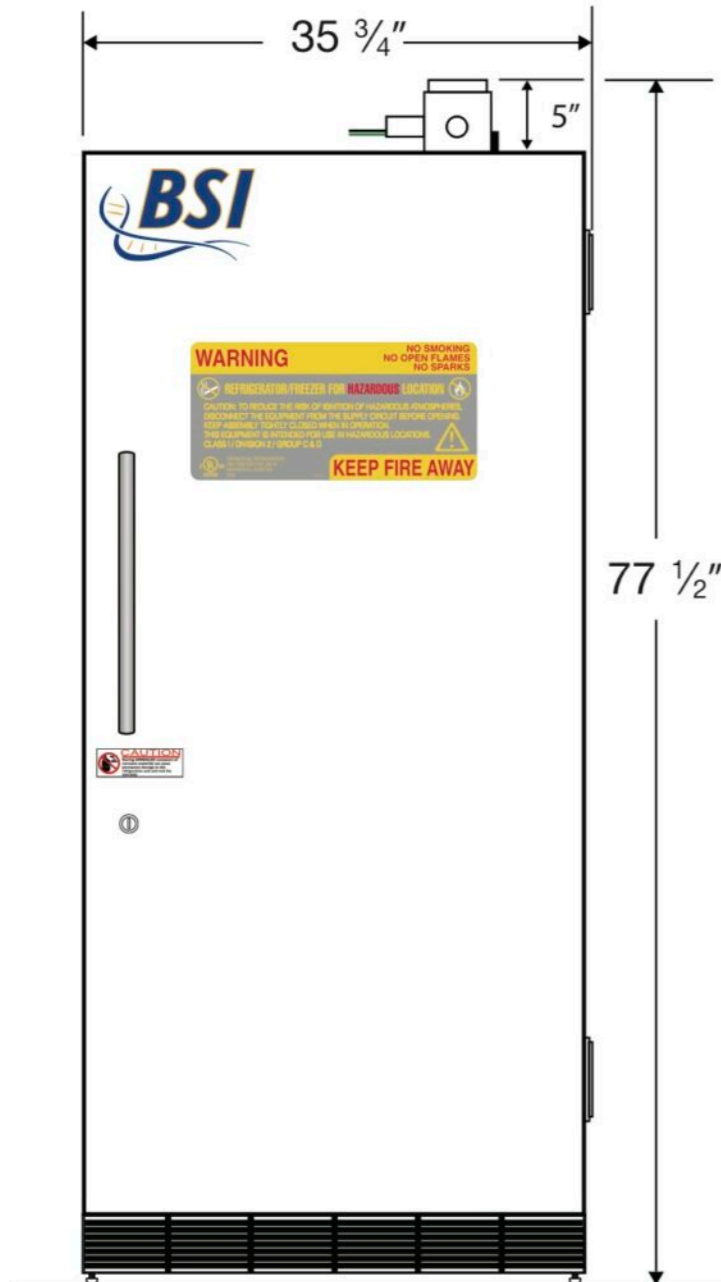




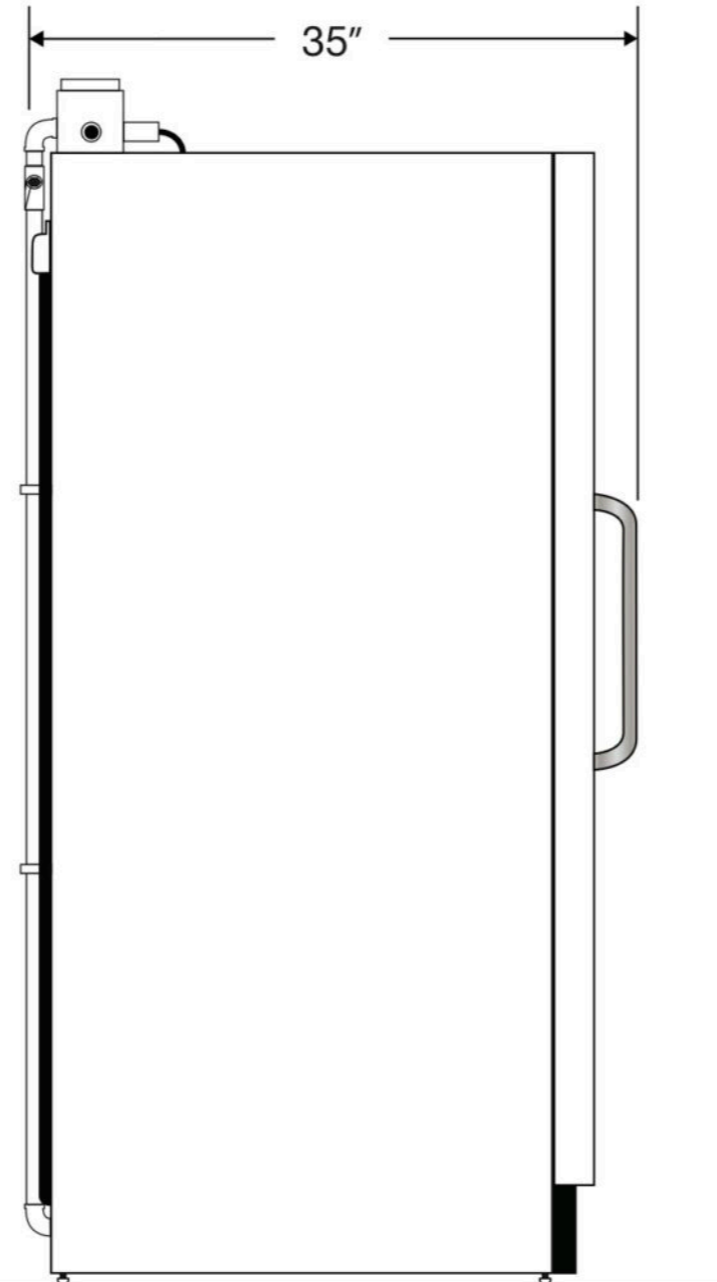
Exterior BSI-EFS-30

CUTSHEET

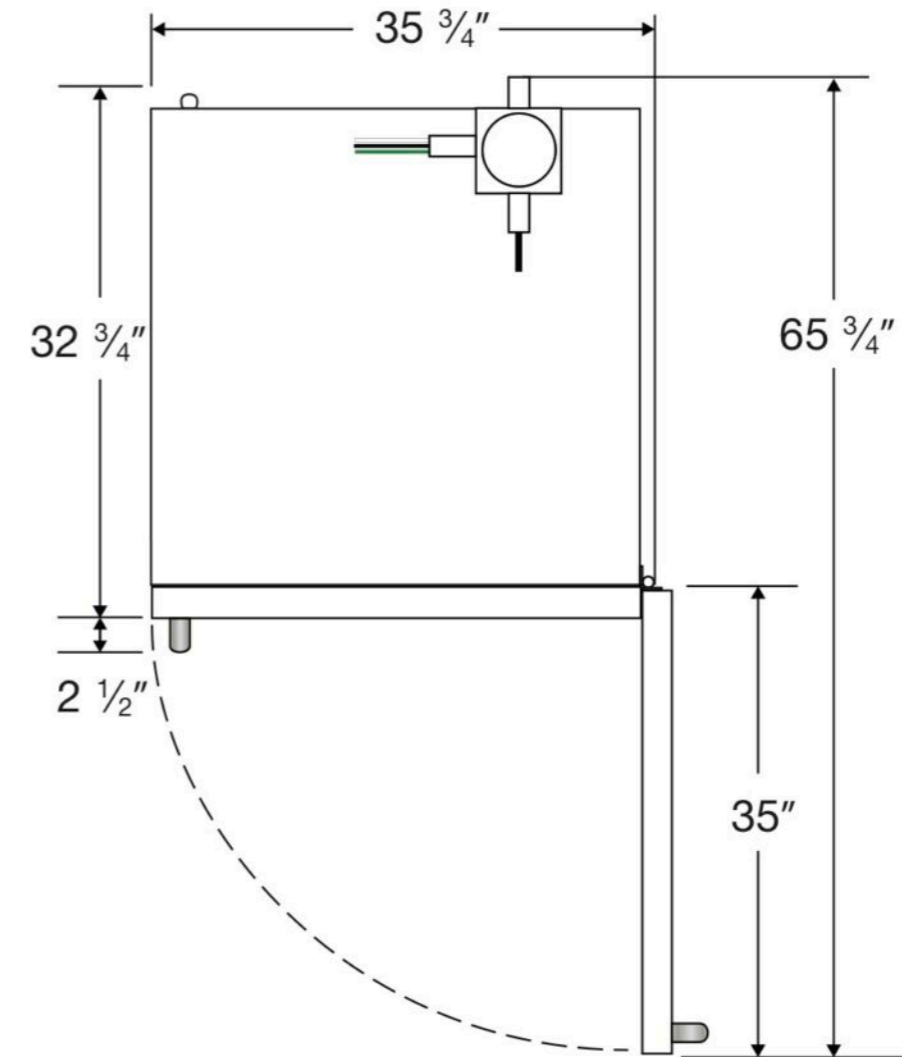
Front View



Side View



Top View



Factory Sealed Wires Only

Cu. Ft	Defrost	Door	Int Door	Shelves	W"	D"	H"	Refrigerant	H.P.	Amps	Weight
30	Manual	1 Solid	0	2 Adj/3 Fixed	35 3/4	35	77 1/2	R404a	1/3	6	330 lbs.