



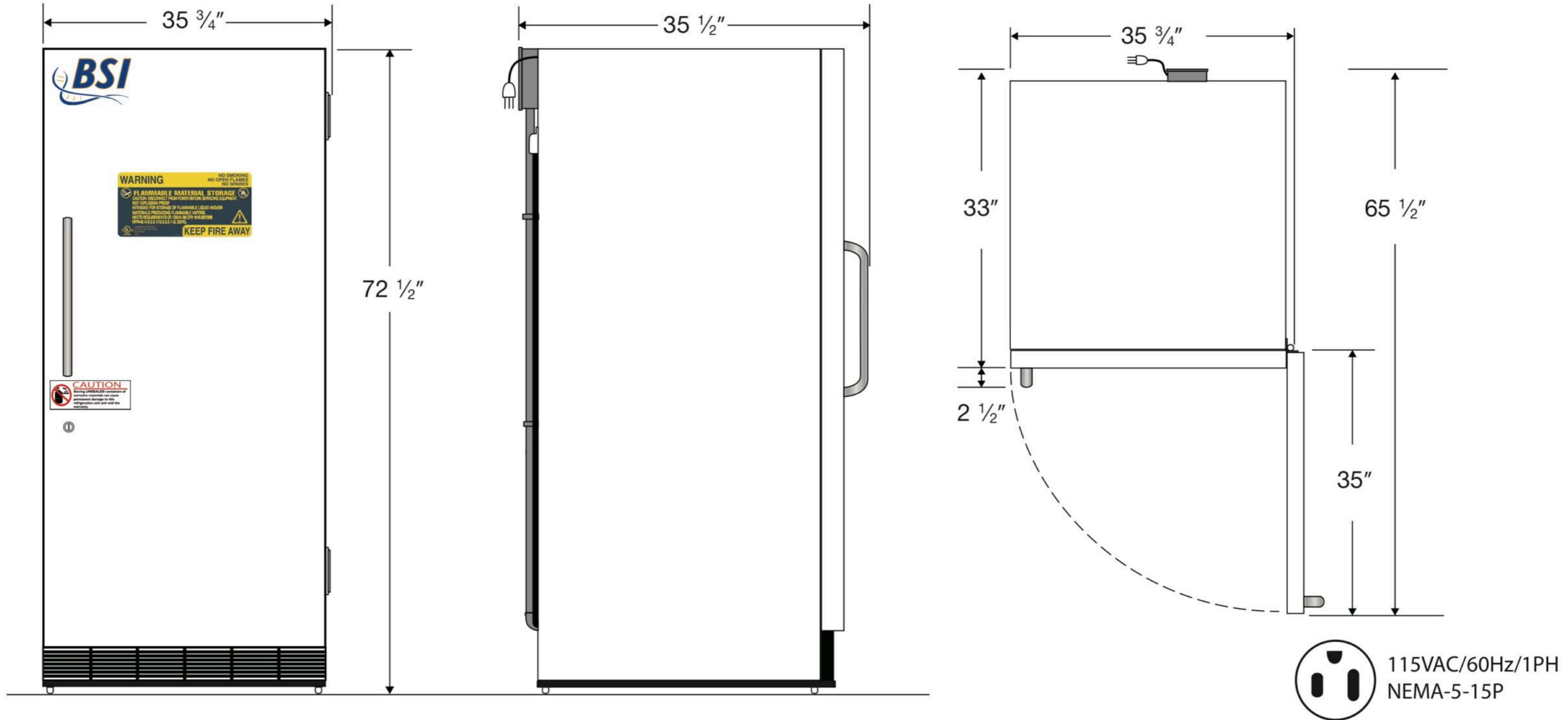
# Exterior BSI-FFS-30

## CUTSHEET

Front View

Side View

Top View



Cu. Ft	Defrost	Door	Int Door	Shelves	W"	D"	H"	Refrigerant	H.P.	Amps	Weight
30	Manual	1 Solid	0	2 Adj/3 Fixed	35 3/4	35 1/2	72 1/2	R404a	1/3	6	318 lbs.