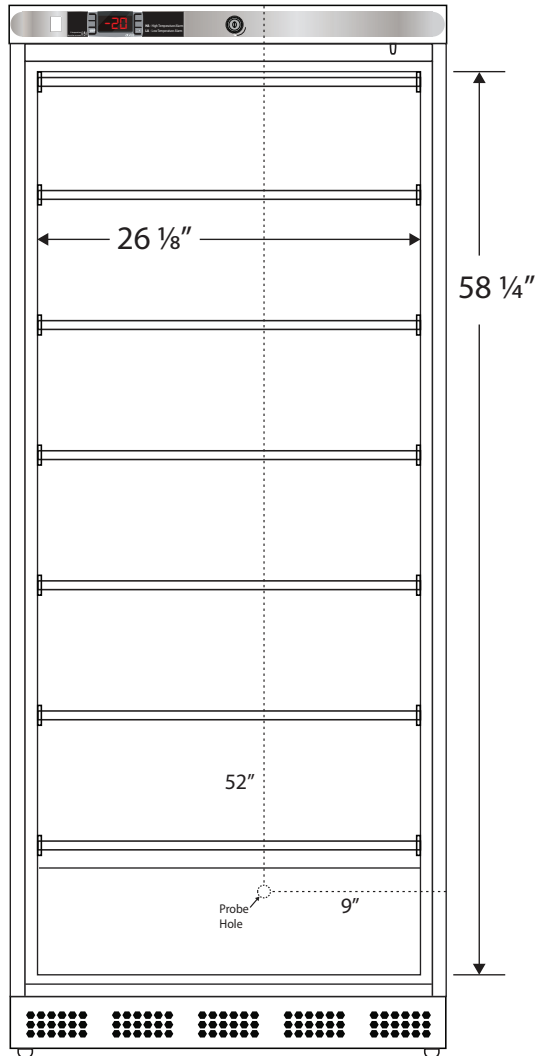
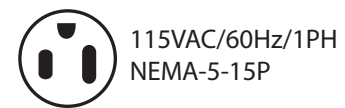
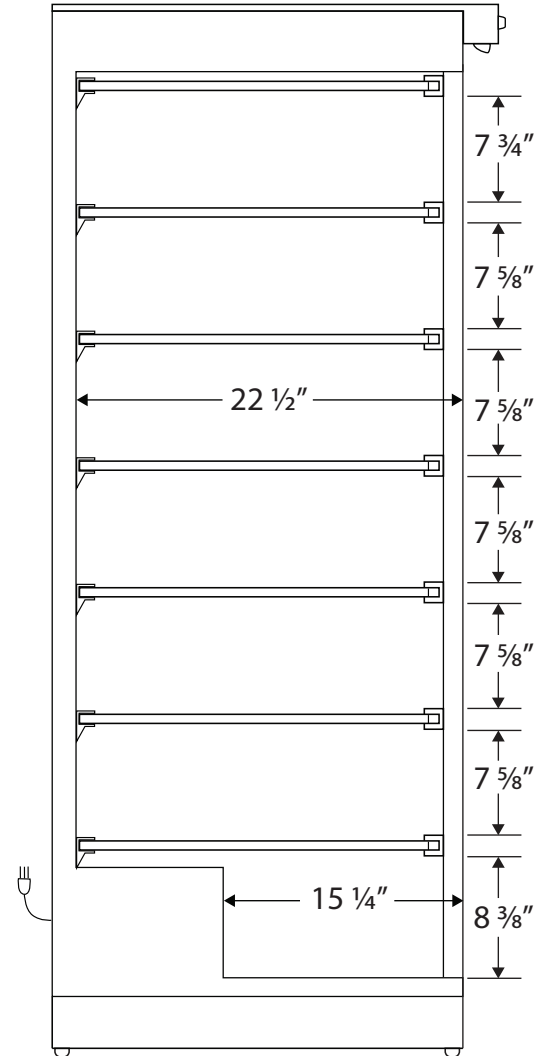


Interior BSI-HC-FFP-17

Front View



Side View



Cu. Ft	Defrost	Door	Int Door	Shelves	Interior Dim.			Refrigerant	H.P.	Amps	Weight
					W"	D"	H"				
17	Manual	1 Solid	0	6 Fixed	26 1/8	22 1/2	58 1/4	R290	1/2	6	190 lbs.

Note: Interior dimensions are estimates and subject to change without notice