



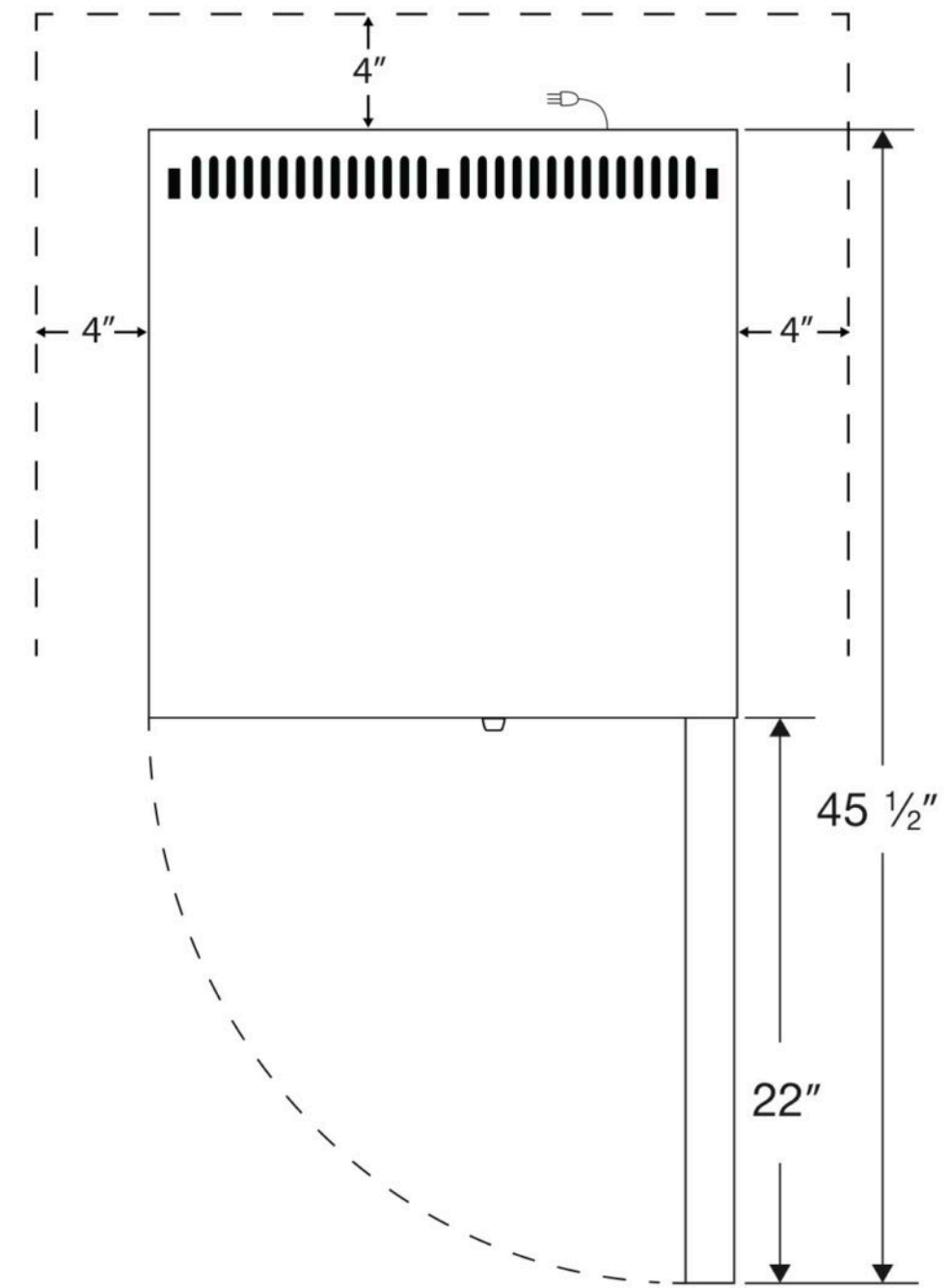
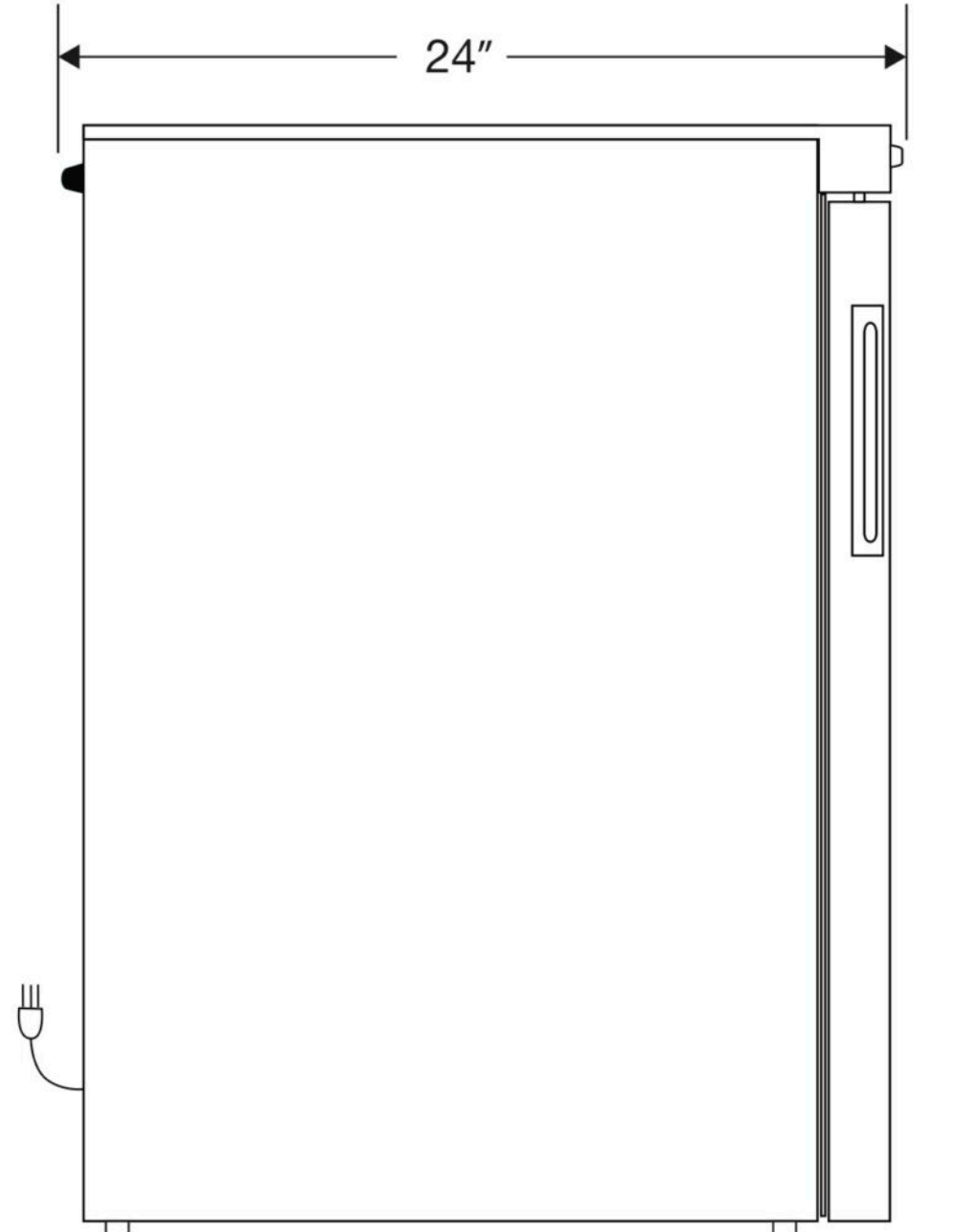
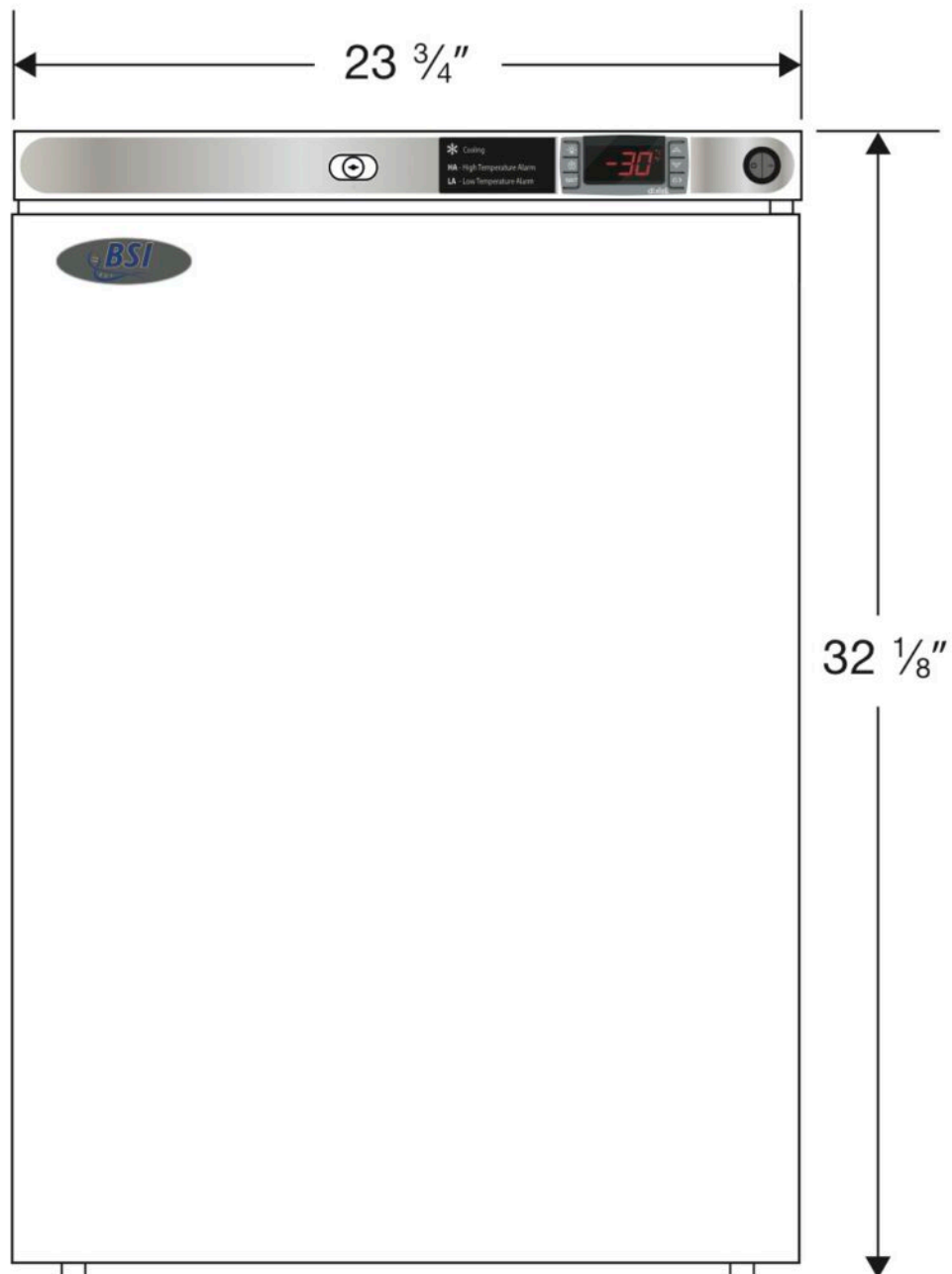
CUTSHEET

Exterior  
BSI-HC-UCFS-0430

Front View

Side View

Top View



**NOTE: Ventilation Requirements – Minimum 4" clearance on sides and back**

115VAC/60Hz/1PH  
NEMA-5-15P

Cu. Ft	Defrost	Door	Int Door	Shelves	W"	D"	H"	Refrigerant	H.P.	Amps	Weight
4	Manual	1 Solid	0	3 Adj +Footed Bottom	23 3/4	24	32 1/8	R134a	1/4	2.2	93 lbs.