



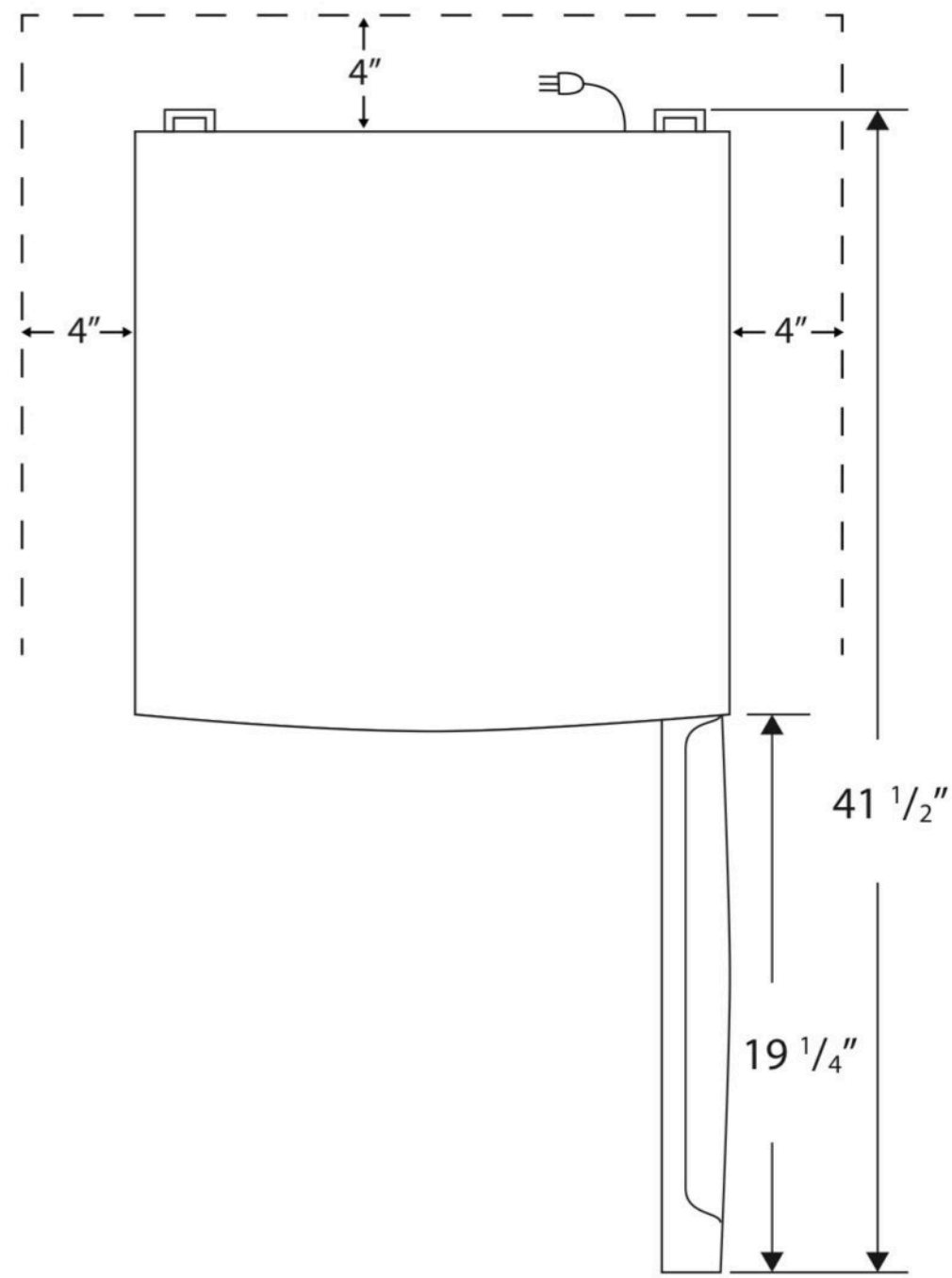
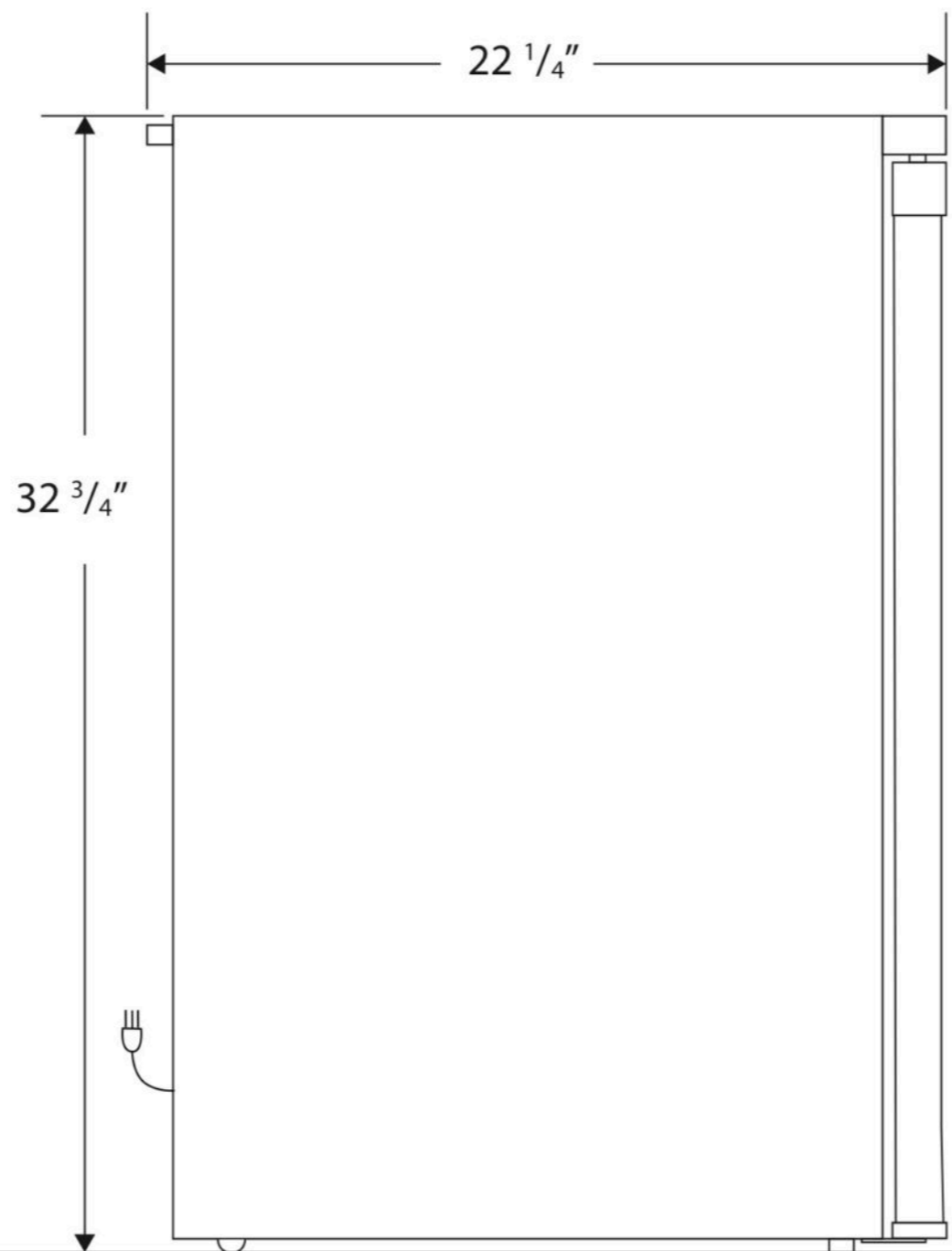
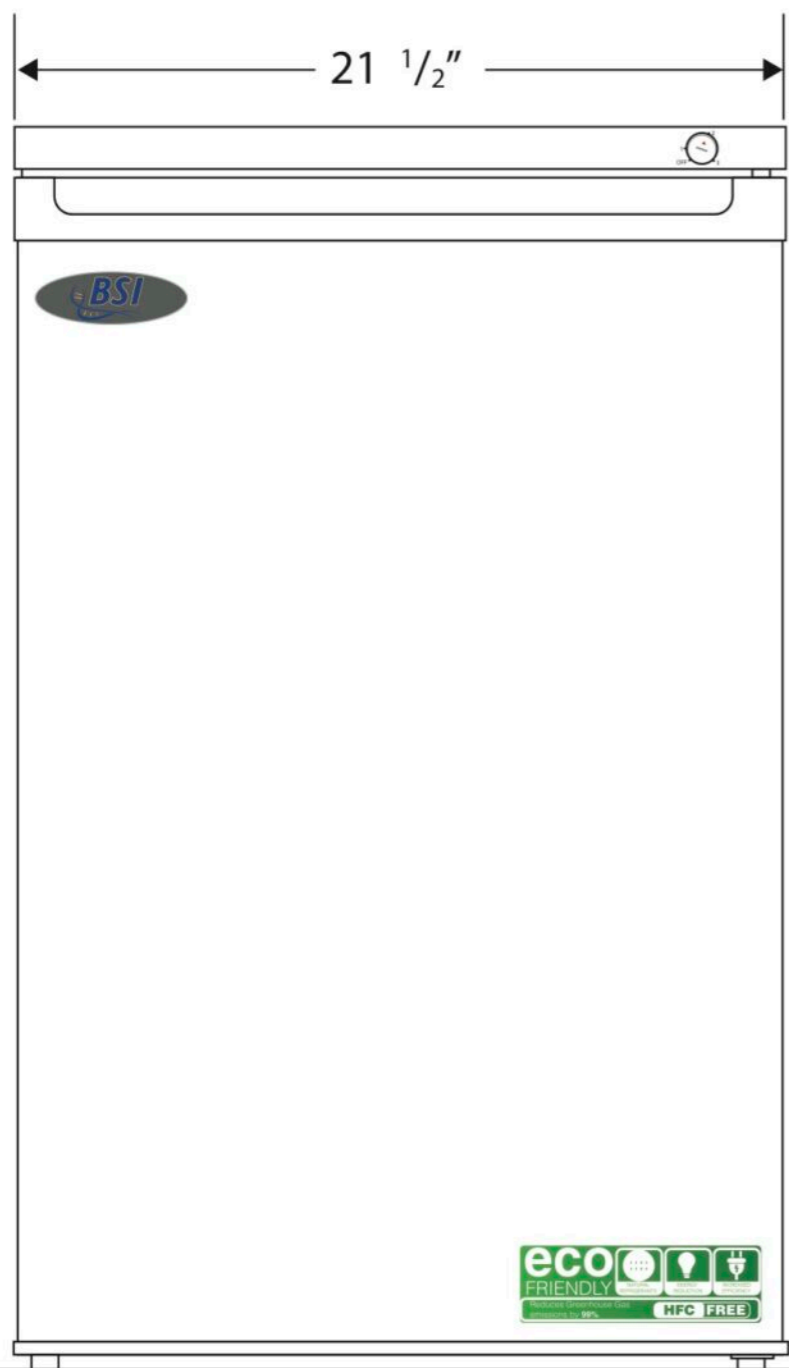
CUTSHEET

Exterior
BSI-HC-UCFS-0420W

Front View

Side View

Top View



NOTE: Ventilation Requirements – Minimum 4" clearance on sides and back

115VAC/60Hz/1PH
NEMA-5-15P

Cu. Ft	Defrost	Door	Int Door	Shelves	W"	D"	H"	Refrigerant	H.P.	Amps	Weight
4	Manual	1 Solid	0	2 Fixed	21 1/2	22 1/4	32 3/4	R600a	1/7	.90	67 lbs.