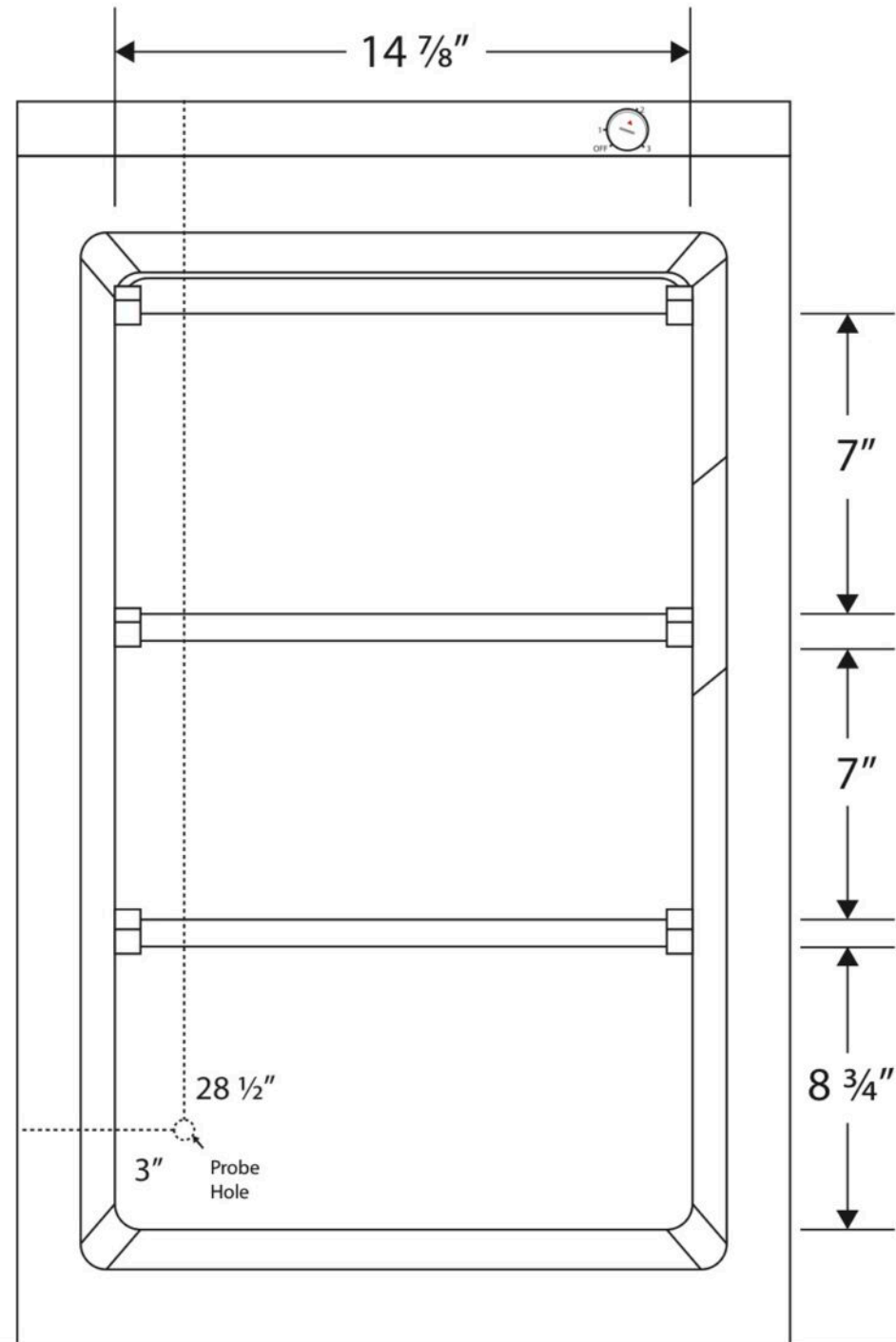




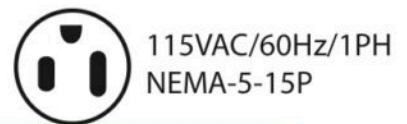
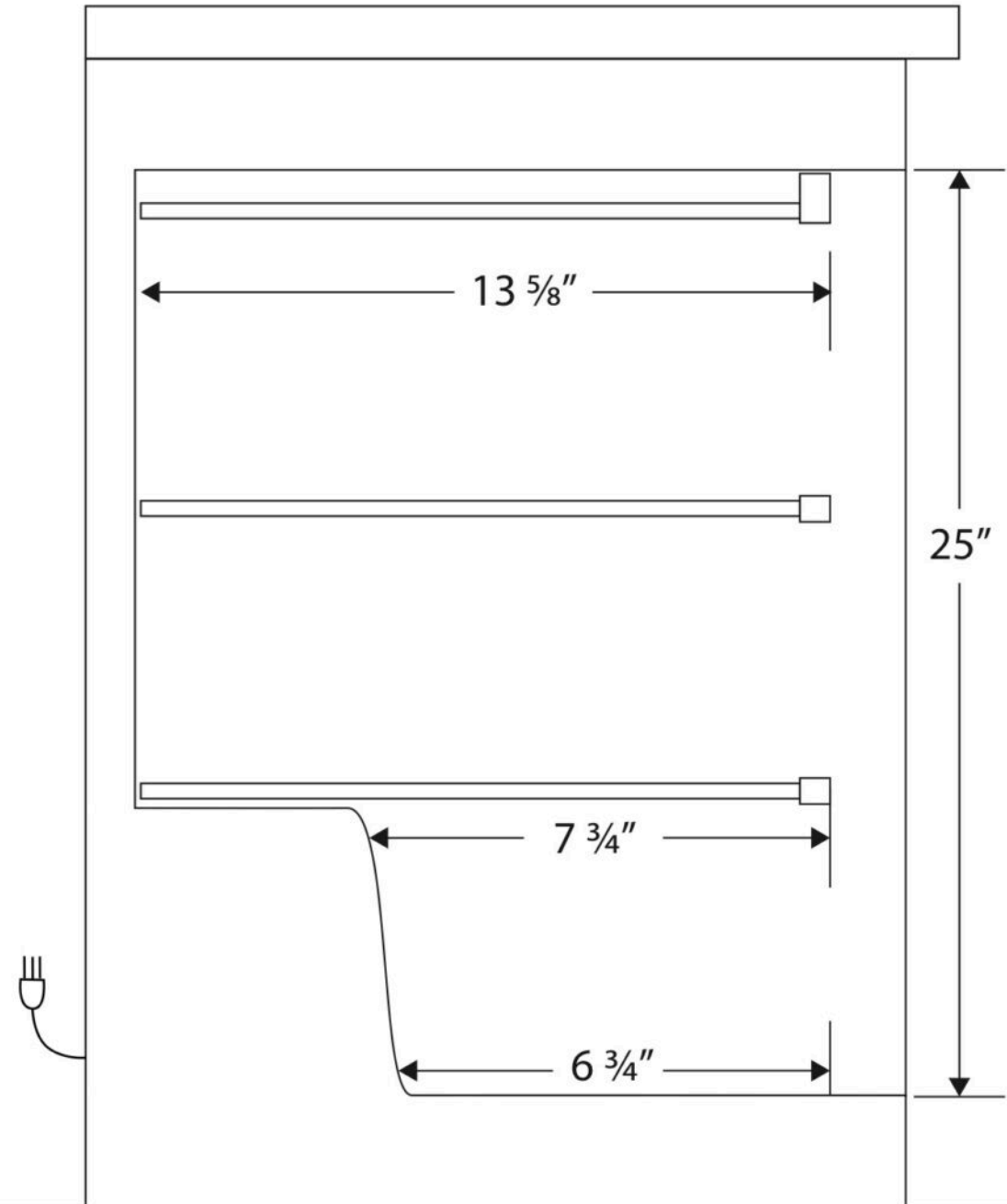
Interior LRP-HC-UCFS-0420W

CUTSHEET

Front View



Side View



Cu. Ft	Defrost	Door	Int Door	Shelves	Interior Dim.			Refrigerant	H.P.	Amps	Weight
					W"	D"	H"				
4	Manual	1 Solid	0	2 Fixed	14 ⁷ / ₈	13 ⁵ / ₈	25	R600a	1/7	.90	67 lbs.

Note: Interior dimensions are estimates and subject to change without notice