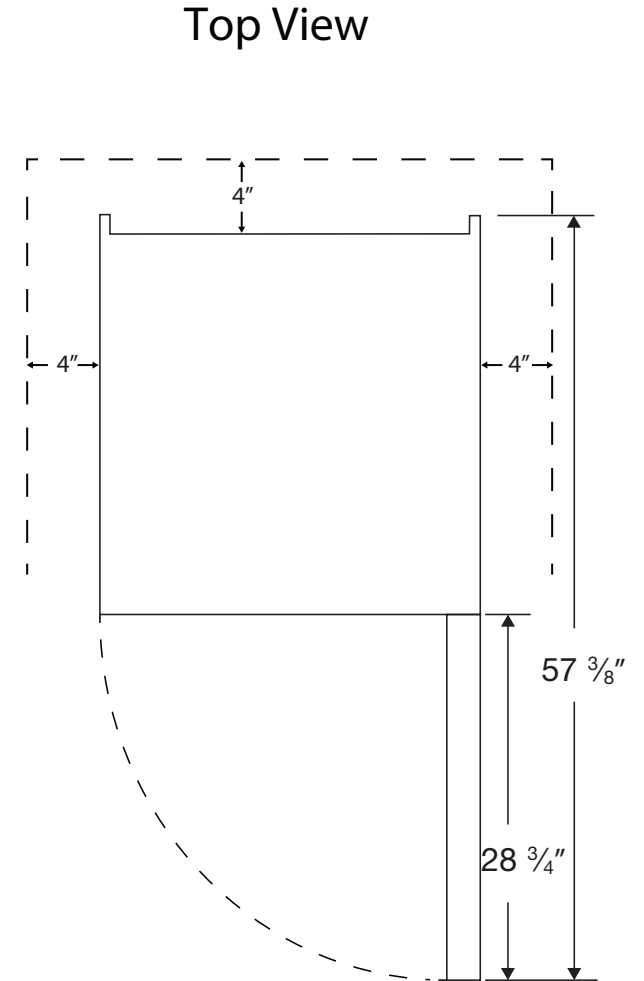
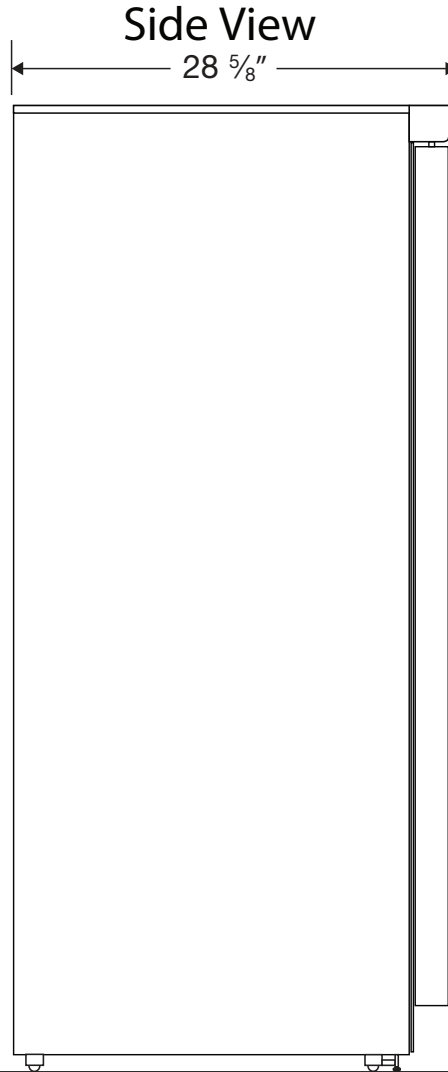
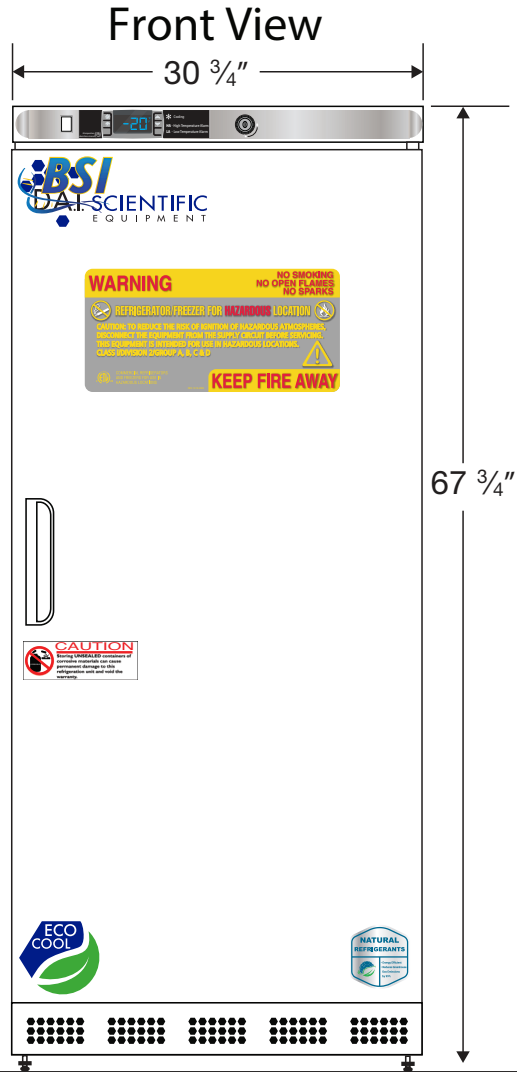


# Exterior BSI-HC-EFP-17



**NOTE: Ventilation Requirements – Minimum 4" clearance on sides and back**

Factory Sealed Wires Only

Cu. Ft	Defrost	Door	Int Door	Shelves	W"	D"	H"	Refrigerant	H.P.	Amps	Weight
17	Manual	1 Solid	0	6 Fixed	30 3/4	28 5/8	67 3/4	R290	1/2	6	190 lbs.