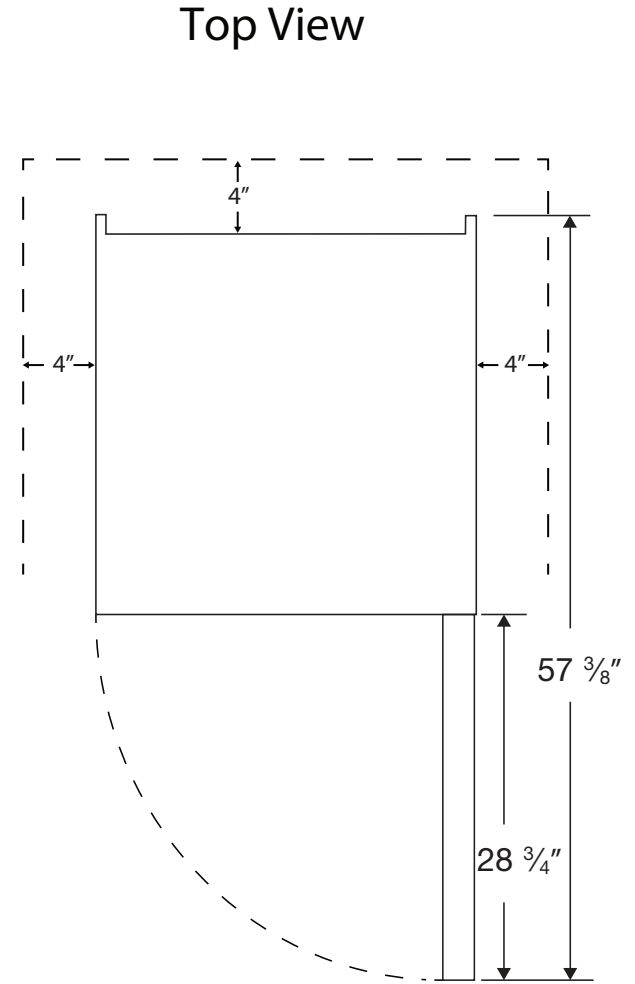
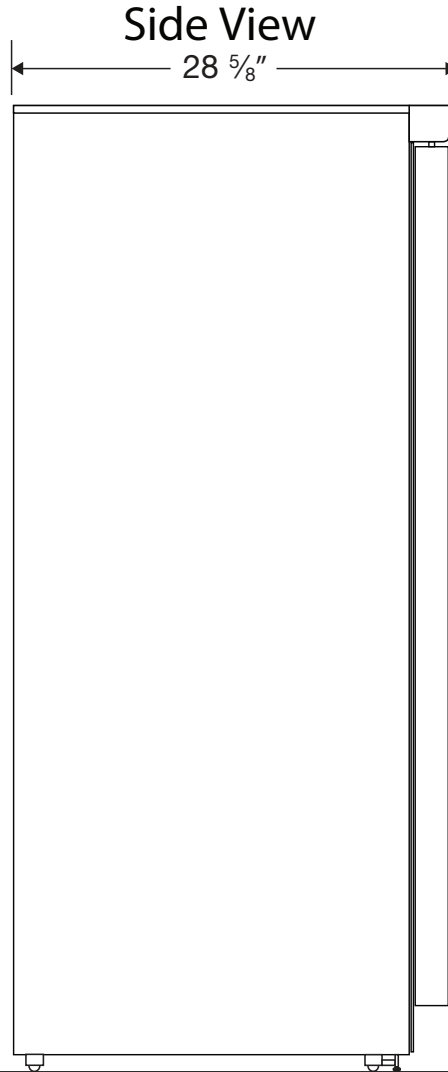
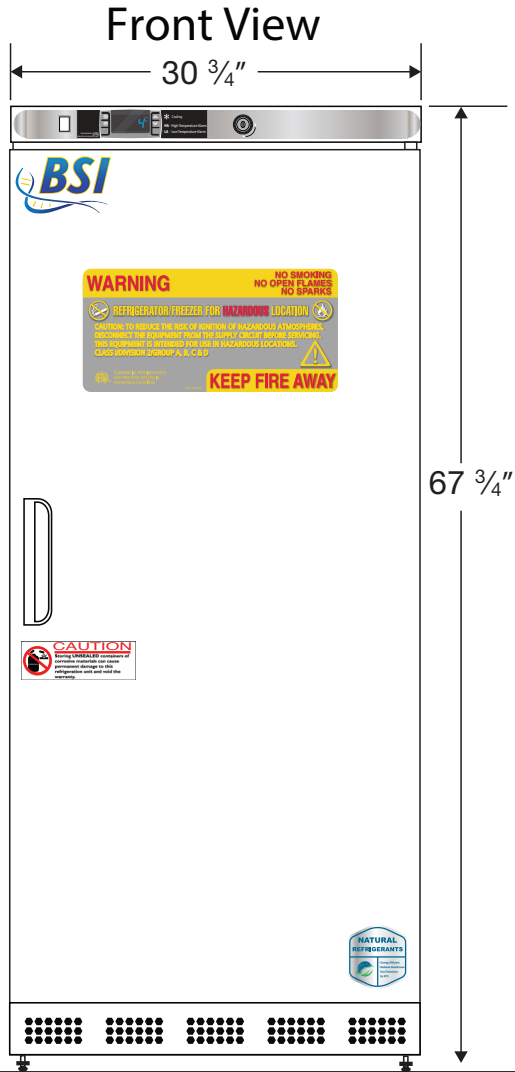




CUTSHEET

Exterior BSI-HC-ERP-17



NOTE: Ventilation Requirements – Minimum 4" clearance on sides and back

Factory Sealed Wires Only

Cu. Ft	Defrost	Door	Int Door	Shelves	W"	D"	H"	Refrigerant	H.P.	Amps	Weight
17	Cycle	1 Solid	0	5 Adj.	30 3/4	28 5/8	67 3/4	R600a	1/4	3	210 lbs.