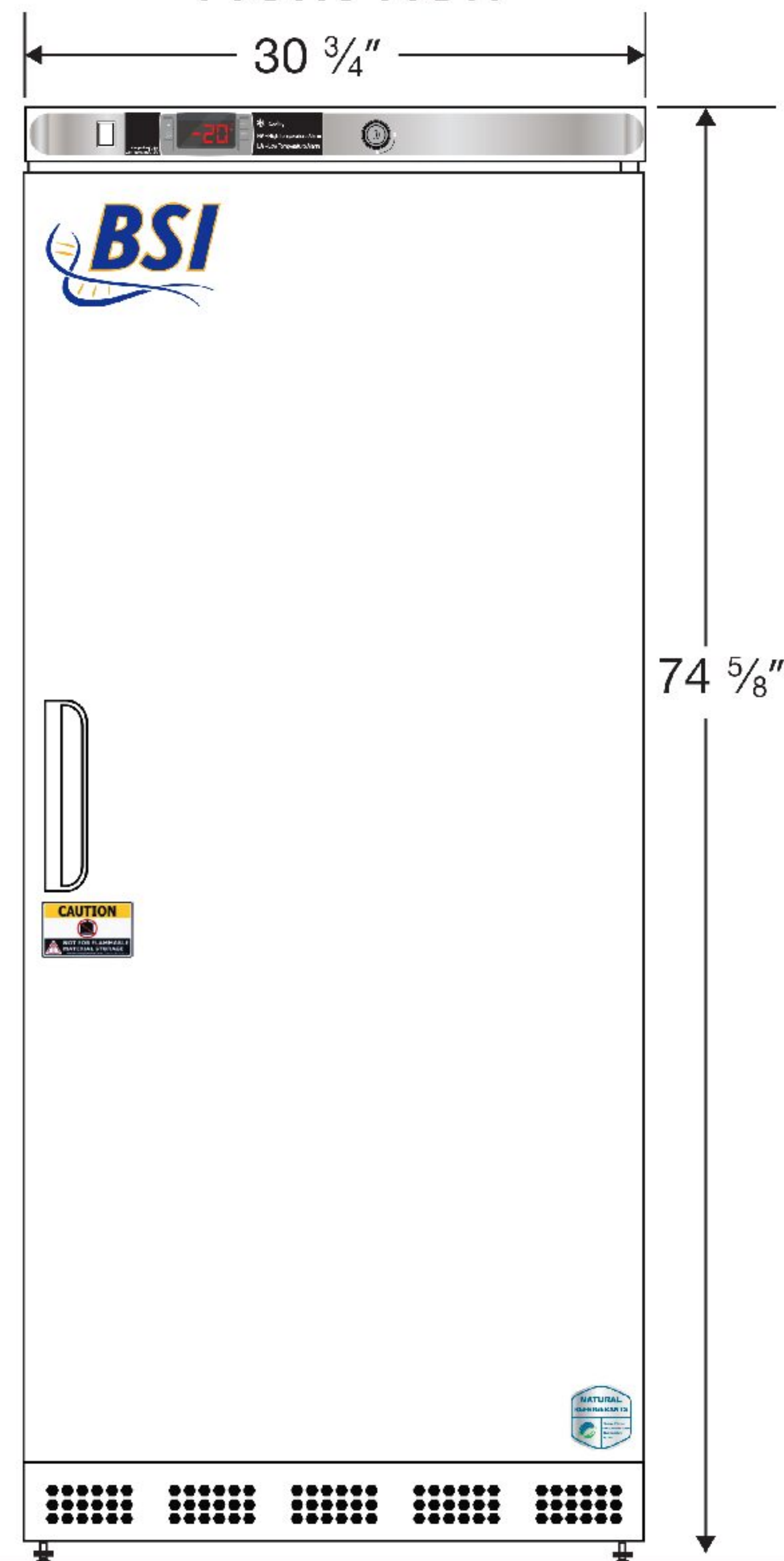




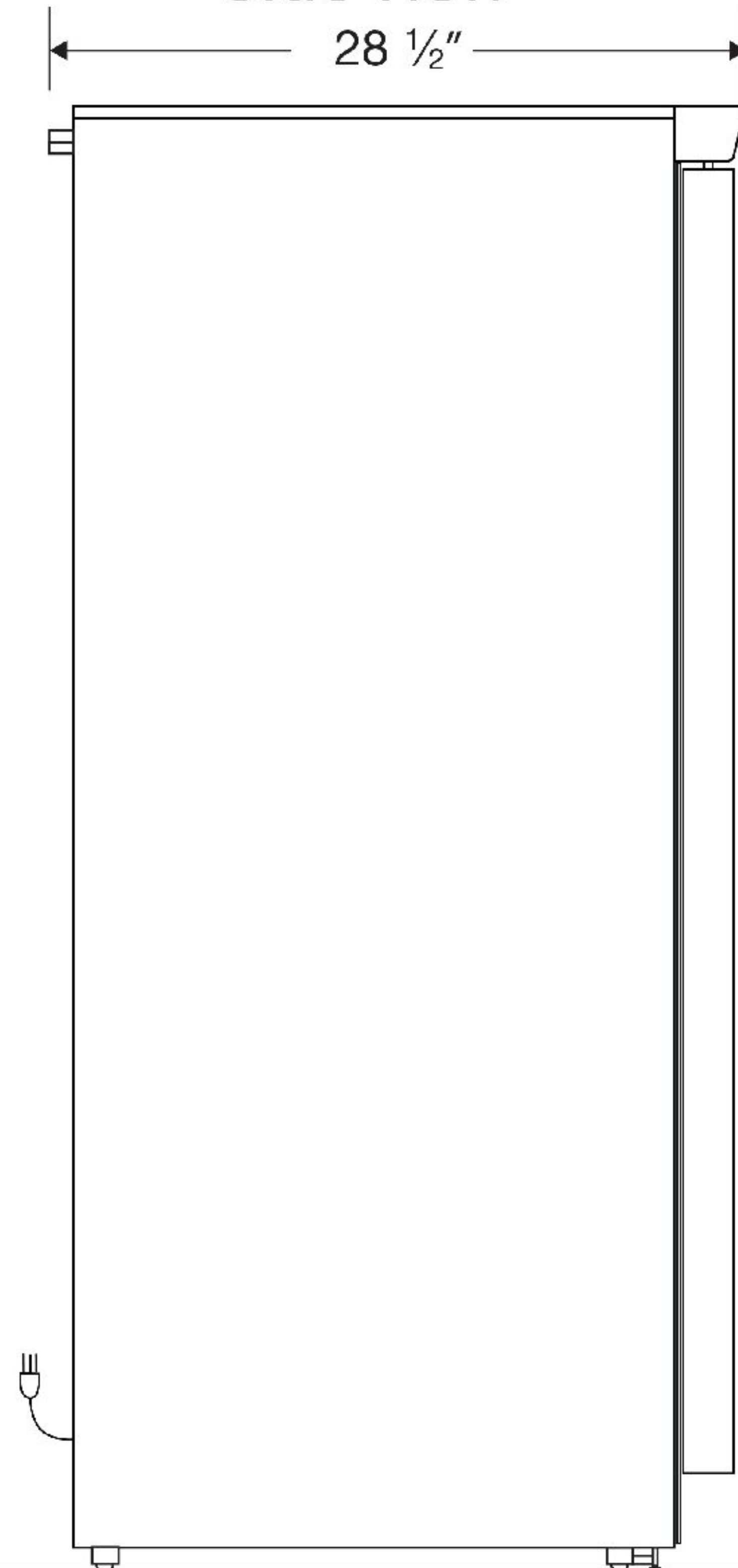
CUTSHEET

# Exterior BSI-HC-MFP-20

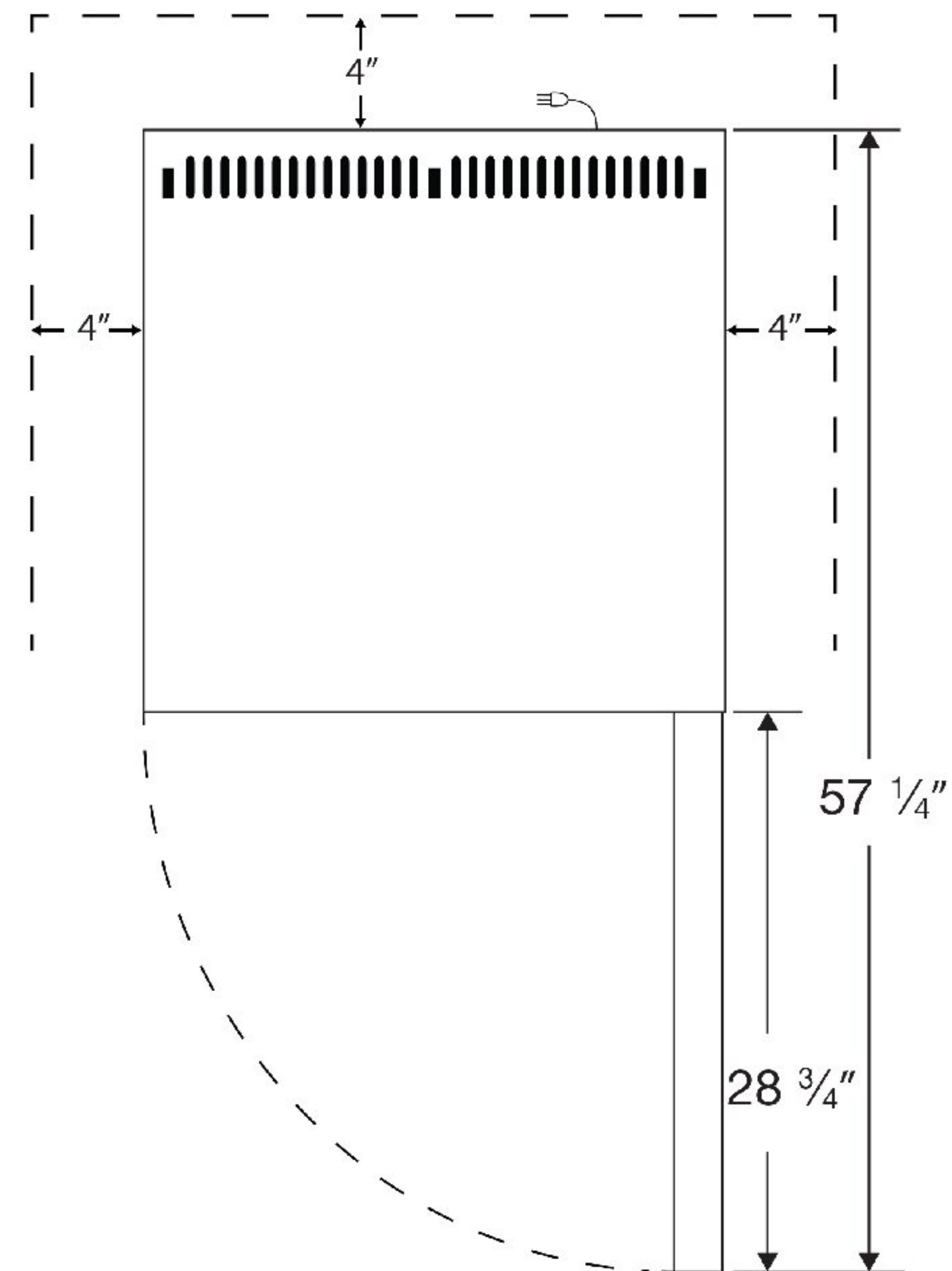
Front View



Side View



Top View



**NOTE: Ventilation Requirements – Minimum 4" clearance on sides and back**



115VAC/60Hz/1PH  
NEMA-5-15P

Cu. Ft	Defrost	Door	Int Door	Shelves	W"	D"	H"	Refrigerant	H.P.	Amps	Weight
20	Manual	1 Solid	0	6 Fixed	$30 \frac{3}{4}$	$28 \frac{1}{2}$	$74 \frac{5}{8}$	R290	$\frac{1}{2}$	1.96	207 lbs.