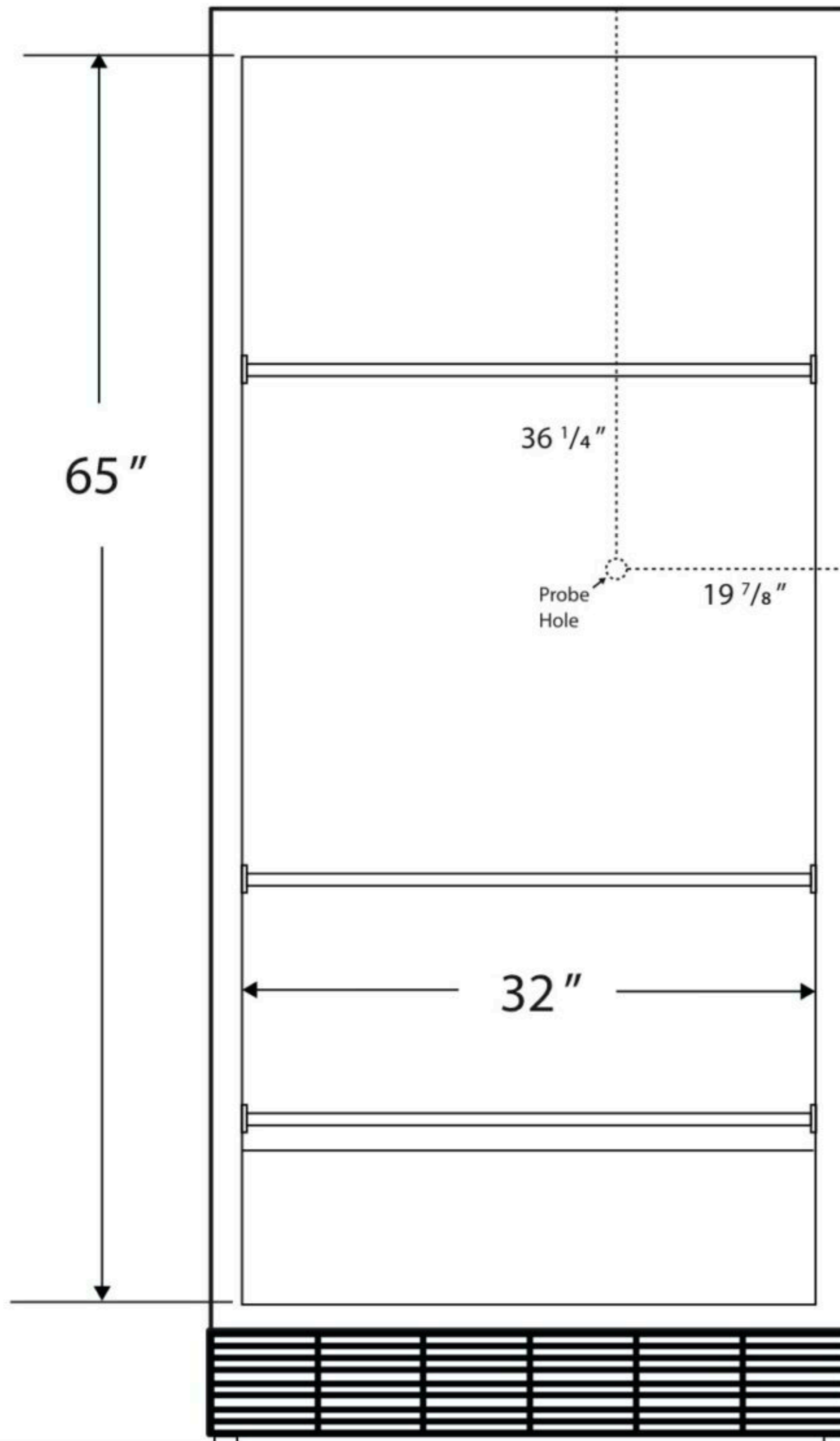




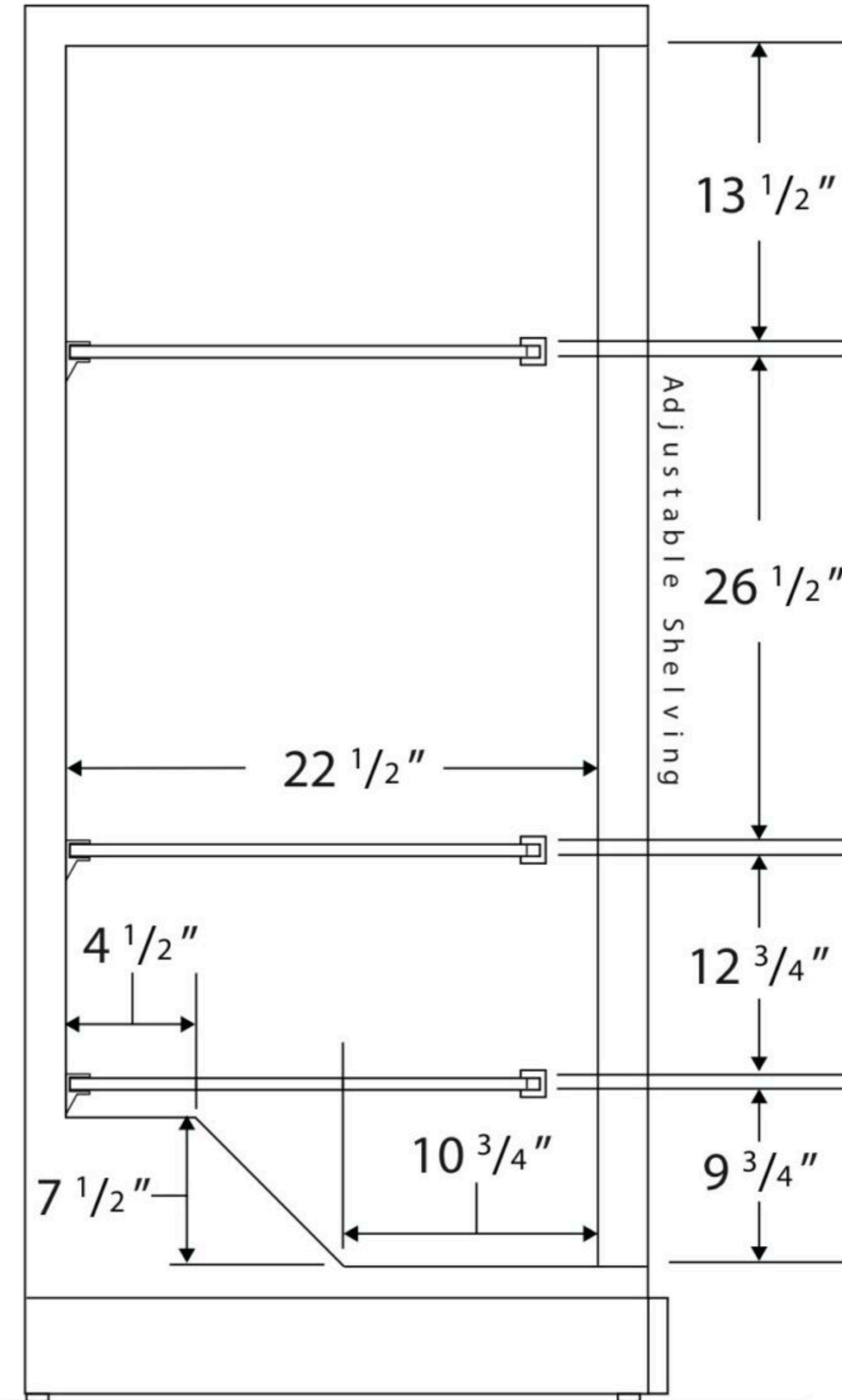
CUTSHEET

# Interior BSI-MFS-30

Front View



Side View



115VAC/60Hz/1PH  
NEMA-5-15P

Cu. Ft	Defrost	Door	Int Door	Shelves	Interior Dim.			Refrigerant	H.P.	Amps	Weight
					W"	D"	H"				
30	Manual	1 Solid	0	3 Fixed/2 Adj	32	22 1/2	65	R404a	1/3	6	305 lbs.

Note: Interior dimensions are estimates and subject to change without notice