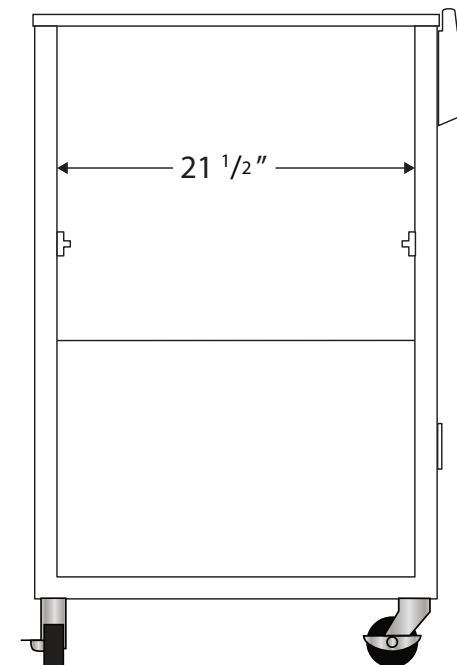
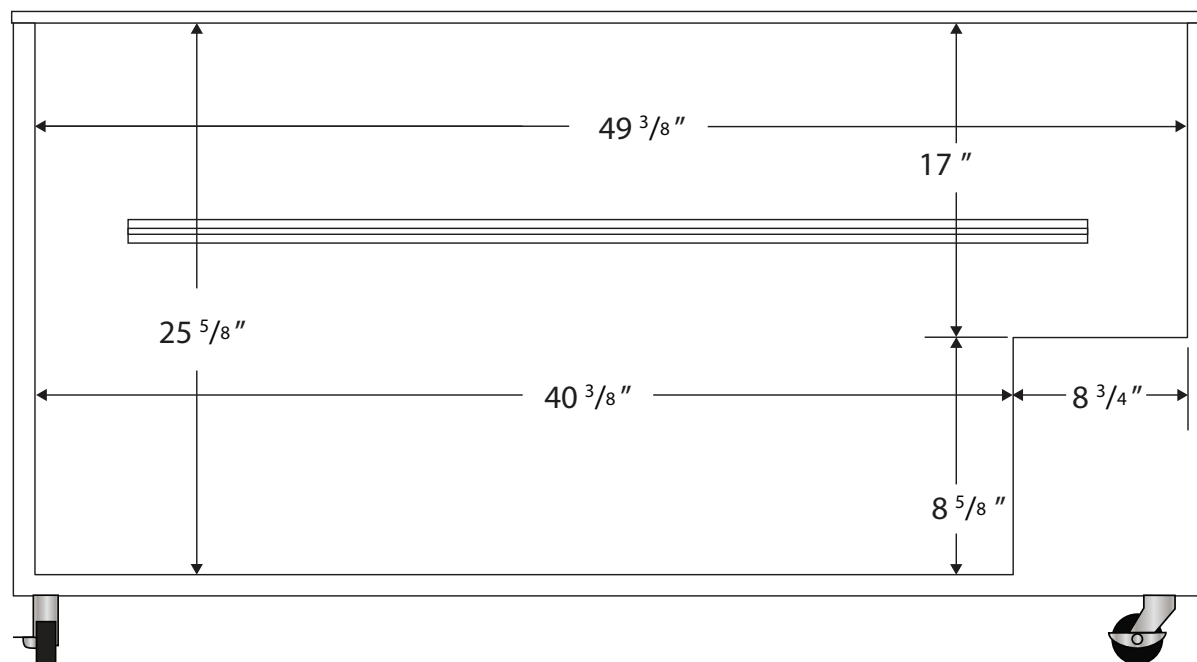


Interior BSI-MFP-15-C

Front View

Side View



115VAC/60Hz/1PH
NEMA-5-15P

| Cu. Ft | Defrost | Door | Int Door | Shelves | Interior Dim. | | | Refrigerant | H.P. | Amps | Weight |
|--------|---------|---------|----------|-----------|--------------------------------|--------------------------------|--------------------------------|-------------|-----------------------------|------|----------|
| | | | | | W" | D" | H" | | | | |
| 15 | Manual | 1 Solid | 0 | 2 Baskets | 49 ³ / ₈ | 21 ¹ / ₂ | 25 ⁵ / ₈ | R600a | ¹ / ₄ | 5 | 137 lbs. |

Note: Interior dimensions are estimates and subject to change without notice