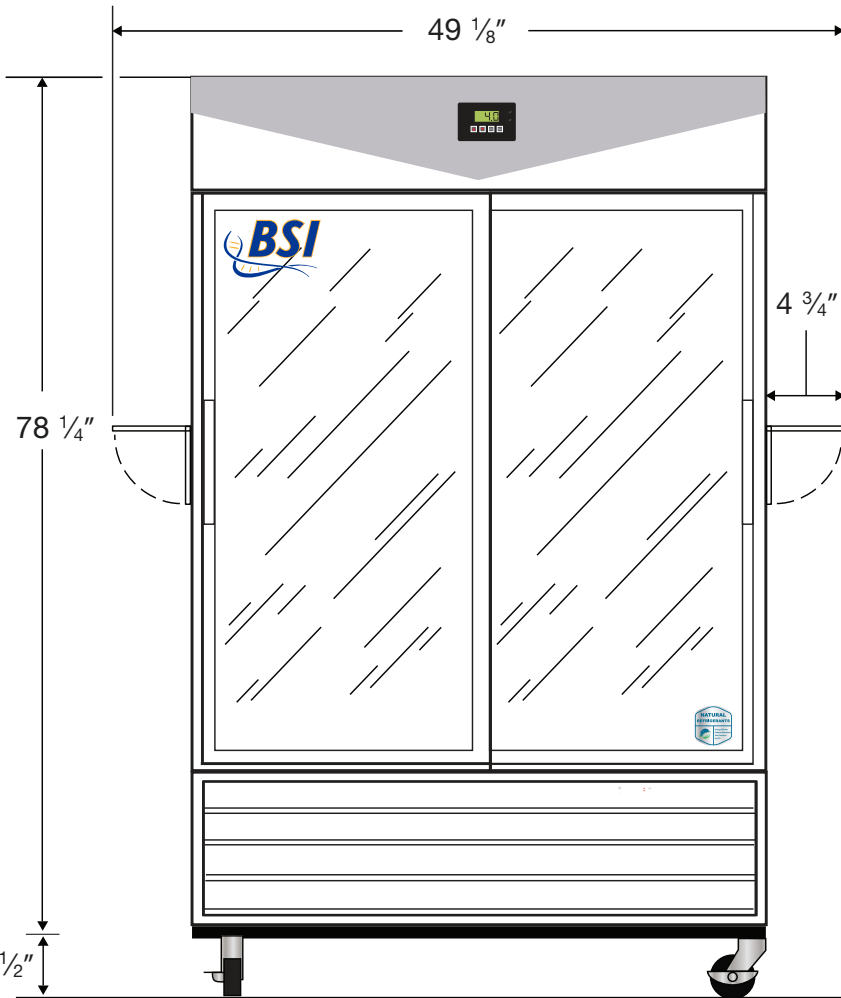




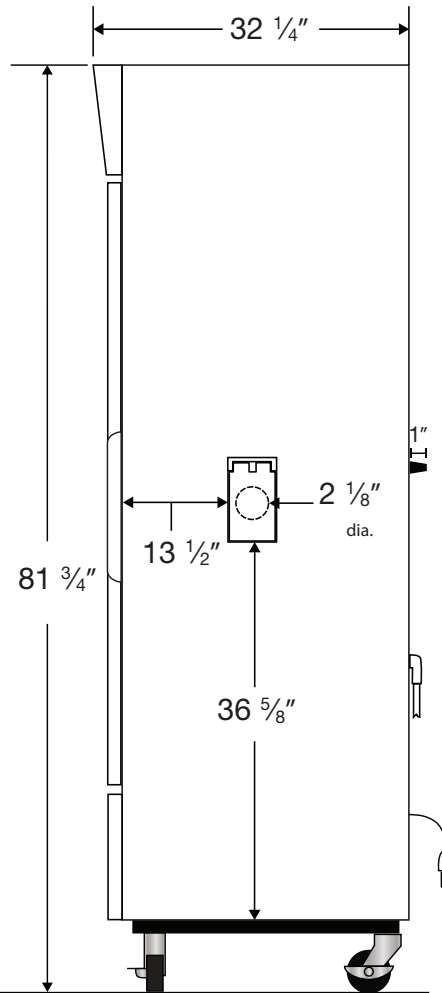
Exterior BSI-HC-CP-33

CUTSHEET

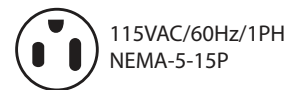
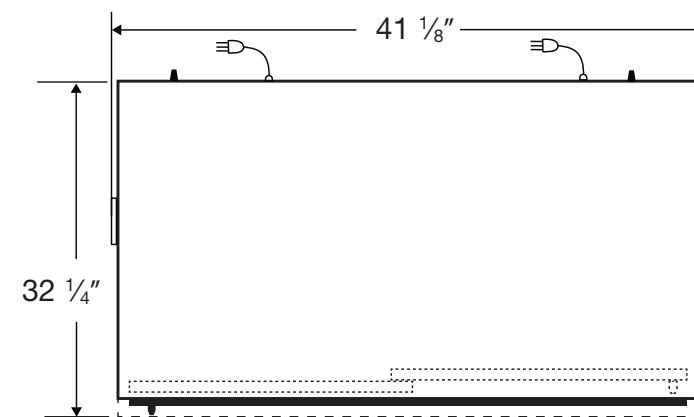
Front View



Side View



Top View



Cu. Ft	Defrost	Door	Int Door	Shelves	W"	D"	H"	Refrigerant	H.P.	Amps	Weight
33	Cycle	2 Glass (Sliding)	0	8 Adj	41 1/8	32 1/4	81 3/4	R290	1/4	4.5	369 lbs.