

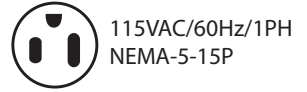
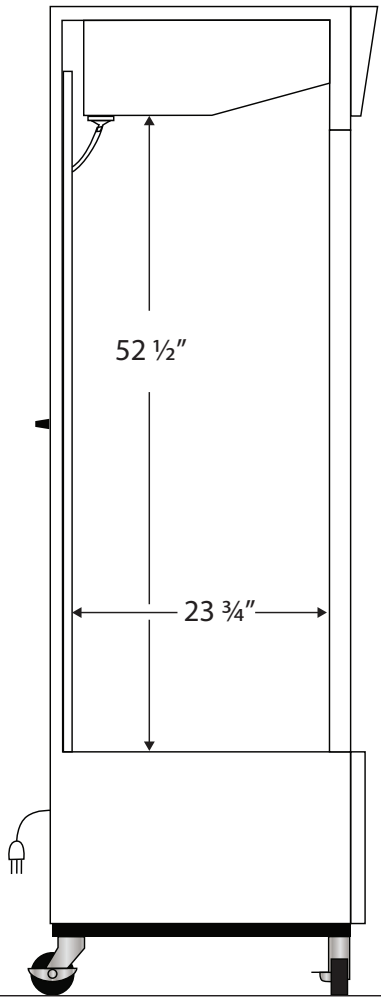
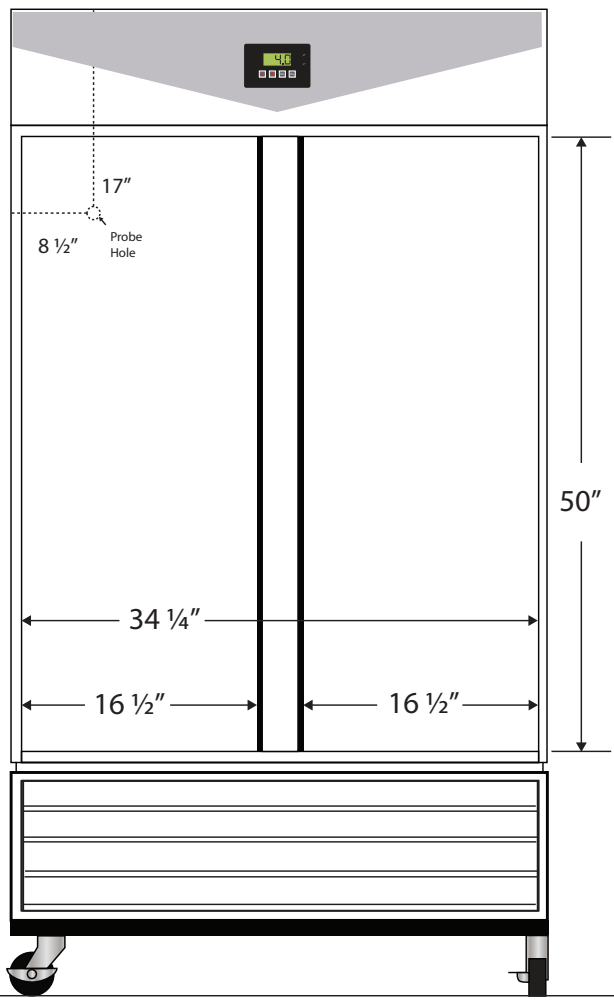


CUTSHEET

Interior
BSI-HC-LP-33

Front View

Side View



| Cu. Ft | Defrost | Door | Int Door | Shelves | Interior Dim. | | | Refrigerant | H.P. | Amps | Weight |
|--------|---------|-------------------|----------|---------|---------------|--------|--------|-------------|------|------|----------|
| | | | | | W" | D" | H" | | | | |
| 33 | Cycle | 2 Glass (Sliding) | 0 | 8 Adj | 34 1/4 | 23 3/4 | 52 1/2 | R290 | 1/4 | 4.5 | 369 lbs. |

Note: Interior dimensions are estimates and subject to change without notice