



## BSI-HC-MFP-14-TS

### Product Data Sheet

14 Cu. Ft. Prime Touch Series Manual Defrost Freezer

#### Images



#### Product Description

Manual defrost laboratory freezers offer professional cold storage for scientific and industrial settings. Units come equipped with temperature alarms, keyed door locks, probe access, and precise temperature monitoring through microprocessor control.

Our Prime Touch Series freezers showcase elite features including state-of-the-art touchscreen controllers, advanced alarms and data logging capabilities and unparalleled temperature control. All units run on natural, hydrocarbon refrigerant for environmental health and energy efficiency.

#### Certifications



#### General Description and Application

|                                  |                                                                                                                                                                                                                            |
|----------------------------------|----------------------------------------------------------------------------------------------------------------------------------------------------------------------------------------------------------------------------|
| Storage capacity (cu. ft)        | 14                                                                                                                                                                                                                         |
| Door                             | Solid, right hinged, magnetic door gasket for positive seal                                                                                                                                                                |
| Shelves                          | 6 Fixed                                                                                                                                                                                                                    |
| Freezer Compartments             | 7 Inner Doors                                                                                                                                                                                                              |
| Baskets                          | Non-applicable                                                                                                                                                                                                             |
| Mounting                         | Leveling Legs                                                                                                                                                                                                              |
| Interior lighting                | Non-applicable                                                                                                                                                                                                             |
| Airflow management               | Non-applicable                                                                                                                                                                                                             |
| External probe access            | Rear wall port (3/4") dia.                                                                                                                                                                                                 |
| Insulation                       | Cabinet is foamed-in-place with EPA compliant high density urethane foam                                                                                                                                                   |
| Exterior materials               | White powder coated steel                                                                                                                                                                                                  |
| Access Control                   | Keyed Door Lock                                                                                                                                                                                                            |
| General warranty                 | Three (3) year parts and labor warranty                                                                                                                                                                                    |
| Compressor Parts Warranty        | Five (5) year compressor parts warranty                                                                                                                                                                                    |
| Warranty Disclaimer              | Products require 4" of clearance around back and sides of the unit for proper ventilation - improper installation will void the warranty and will lead to temperature maintenance issues, overheating and possible failure |
| Product Weight (lbs)             | 200                                                                                                                                                                                                                        |
| Shipping Weight (lbs)            | 220                                                                                                                                                                                                                        |
| Rated Amperage                   | 3.5 Amps                                                                                                                                                                                                                   |
| Power Plug/Power Cord            | NEMA 5-15 Plug, conforms to UL471 requirements                                                                                                                                                                             |
| Facility Electrical Requirement  | 115V, 60 Hz                                                                                                                                                                                                                |
| Agency Listing and Certification | ETL Listed                                                                                                                                                                                                                 |

#### Refrigeration System

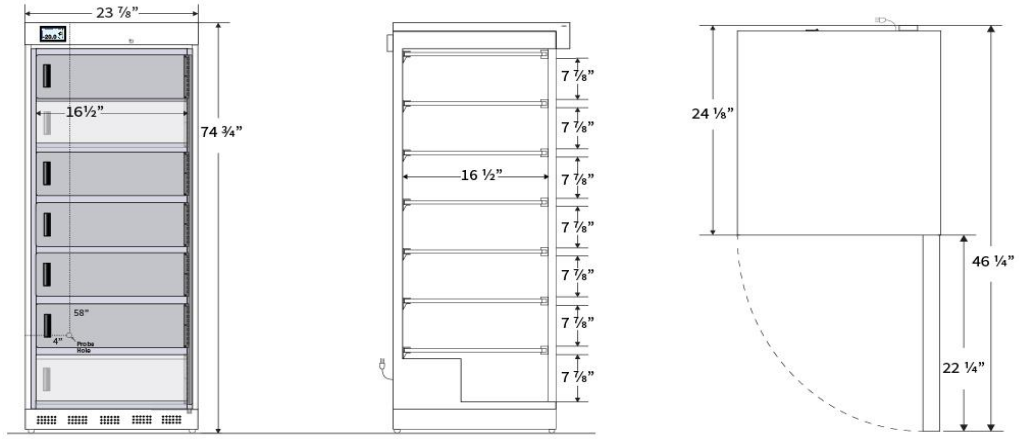
|             |        |
|-------------|--------|
| Refrigerant | R290   |
| Defrost     | Manual |

#### Controller, Configuration, Alarms and Monitoring

|                              |                                                                                                                                                                                                                                                                                       |
|------------------------------|---------------------------------------------------------------------------------------------------------------------------------------------------------------------------------------------------------------------------------------------------------------------------------------|
| Controller technology        | Microprocessor temperature controller with digital temperature display, °C/°F switchable                                                                                                                                                                                              |
| Display technology           | Touch screen digital temperature display with user friendly interface, real-time operational display clock, active temperature scale bar display, resettable 1-point min/max history, digital 24-hour temperature chart, and temperature data logging                                 |
| Adjustable Temperature Range | -15°C to -25°C                                                                                                                                                                                                                                                                        |
| External alarm connection    | State switching remote alarm contacts                                                                                                                                                                                                                                                 |
| Alarms                       | Adjustable alarm volume, Audible and visual high and low temperature alarms, sensor error alarm, power failure alarm, door ajar alarm, low battery alarm, alarm validation (audible, visual, and remote alarm), alarm mute with ring back, and customizable alarm time delay settings |
| Controller probe             | 2 Probes; 1 in air and 1 in sample bottle                                                                                                                                                                                                                                             |
| Disclaimers                  | Indoor use only, +18°C to +26°C (+65°F to +78°F), <70% RH<br><br>Defrosting of the unit will need to be performed periodically to prevent severe ice build-up<br><br>Specifications are subject to change                                                                             |

**Dimensions**

|          | Width (in.) | Depth (in.) | Height (in.)   | Door Swing (in.) | Total open Depth (in.) |
|----------|-------------|-------------|----------------|------------------|------------------------|
| Exterior | 23 7/8"     | 24 1/8"     | 74 3/4"        | 22 1/4"          | 46 1/4"                |
| Interior | 16 1/2"     | 16 1/2"     | Non-applicable |                  |                        |



**Contact**

Customer Service

866-674-7220

[info@bsilab.com](mailto:info@bsilab.com)