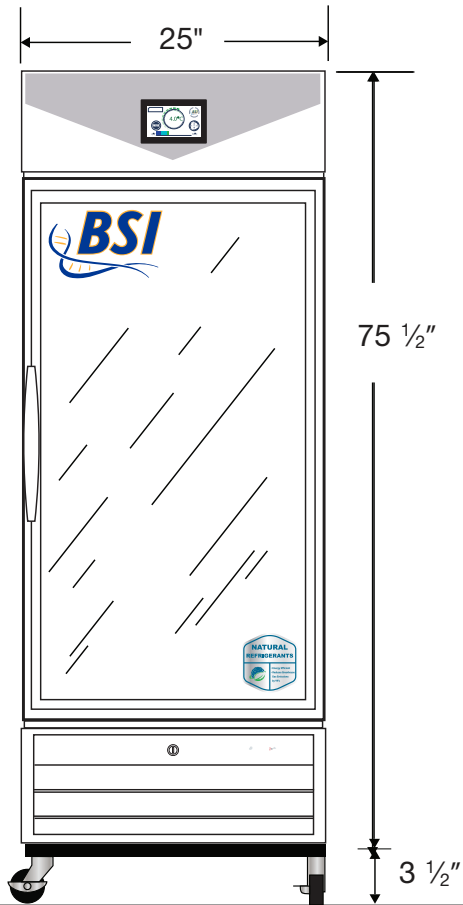




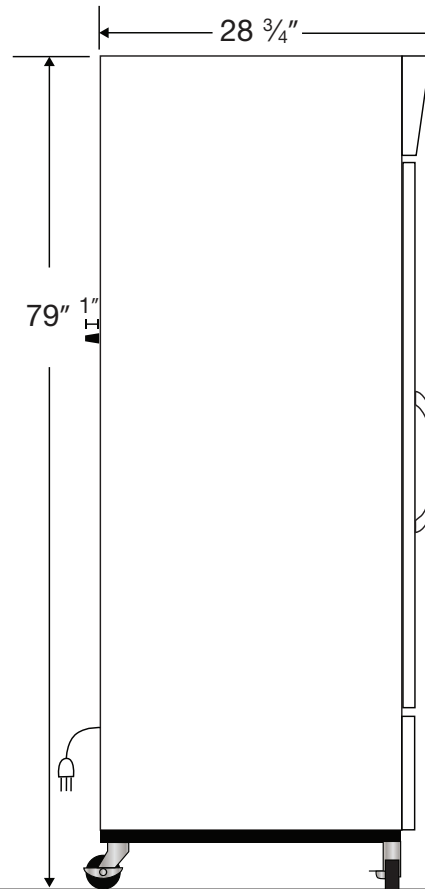
Exterior BSI-HC-LP-16-TS

CUTSHEET

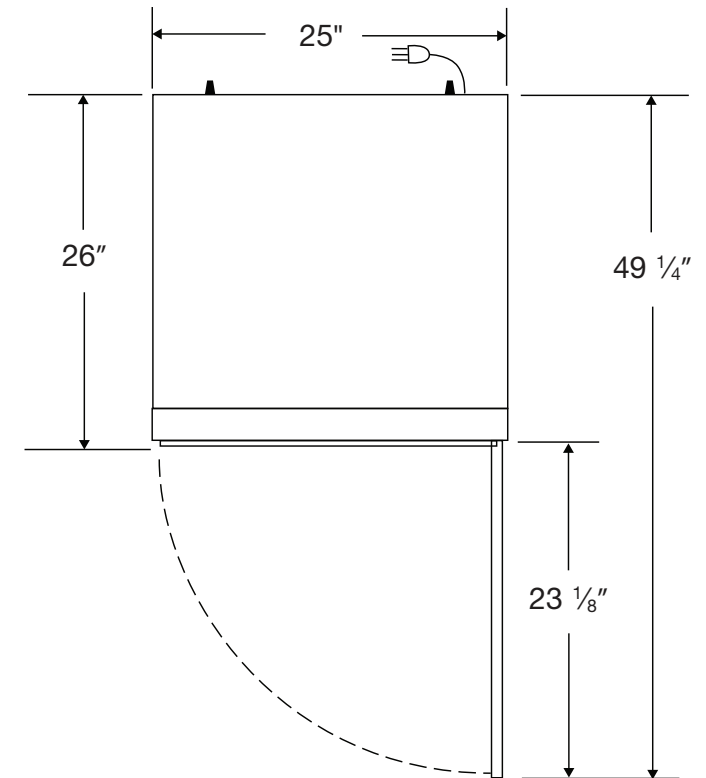
Front View



Side View



Top View



115VAC/60Hz/1PH
NEMA-5-15P

| Cu. Ft | Defrost | Door | Int Door | Shelves | W" | D" | H" | Refrigerant | H.P. | Amps | Weight |
|--------|---------|---------|----------|---------|----|--------|----|-------------|------|------|----------|
| 16 | Cycle | 1 Glass | 0 | 3 Adj | 25 | 29 3/4 | 79 | R290 | 1/5 | 3 | 243 lbs. |