

## Quick Guide

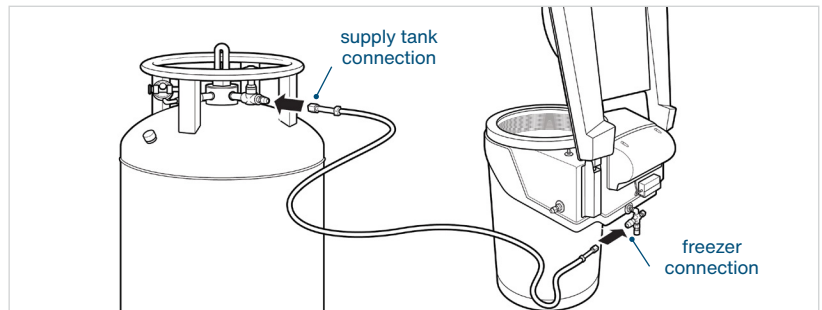
# Isothermal Freezer Start-up and Initial Fill

### You will need:

- 2 adjustable wrenches
- A 22psi LN2 Source (either independent\* or a pipeline from bulk tank)
- The hose that came with your freezer, and your inventory (if you are ready to load)

### 1 CONNECTIONS

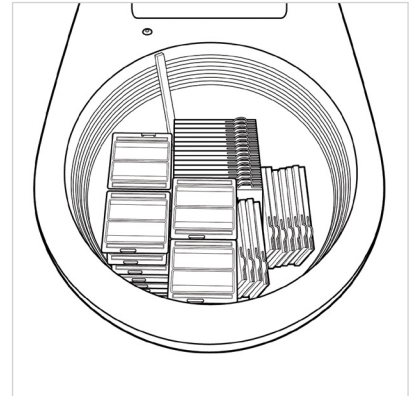
Using two wrenches, connect one end of the hose to the supply tank. Ensure hose is connected to the port labeled **'LIQUID.'** Then, connect the other end to the Autofill connection on your freezer. Open the valve to your LN2 supply.



### 2 OPEN

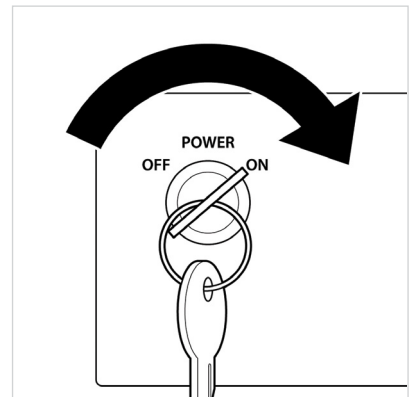
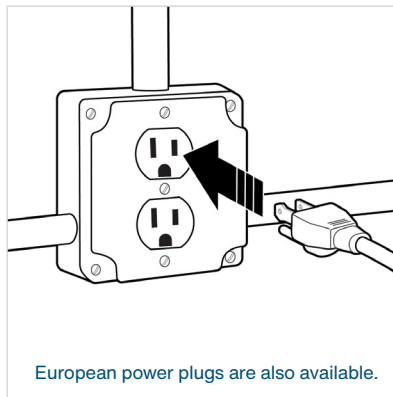
Open the lid to your freezer. It will remain open for the initial fill only. Please leave the lid open for the entire duration of the first fill.

Place your inventory into the freezer. This will cool the inventory down at the same time, so room temperature inventory is not added later, unnecessarily warming the freezer.



### 3 PLUG IN / TURN ON

Ensure the freezer is plugged into an appropriate power source. Turn the Power key to **'ON.'** The freezer will automatically begin to fill.



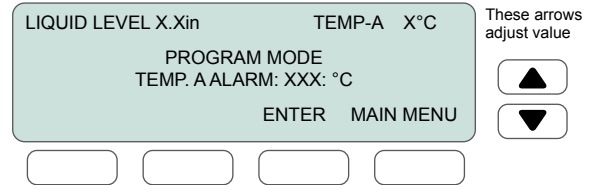
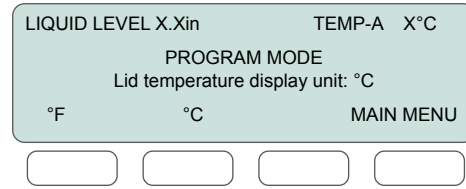
\*If using an independent tank ensure delivery is the day before first fill to ensure it will maintain proper pressure.

## 4 TEMPERATURE

The default temperature setpoint is +30 degrees Celsius. This is so during the initial fill; you do not experience high temperature alarms. When your freezer has stabilized, you should adjust the temperature setpoint from the **'TEMP'** menu.

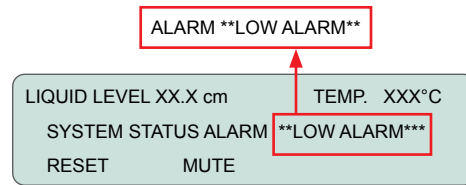
**Note:** Right-most controller key must be in the **'PROGRAM'** position to make any adjustments.

The default level setpoints are a low of 10" and a high of 17" for V-Series freezers and a low of 4" and a high of 6" for S-Series freezers.



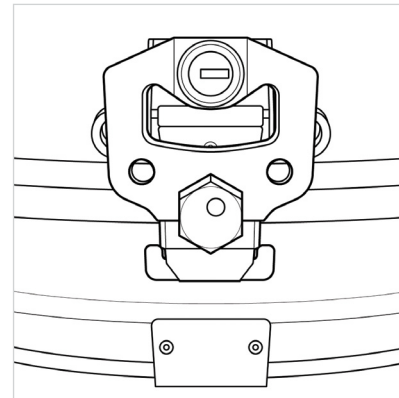
## 5 ALARM

Expect your freezer to go into a **low-level alarm** during the initial fill. This is because the LN2 level is below the default setpoint. You may choose to mute the alarm, or you can reset it.



## 6 SETPOINT

When your freezer reaches the **high level setpoint**, the valves will close and LN2 will stop flowing into the freezer. At this time, the lid may be closed. The latch should be used each time the freezer is closed to minimize airflow around the lid.



## 7 TIME

Allow your freezer **2-3 days** to stabilize temperature before performing IQ/OQ, any testing, or storing product.



If you have any trouble with the start-up of your freezer, please contact your local representative or BioLife Solutions CBS Freezer Customer Support at **+1.800.523.0072** or **customerservice@custombiogenics.com**