

TT-4000 SMARTBOX® Tabletop Chamber

SMARTBOX®

The TT-4000 automates a three-stage euthanasia cycle at the push of a button: charging, dwell time, and exhaust. At start of cycle, chamber lid automatically locks and will not unlock until CO₂ evacuation is complete. The clear acrylic construction provides full visibility and easy cage access with a top loading lid. Airtight, gasket-sealed lid prevents gas leakage during operation. The manifold design ensures even gas distribution. The system accommodates the full range of rodent cages from all manufacturers.

Compliant with AVMA Guidelines

- Accommodates up to 4 shoebox mouse cages or 1 standard rat cage
- Automation virtually eliminates operator error
- Doors are automatically locked during operation
- After starting system, technician is free to do other work
- Double throw switch allows for two different treatment times
- Programs can be customized based on facility requirements
- This system operates at a set flow rate



Required Accessories (choose one):



EA-285
(use with cylinders)

or



1050-A1-BR
(use with piped-in gas)

*TT-4000 includes:
SMARTBOX® Side Control Box, Tabletop Chamber,
Exhaust Blower, 8' of 4" Exhaust
Tubing, two 4" Hose Clamps
(Cart sold separately)*

Accessories



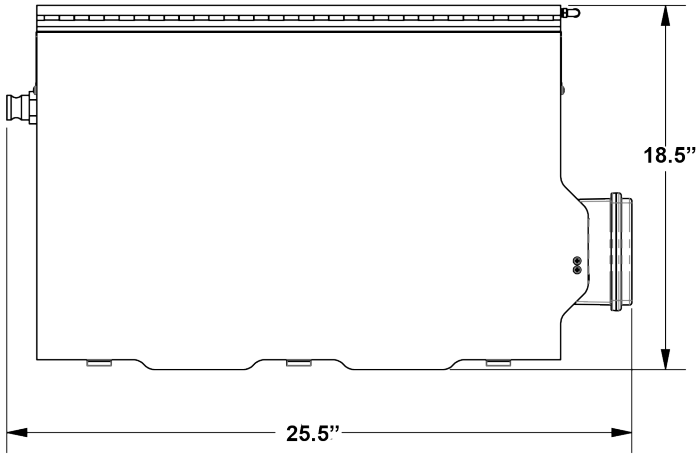
**EA-1040 Mobile
Battery Back-Up**



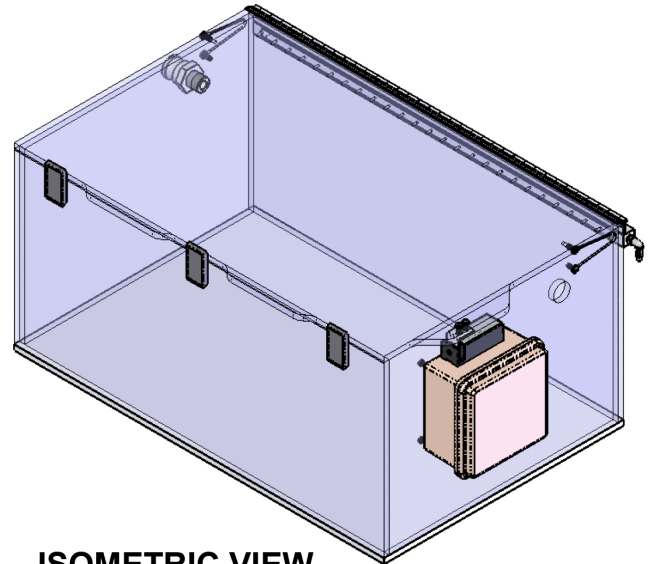
E-29000
(tanks not included)



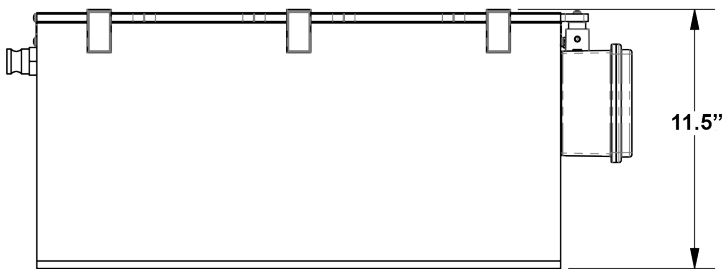
Exhaust Blower included



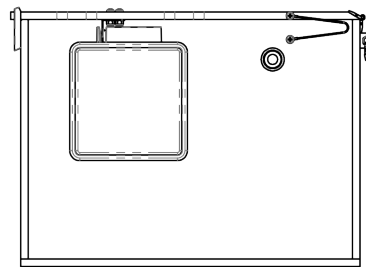
TOP VIEW



ISOMETRIC VIEW



FRONT VIEW



SIDE VIEW

INSIDE CHAMBER DIMENSIONS

20.75" L X 16" W X 10.5" H

REQUIREMENTS

| | |
|-----------|--------------------|
| ELECTRIC | 110 VAC 15 AMP |
| FLOW RATE | 19.0 LPM OR 40 CFH |
| 4" DUCT | 35 CFM |