

TT-8100 SMARTBOX® Tabletop Chamber

SMARTBOX®

The TT-8100 automates a three-stage euthanasia cycle at the push of a button: charging, dwell time, and exhaust. At start of cycle, chamber lid automatically locks and will not unlock until CO₂ evacuation is complete. The clear acrylic construction provides full visibility and easy cage access with a top loading lid. Airtight, gasket-sealed lid prevents gas leakage during operation. The manifold design ensures even gas distribution. The system accommodates the full range of rodent cages from all manufacturers.

Compliant with AVMA Guidelines

- Accommodates up to 8 shoebox mouse cages or 1 standard rat cage
- Automation virtually eliminates operator error
- Doors are automatically locked during operation
- After starting system, technician is free to do other work
- Double throw switch allows for two different treatment times
- Programs can be customized based on facility requirements
- This system operates at a set flow rate



Required Accessories (choose one):



EA-285
(use with cylinders)

or



1050-A1-BR
(use with piped-in gas)

Accessories



EA-1040 Mobile
Battery Back-Up

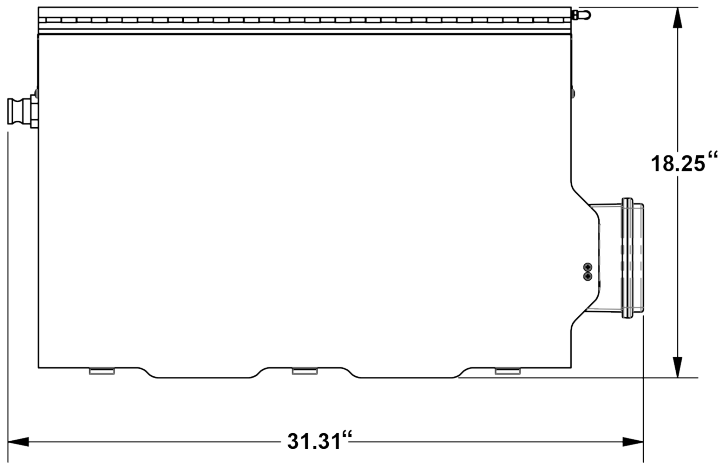


E-29000
(tanks not included)

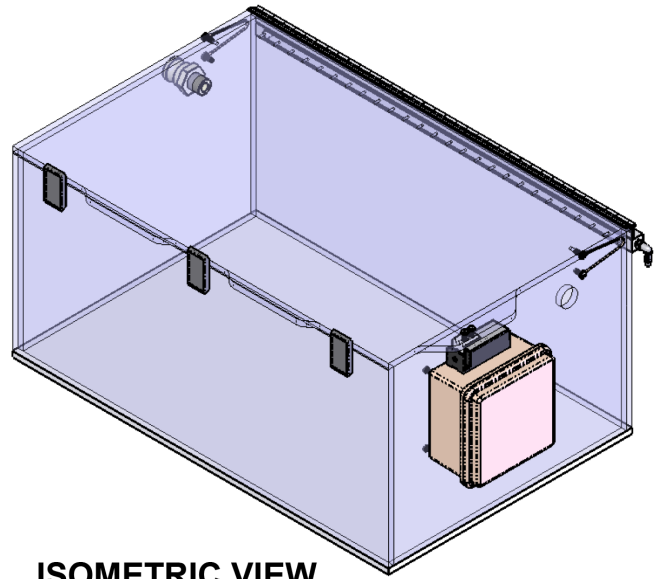
*TT-8100 includes:
SMARTBOX® Side Control Box, Tabletop Chamber,
Exhaust Blower, 8' of 4" Exhaust Tubing, two 4" Hose Clamps*



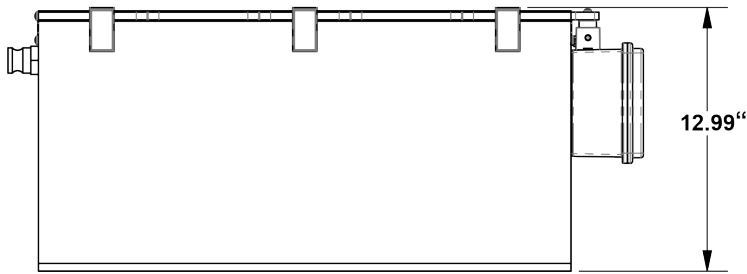
Exhaust Blower included



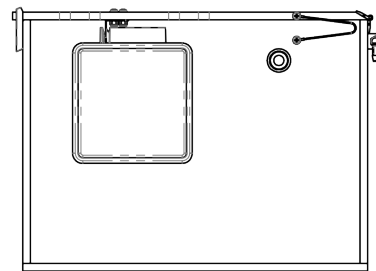
TOP VIEW



ISOMETRIC VIEW



FRONT VIEW



SIDE VIEW

INSIDE CHAMBER DIMENSIONS

25.5" L X 16" W X 12" H

REQUIREMENTS

ELECTRIC	110 VAC 15 AMP
FLOW RATE	23.5 LPM OR 50 CFH
4" DUCT	35 CFM