

TT-8200 SMARTBOX® Tabletop Chamber

SMARTBOX®

The TT-8200 Tabletop Chamber automates a three-stage euthanasia cycle at the push of a button: charging, dwell time, and exhaust. At start of cycle, the chamber lid automatically locks and will not unlock until CO2 evacuation is complete. The clear acrylic construction provides full visibility and the top-loading lid promotes easy cage access. The airtight, gasket-sealed lid prevents gas leakage during operation. The manifold design ensures even gas distribution. The system accommodates the full range of rodent cages from all manufacturers.

Compliant with AVMA Guidelines

- Accommodates up to 10 shoebox mouse cages or 2 standard rat cages
- Automation virtually eliminates operator error
- Doors are automatically locked during operation
- After starting system, technician is free to do other work
- Double throw switch allows for two different treatment times
- Programs can be customized based on facility requirements
- This system operates at a set flow rate



Inside Dimensions: 27.5"L x 19"W x 13.75"H

Required Accessories (choose one):



EA-285
(use with cylinders)

or



1050-A1-BR
(use with piped-in gas)

Accessories

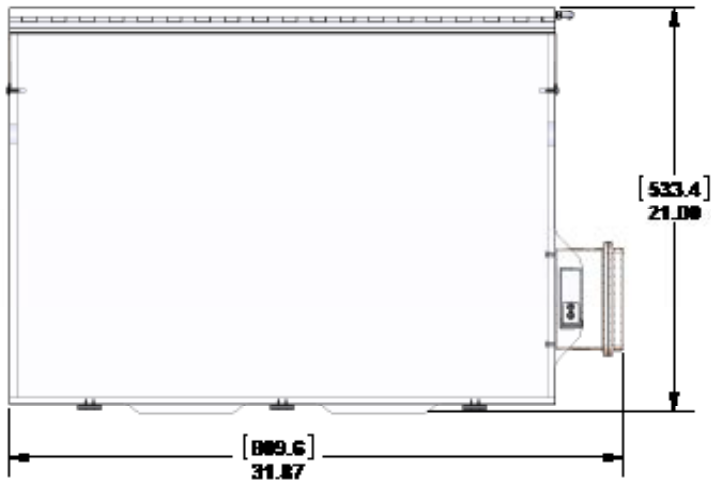


EA-1040 Mobile
Battery Back-Up

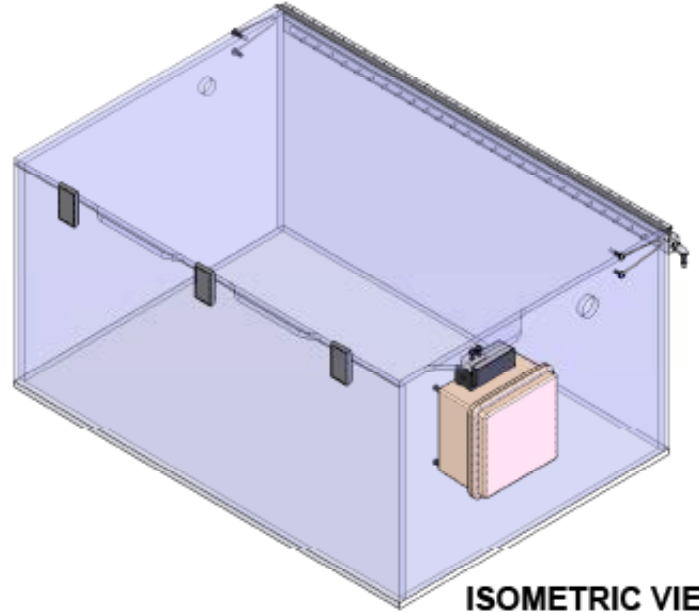
*TT-8200 includes:
SMARTBOX® Side Control Box, Tabletop Chamber,
Exhaust Blower, 8' of 4" Exhaust
Tubing, two 4" Hose Clamps*



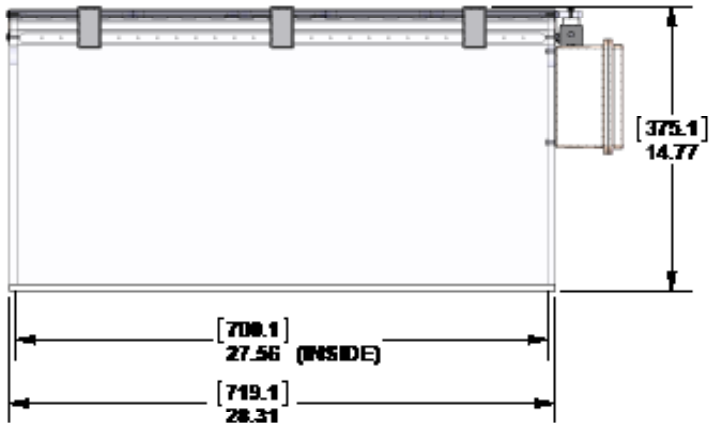
Exhaust Blower included



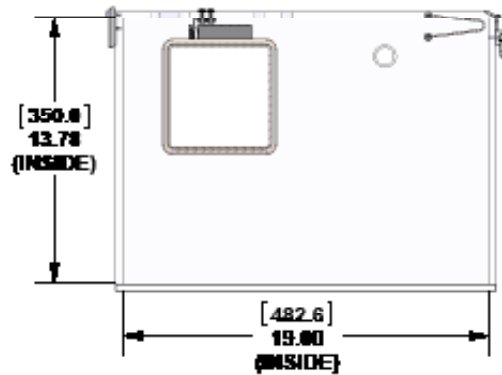
TOP VIEW



ISOMETRIC VIEW



FRONT VIEW



SIDE VIEW

METRIC DIMENSIONS IN [] ARE IN MM.

Inside Chamber Dimensions: 27.5"L x 19"W x 13.75"H

REQUIREMENTS

ELECTRIC	110 VAC 15 AMP
FLOW RATE	23.5 LPM OR 50 CFH
4" DUCT	35 CFM