



Operations in an ultra-clean, dust-free environment:

- Non-pathogenic cell cultures
- In-vitro cultures
- Microbiology (Non-pathogenic)

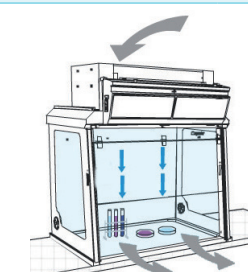
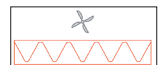
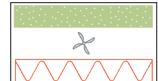
- Homeopathic preparations in pharmacies,
- Electronics
- Optics, etc.

Technical specifications

Dimensions (mm)						
Ref.	External dimensions			Internal dimensions without work surface		
	Width	Depth	Height mini/maxi	Width	Depth	Height
391	1000	630	1160 - 1240	965	522	860

Structure	
Metallic parts	Anti-corrosion steel coated with 100% polyester
Side and front panels	High optical purity, colourless and transparent acrylic. Inert to most aggressive chemicals.
Filtration module	Injected polypropylene

Specifications	
Number of fans (IP44)	1
Processed air flow	IP: 256 m ³ /h IPIC: 164 m ³ /h
Voltage / Frequency	90-264 V / 50-60Hz
Total power consumption including electricity for the lights	70 W
Amperage absorbed	0,26 A
Air velocity at openings	0,3 m/s

Filtration column	
	
<p>Type IP HEPA H14 FILTER</p> <p>This filtration technology traps particles larger than 0.1 µm with 99.995% efficiency, according to the MPPS method set forth in the EN 1822-1 standard.</p>	
<p>Type IPIC : HEPA H14 Filter + molecular filter</p> <p>Adding a carbon filter to your vented cabinet allows you to protect its volume from gaseous pollutants present in your laboratory environment</p>	

Equipment

Standard Equipment	
Flow monitor	Permanent ventilation control device
Internal lighting	Compact tubular fluorescent lighting - 18 Watts - 500 Lux - IP 67
Energy ports	For the passage of cables

Options	
Work surface N°1	Work surface in stainless steel 304 L with built-in retention tray
Work surface N°2	In phenolic resin with built-in retention tray
Mobicap	Rolling cart made of anti-corrosion metallic alloy
Benchcap	Fixed work bench made of anti-corrosion metallic alloy
Shelf	Adjustable sliding shelf for Mobicap and Benchcap

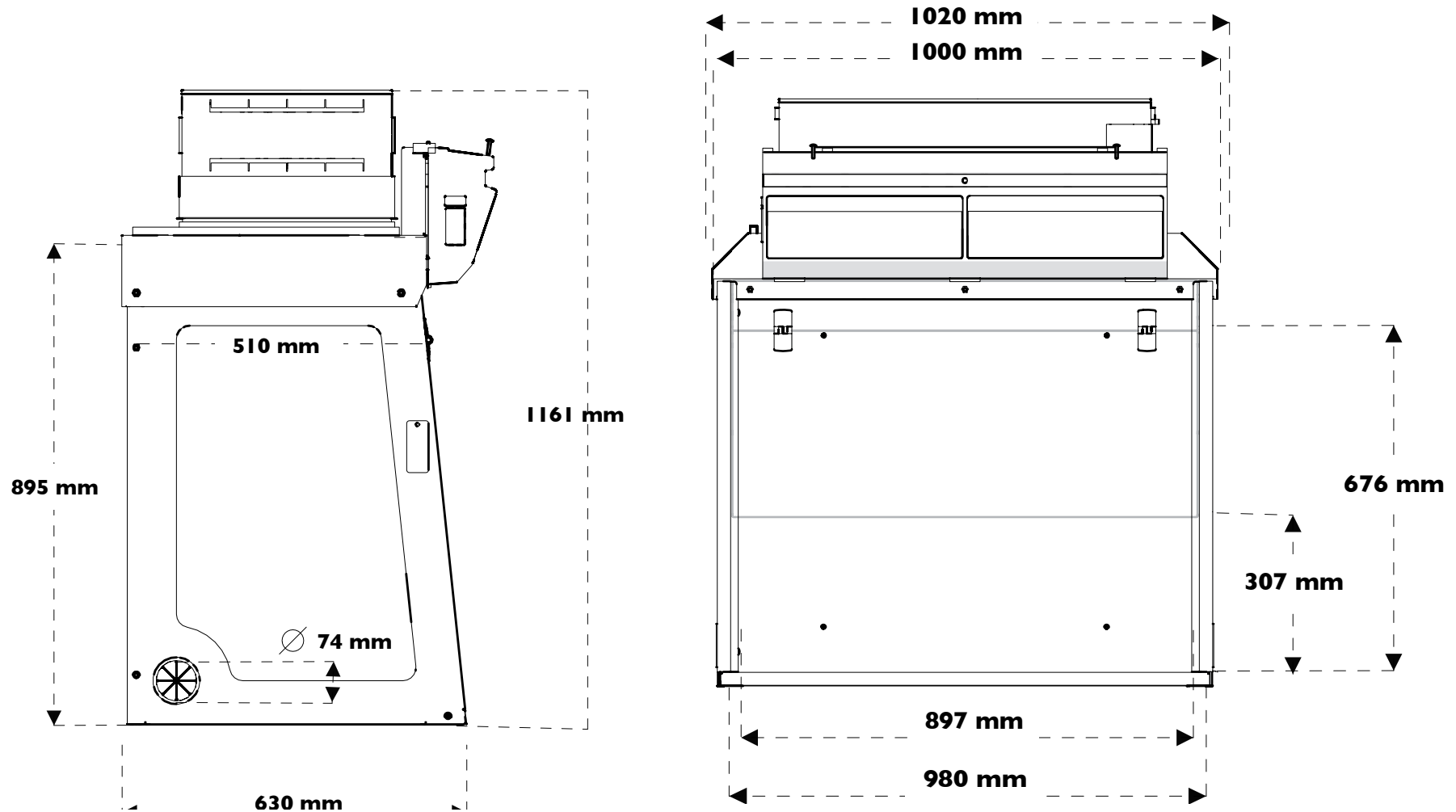
Compliance to standards

■ Air quality within the enclosure: ISO 5*

*When used in a cleanroom in compliance with ISO 9 / EN 14-644 standard.

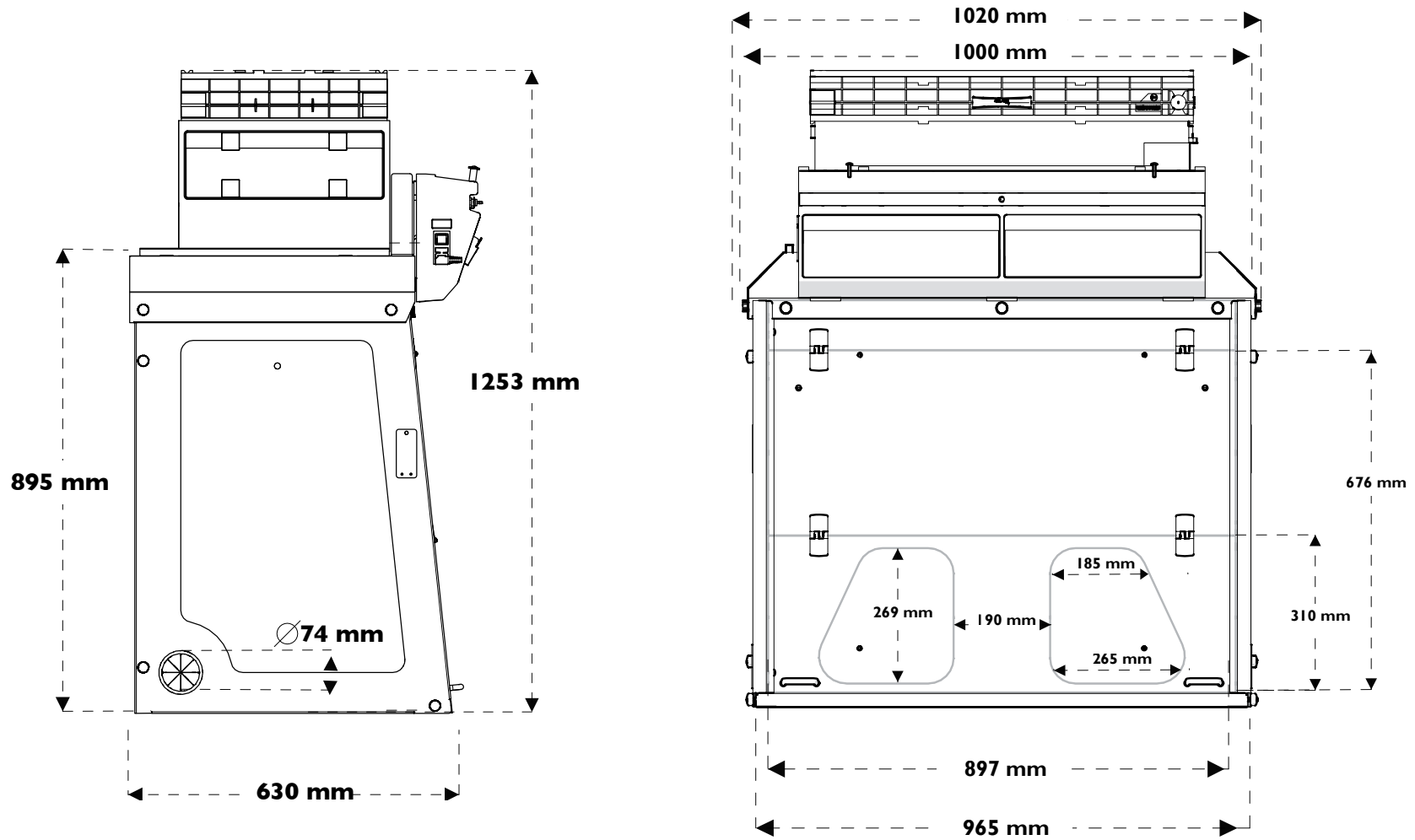


Technical drawings of the version equipped with the IP filtration column



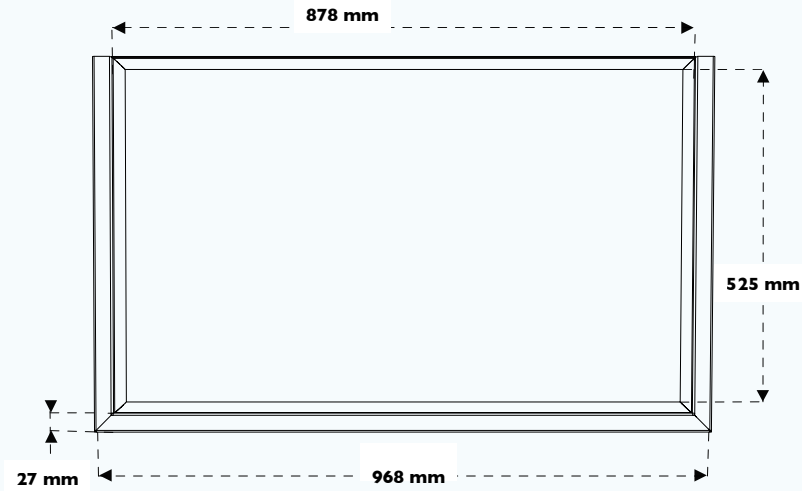


Technical drawings of the version equipped with the IPIC filtration column





Work surface N°1 Work surface in stainless steel
304 L with built-in retention tray



Work surface N°2 In phenolic resin with built-in
retention tray

