



Halo Sense Smart

Lab air quality sensor

Life in the lab becomes *Simpler Safer*



Be informed about the air
you breathe in the lab

Wide spectrum of fumes and vapours

Halo Sense Smart has been designed to continuously monitor the lab air quality for a large spectrum of fumes and vapours.

The solution to various pollution issues

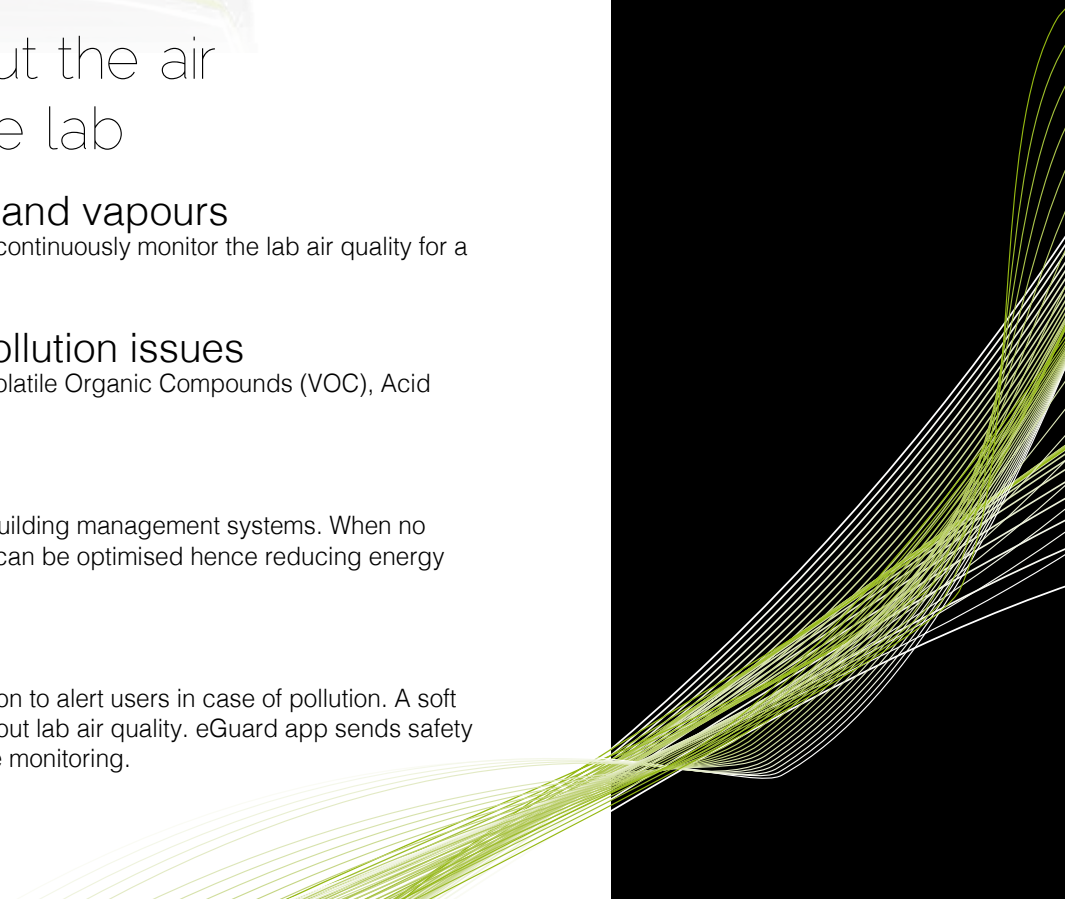
Halo Sense Smart comes in 3 versions: Volatile Organic Compounds (VOC), Acid and Formaldehyde.

Energy savings

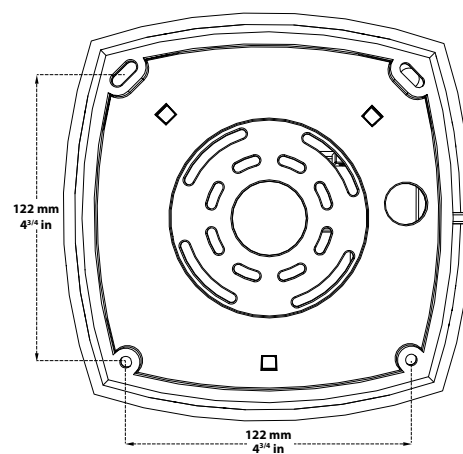
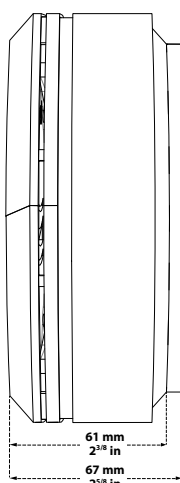
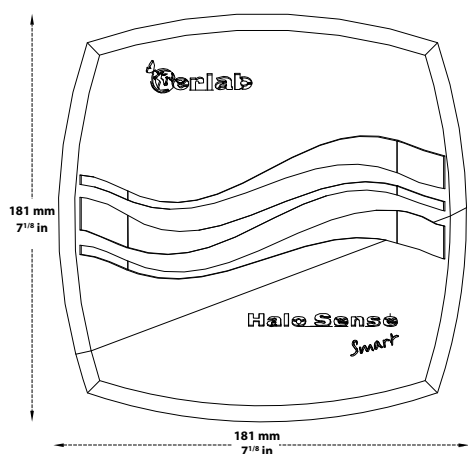
Halo Sense Smart can be connected to building management systems. When no pollution is detected, the air change rate can be optimised hence reducing energy costs.

SMART technology

Smart technology uses light communication to alert users in case of pollution. A soft band of light pulses to inform instantly about lab air quality. eGuard app sends safety alerts and notifications to allow a real time monitoring.



Specifications



Halo Sense Smart 3 versions

VOC

For Labs with
volatile organic compounds

Formaldehyde

For Labs with
Formaldehyde vapours

Acid

For Labs with
acid vapours

Housing	Lightweight, durable plastic		
Detection	Semiconductor sensor	Electro-chemical sensor	Electro-chemical sensor
Weight	1 kg - 2.2 lbs		
Sensitivity	5 sensitivity levels	3 sensitivity levels	
Installation	Equipped with removable turntable to allow installation on: wall, bench, ceiling		
eGuard app	App for remote control and monitoring		
Energy consumption	10 W		
User Interface	Simple communication by LED pulsation system / audible warning (can be disabled)		
Voltage / frequency	80-240V 50/60hz		
Connectivity	via Ethernet connector (RJ45 cable provided)		
RJ45 cable	Length: 3m		
Dry contact	1 permanent for alarm indicator (3.3V)		
Coverage	from 14 to 40m ²		



Download our eGuard app and see what Halo sense smart is sensing

eGuard sends alerts to your preferred device. If the lab air is polluted, it allows you to take action before pollution level becomes a hazard.



Available for smartphone and PC



France
+33 (0) 2 32 09 55 80 | ventes@erlab.net

United States
+1 800-964-4434 | captairsales@erlab.com

China
+86 (0) 512 5781 4085 | sales.china@erlab.com.cn

Malaysia
+60 (0) 7 3 555 724 | erlab@tm.net.my

Germany
0800 330 47 31 | verkauf@erlab.net

United Kingdom
+44 (0) 1722 341 940 | salesuk@erlab.net

Italy
+39 (0) 2 89 00 771 | vendite@erlab.net

Spain
+34 93 673 24 74 | ventas@erlab.net



www.erlab.com



2018 Celebrating 50 years
of innovation in filtration