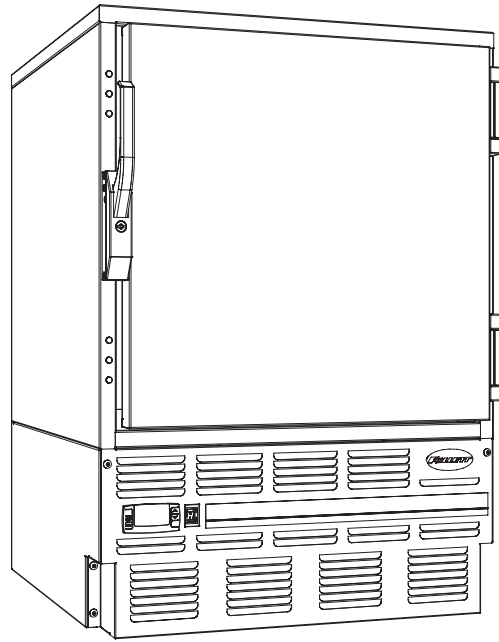


REF4-ADA, REF5



REF5-BB



**Following installation, please forward this manual
to the appropriate operations person.**

Contents

Welcome to Follett	3
Before you Begin	3
Specifications	3
Series Specifications	3
Refrigeration Specifications	3
Installation Specifications	4
Installation	4
Installing Legs – Required	4
Installing Shelves – Required for REF4-ADA, REF5 only*	4
Changing Temperature Controller Settings – Optional	4
Reversing the Door Swing – Optional	5
Install Glycerine Solution in Product Simulation Bottle - REF5-BB only	5
Controller Operation	6
Controller Security	7
Changing Temperature Display	7
“Sleep” Function	7
Alarming Functions	8
To Change the Alarm Delay	8
Operation	9
Temperature Control	9
Defrosting	9
Cleaning	9
Annual Cleaning	9
Service	10
Latch Adjustment	10
Door Gasket Replacement	10
Slide-out Compressor Tray	10
Removing Drawers (REF5-BB only)	10
Removing Slides (REF5-BB only)	10
Controller Replacement	11
Wiring Diagram	11
Refrigeration System	12
Checking Refrigeration System Pressures	12
Troubleshooting Guide	14
Accessory Installation	15
Temperature Surveillance Module Accessory	15
Temperature Alarm Accessory	15
Pedestal Base	15
Stacking Kit	15
Replacement Parts for REF4-ADA, REF5	16
Hardware	17
Electrical Components	18
Temperature Alarm Accessory	18
Door Brackets for Automated Medication Dispensing Systems Compatibility	18
Replacement Parts for REF5-BB	19
Evaporator	19
Condensing Unit	20
Hardware	21
Hardware and Electrical Components	22

Welcome to Follett

Follett equipment enjoys a well-deserved reputation for excellent performance, long-term reliability and outstanding after-the-sale support. To ensure that this product delivers that same degree of service, we ask that you take a moment to review this manual before beginning the installation. Should you have any questions or require technical help at any point, please call our technical service group at (877) 612-5086 or (610) 252-7301.

Before you Begin

After uncrating and removing all packing material, inspect the equipment for concealed shipping damage. If damage is found, notify the shipper immediately and contact Follett Corporation so that we can help in the filing of a claim, if necessary.

Check your paperwork to determine which item number you have. Follett item numbers are designed to provide information about the type of refrigerator you are receiving. Following is an explanation of the different item numbers.

Model Number	Item Number	Keypad	Stackable/Use with Pedestal	With Chart Recorder
REF5	REF5-00000			
	REF5-KP0000	X		
	REF5-00SP00		X	
	REF5-KPSP00	X	X	
REF4-ADA	REF4-000000			
	REF4-KP0000	X		
	REF4-00SP00		X	
	REF4-KPSP00	X	X	
REF5-BB	REF5-BB-00SPCR	X	X	X
	REF5-BB-KPSPCR	X	X	X

Specifications

Series Specifications

REF4-ADA	31.25" (79.4 cm) height	Fits below 34" (86.4 cm) high ADA-compatible counter	4.0 cu ft capacity
REF5	34.00" height (86.4 cm) height	Fits below standard 36" (91.4 cm) high counter	4.8 cu ft capacity
REF5-BB	36.00" (91.4 cm) height	Fits below standard 36" (91.4 cm) high counter	2 drawers with total storage of 50 bags (450 ml/bag); max. drawer load of 35 lb (16 kg) each

Electrical Specifications

115 V, 60 Hz, 1 phase

Full load: 8A

Minimum circuit ampacity: 15A

Maximum size of branch circuit overcurrent device: 15A

Refrigeration Specifications

Model Number	Refrigerant	Charge Size (oz)	Maximum Design Pressures (psi)	
			High Side	Low Side
REF4-ADA, REF5	R404A	7.9	375	174
REF5-BB	R404A	10	422	175

Installation Specifications

Ambient temperature must not exceed 100 F (38 C).

The front louvered panel must be kept free of any cabinet trim or obstructions to ensure proper ventilation of the refrigeration system.

CAUTION!

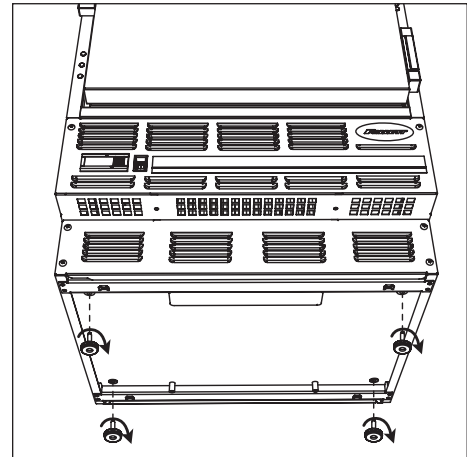
- Equipment must be wired according to local and national electrical codes.
- Always disconnect power before servicing refrigerator.

Installation

Installing Legs – Required

1. Remove legs from plastic bag packed inside refrigerator.
2. Tip refrigerator back and screw legs in all the way to stop (they will extend 1/8" below base of REF).
3. Adjust legs as needed to level REF in both directions. To access legs, remove the lower front panel. Turn legs clockwise to extend legs.

Fig. 1

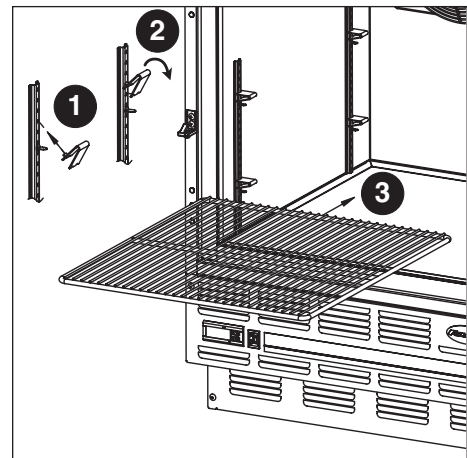


Installing Shelves – Required for REF4-ADA, REF5 only*

1. Remove shelves and shelf brackets packed inside refrigerator. (If ordered, find cut-out shelf accessory in separate box.)
2. Install shelf brackets in pilasters (insert top tab, squeeze and push in lower tab).
3. If ordered, position cut-out shelf accessory below evaporator with cut-out around drain.

* REF5-BB equipped with drawers.

Fig. 2

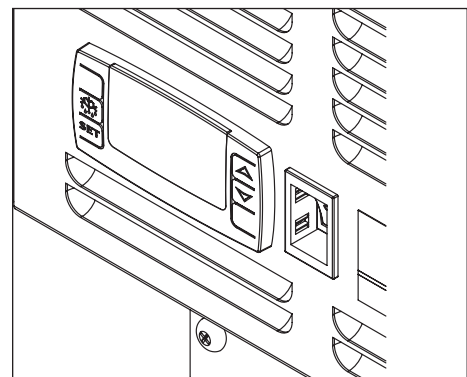


Changing Temperature Controller Settings – Optional

Follett's temperature controller is pre-programmed with a 38 F (3.3 C for REF5-BB) set point and degrees F display*. The 38 F set point delivers a temperature range of 38 – 42 F (3.3 – 5.5 C for REF5-BB) that may not meet the needs of your specific application. Follett's controller set point can be changed to deliver the required range in either F or C. Refer to page 6 for instructions on changing set point and/or temperature display.

* REF5-BB is factory set in degrees C and displays in degrees C.

Fig. 3



Reversing the Door Swing – Optional



CAUTION!

- When reinstalling latch and hinge screws, 242 blue Loctite* MUST be applied to screws. Torque screws to 25 in-lbs

1. Remove screws and latch from refrigerator cabinet (**Fig. 4.1**).

* Loctite is a registered trademark of Henkel Corporation in the United States and other countries.

- Use flat screwdriver to carefully remove (do not scratch) hinge covers (**Fig. 5.1**).
- Support door and remove screws attaching hinge to refrigerator cabinet (**Fig. 5.2**).
- Cover hinge screw holes with screw hole plugs removed from opposite side.
- Reverse door. Apply 242 blue Loctite to hinge screws and reinstall torqued to 25 in-lbs.
- Reinstall latch on opposite side.

- Remove screws and handle from door (**Fig. 6.1**).
- Rotate handle (**Fig. 6.2**).
- Apply 242 blue Loctite to latch screws and reinstall torqued to 25 in-lbs.

Note: Refer to Keypad Lock operation and service manual (00163345R00) for reversing a door equipped with a keypad lock.

Fig. 4

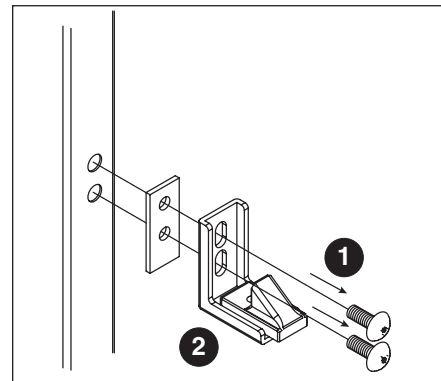


Fig. 5

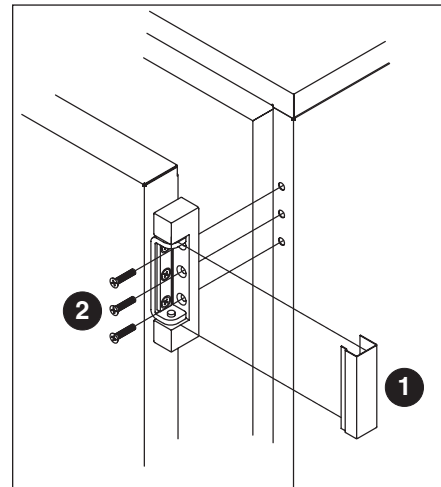
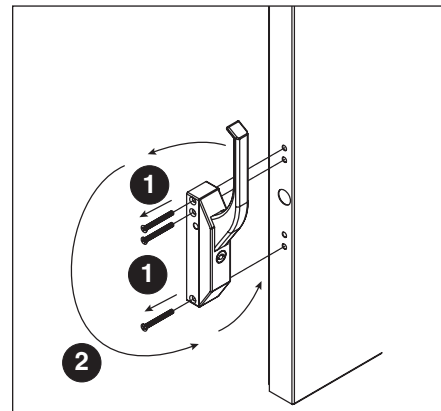


Fig. 6



Install Glycerine Solution in Product Simulation Bottle - REF5-BB only

- Remove the bottle from the bracket located in the upper left corner of the refrigerator.
- Remove the top and fill the bottle with a 50/50 solution of glycerine and water.
- Replace the top (and probe).
- Reinsert bottle into the bracket.

Note: Refer to Temperature Alarm Accessory for REF and FZR Series installation instructions (00112052) for more information.

Controller Operation

In normal operation, the controller displays cabinet temperatures in degrees F or user-selected degrees C*. F temperatures are displayed to the nearest degree, C temperatures are displayed to one decimal point.

* REF5-BB default is degrees C.

The controller is pre-programmed with a 38 F (3.3 C) set point, which provides a compressor cut-in at 42 F (5.5 C) and cut-out at 38 F (3.3 C). A snowflake LED displays when the compressor is running. If these set points do not meet your specific application needs, instructions for changing the set point are found below.

Note: Follett presets its refrigeration system to hold product temperature at approximately 39 F (3.8 C). If you are storing prepacked food in this unit, NSF requires that the set point be changed to 36 F (2.2 C) with a 3 F (1.7 C) differential (HY) to maintain food below 40 F (4.4 C).

Refer to the chart below for the set point for your application's required temperature range:

Set Point F (C)	Cut-In/Cut-Out F	Cut-In/Cut-Out C	Normal Display Range Temperature F (C)
34 (1.1)	38/34	3.3/1.1	32 – 38 (0 – 3.3)
35 (1.7)	39/35	3.9/1.7	33 – 39 (0.6 – 3.9)
36 (2.2)	40/36	4.4/2.2	34 – 40 (1.1 – 4.4)
37 (2.8)	41/37	5/2.8	35 – 41 (1.7 – 5)
38 (3.3)	42/38	5.6/3.3	36 – 42 (2.2 – 5.6)
39 (3.9)	43/39	6.1/3.9	37 – 43 (2.8 – 6.1)
40 (4.4)	44/40	6.7/4.4	38 – 44 (3.3 – 6.7)
41 (5)	45/41	7.2/5	39 – 45 (3.9 – 7.2)

All set points have a 4 F (2.2 C) differential (HY setting on the controller). The 4 F (2.2 C) differential means that with a 38 F (3.3 C) set point, for example, the compressor will turn off at 38 F (3.3 C) and turn on when it reaches 42 F (5.5 C).

Because refrigerant remains in the evaporator, there can be an additional 1 – 1.5 F (1.8 – 2.0 C) of downward "drift" in temperature after the compressor turns off. The temperature may momentarily display as low as 36 F (36.9 F and below rounds down to 36 F) before beginning to rise again. In degrees C, the temperature may momentarily display as low as 1.3 C before beginning to rise.

To display temperature cut-out		
Step	Input	Display
1	Press and release SET	Current cut-out temperature will display for approximately 5 seconds. Display will return to current refrigerator temperature.

To change temperature cut-out		
Step	Input	Display
1	Press and hold SET for 3 seconds	Current cut-out temperature displayed and °F or °C will flash.
2	Press UP or DOWN arrows to desired cut-out temperature per above table	New cut-out temperature displayed.
3	Press and release SET	New cut-out temperature blinks three times, then current refrigerator temperature will display.

Controller Security

The controller panel can be locked to prevent inadvertent or unintentional programming changes. In locked mode, the controller will display cabinet temperature and cut-out set point only.

To lock the controller

1. Press the UP and DOWN ARROW buttons together for 3 seconds, until “PoF” displays (will flash three times).
2. Programmer is now locked.

To unlock the controller

1. Press UP and DOWN ARROW buttons together for 3 seconds, until “Pon” displays (will flash 3 times).
2. Programmer is now unlocked

Changing Temperature Display

NOTICE!

*It is important that you review the temperature cut-out settings after you change the temperature display. The controller contains two separate temperature channels; F and C. Changes made to the factory default settings while displaying temperatures in F **will not** automatically transfer when you change the temperature display to C.*

To change the temperature display, follow these steps:

1. Move the power switch to OFF and unplug the refrigerator.
2. Remove the front lower panel cover (**Fig. 7**) to access the controller.
3. Locate jumper wires #9 and #11 (**Fig. 8**).
 - To display the temperature in F: Disconnect jumper wires.
 - To display the temperature in C: Connect jumper wires.
4. Reinstall the front lower panel cover.
5. Plug in the refrigerator and return the power switch to ON.
6. Verify settings.

Fig. 7

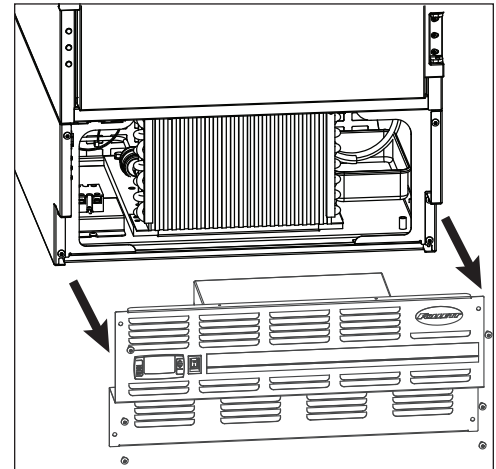
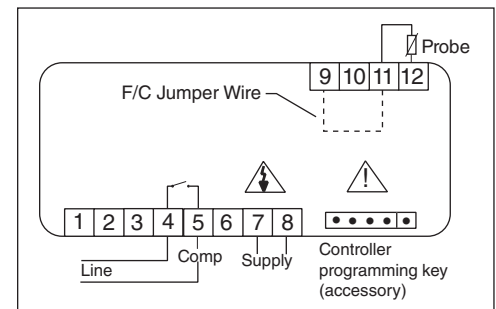


Fig. 8

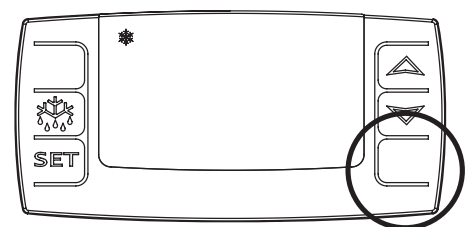


“Sleep” Function

You may not want the Follett temperature display when using a third-party temperature monitoring system with its own temperature display. You can put the Follett controller “to sleep” to avoid confusion. The compressor icon remains illuminated when the compressor is running (**Fig. 9**).

1. Press BOTTOM RIGHT button to put display to sleep.
2. Press BOTTOM RIGHT button to return to display mode.

Fig. 9



Alarming Functions

Follett's controller provides local high and low air temperature alarming. If air temperature goes above or below the set temperature range, an audible alarm sounds and the display flashes. Alarming automatically stops when the temperature returns to normal values.

Most refrigerated medications should be stored between 36 F and 46 F (2 C and 8 C). The controller is factory-set to maintain product temperature at 39 F (4 C). If you want to change temperature to display in degrees C or degrees F, follow the instructions in *Changing Temperature Display - Optional on page 7* and make that change before setting your alarm values.

Note: The alarm function has no battery backup. If your refrigerator is not on a "red circuit" with generator backup, you may want to consider Follett's alarm module with battery backup (Item# 00112185) for maximum product security. Controller is factory-set with a high-alarm default setting of 100 F (38 C) and a low-alarm default of -20 F (-30 C) with a 5 min delay on alarm.

The REF5-BB includes a temperature surveillance module. Because the module provides high and low product temperature alarms and product temperature display, Follett recommends that you disable the controller alarming and put the controller display to 'sleep' (see *"Sleep" Function on page 7*). Refer to the Temperature Surveillance Module Accessory instruction (00168609) shipped with the product for set-up and operation instructions.

To Set Low-Temperature Alarm Value

1. Press SET and DOWN ARROW and hold for 3 seconds, until HY appears.
2. Press DOWN ARROW, until ALL appears.
3. Press SET to display current setting.
4. Press UP or DOWN ARROW to change to desired temperature.
5. Press SET to accept new value.

To Set High-Temperature Alarm Value

1. Press SET and DOWN ARROW and hold for 3 seconds, until HY appears.
2. Press DOWN ARROW, until ALU appears.
3. Press SET to display current setting.
4. Press UP or DOWN ARROW to change to desired temperature.
5. Press SET to accept new value.

To Mute the Alarm

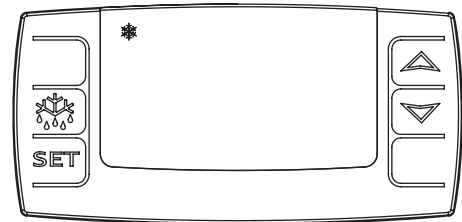
1. Press any key to mute the alarm.
2. The alarm will not sound until another alarm occurs.

To Change the Alarm Delay

The alarming feature is factory-set with a 5-min delay to avoid nuisance alarming. Follow these steps to program the delay interval from 0 to 255 min.

1. Press SET and DOWN ARROW and hold for 3 seconds, until HY appears.
2. Press DOWN ARROW, until ALd appears
3. Press SET to display current delay setting.
4. Press UP or DOWN ARROW to change to desired delay interval.
5. Press SET to accept new value.

Fig. 10



Operation

The temperature control board and probe indicate when the refrigeration system is required to turn on and off.

The refrigeration system removes heat from the cabinet interior and rejects it to the surrounding room air. When the cabinet interior temperature reaches 4 F (2.2 C) above the controller set point, the probe signals the controller to turn the refrigeration system on. The normally open controller contacts close and energize the evaporator and control relay which energizes the condensing unit. The compressor uses a current-style starting relay and a starting capacitor to start the compressor motor.

When the cabinet interior temperature falls to the set point, the probe signals the controller to turn the refrigeration system off. The controller contacts reopen, which de-energizes the evaporator fan motor and control relay which de-energizes the condensing unit (compressor and condenser fan motor). **REF5-BB only:** The evaporator fan runs continuously.

Any accumulated frost on the evaporator coils melts during the off cycle. The condensate drains to a plastic drain pan mounted above the condensing unit on REF4-ADA, REF5 units and next to the condensing unit on REF5-BB units. The heat from the condensing unit evaporates any condensate in the drain pan.

Temperature Control

The temperature control system is preset by the factory to maintain a cabinet temperature of 38 – 42 F (3.3 – 5.5 C). If desired, the cut-out temperature can be raised as high as 55 F (13 C) by following the instructions in [Controller Operation on page 6](#) for changing the temperature set point. The 4 F cut-out differential will be maintained regardless of the controller set point.

Defrosting

REF Series undercounter refrigerators do not require manual defrosting. The unit cooler defrosts automatically when the condensing unit is in the OFF cycle.

Cleaning

Interior: Using a sponge or soft cloth, clean unit with a non-abrasive, non-chlorinated, all-purpose detergent.

Exterior: Wipe exterior with a soft cloth in the direction of grain as needed. Stainless steel polish may be used to enhance the finish of the unit.

Annual Cleaning

Removal of dust and other particulates from air intake areas and the condenser is important for proper operation. Environments with large amounts of dust may require more frequent cleaning.

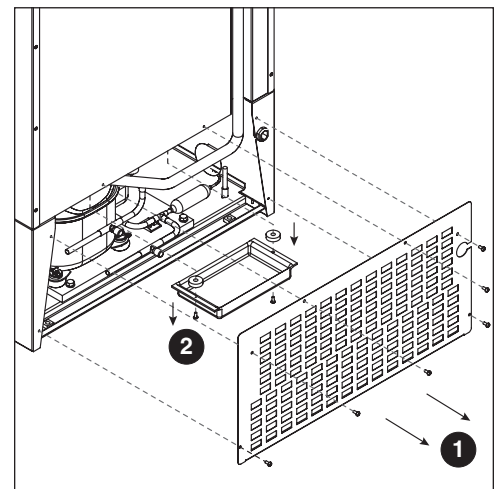
Use only non-chlorine-based cleaners. Cleaners containing chlorine can cause staining and pitting of the stainless steel.

1. Disconnect power to unit by turning switch on the lower front panel to the OFF position, switching circuit breaker to OFF position, and removing power cord from receptacle.
2. Remove lower front and rear panels (**Fig. 11.1**).

Note: Front louvered panel may be removed for more frequent cleaning of the condenser as needed.

3. Remove drain pan (**Fig. 11.2**). (REF4-ADA, REF5 drain pan location shown.)
4. Clean drain pan with a non-abrasive, non-chlorinated all-purpose detergent.
5. Reinstall drain pan.
6. Use a vacuum cleaner with brush attachment to clean condenser through lower front panel and compressor motor and related parts through lower rear panel.
7. Reinstall lower rear and lower front panels.

Fig. 11



Latch Adjustment

To adjust for proper latch engagement

1. Loosen striker plate mounting screws (**Fig. 12.1**).
2. Move striker plate up or down as required and tighten screws.
3. Test operation of latch.

To adjust for proper gasket seal

1. Loosen striker depth adjustment screw (**Fig. 12.2**).
2. Adjust stop in or out and tighten screws.
3. Test operation of latch.

Door Gasket Replacement

1. Remove existing gasket from mounting track.
2. Verify mounting track is free of any remaining gasket material.
3. Align new gasket with mounting track and press firmly in place.
4. Open and close door, checking for proper gasket seal without pinching against freezer.
5. Adjust latch and or striker as necessary for proper door closure.

Slide-out Compressor Tray

Follett's slide-out compressor tray allows technicians to partially slide the condensing unit from the freezer back without cutting refrigerant lines.

1. Remove rear panel (**Fig. 13.1**).
2. Remove two screws and spacers securing condensate pan, and set pan aside (**Fig. 13.2**). (REF4-ADA, REF5 drain pan location shown.)
3. Remove two bolts securing condensing unit to freezer base (**Fig. 13.3**).
4. Carefully slide out condensing unit (**Fig. 13.4**).

Note: Do not put strain on the refrigerant lines.

Fig. 12

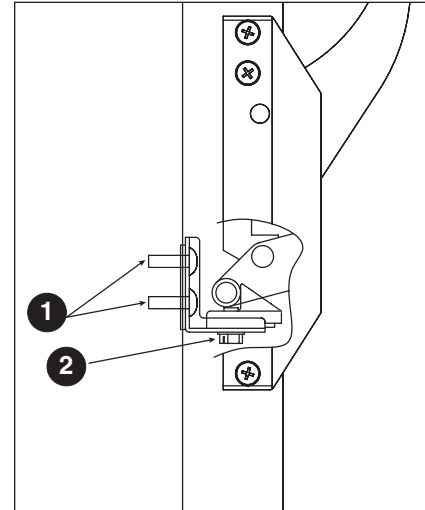
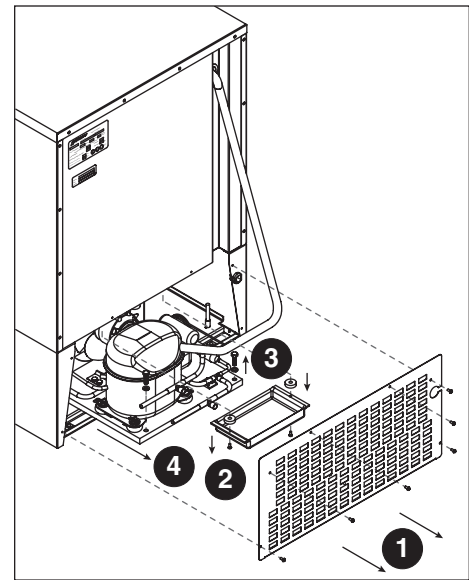


Fig. 13



Removing Drawers (REF5-BB only)

1. Pull drawer forward to stop.
2. Lift drawer front to free front rollers from sides.
3. Still lifted, pull drawer forward to free back rollers from sides.

Removing Slides (REF5-BB only)

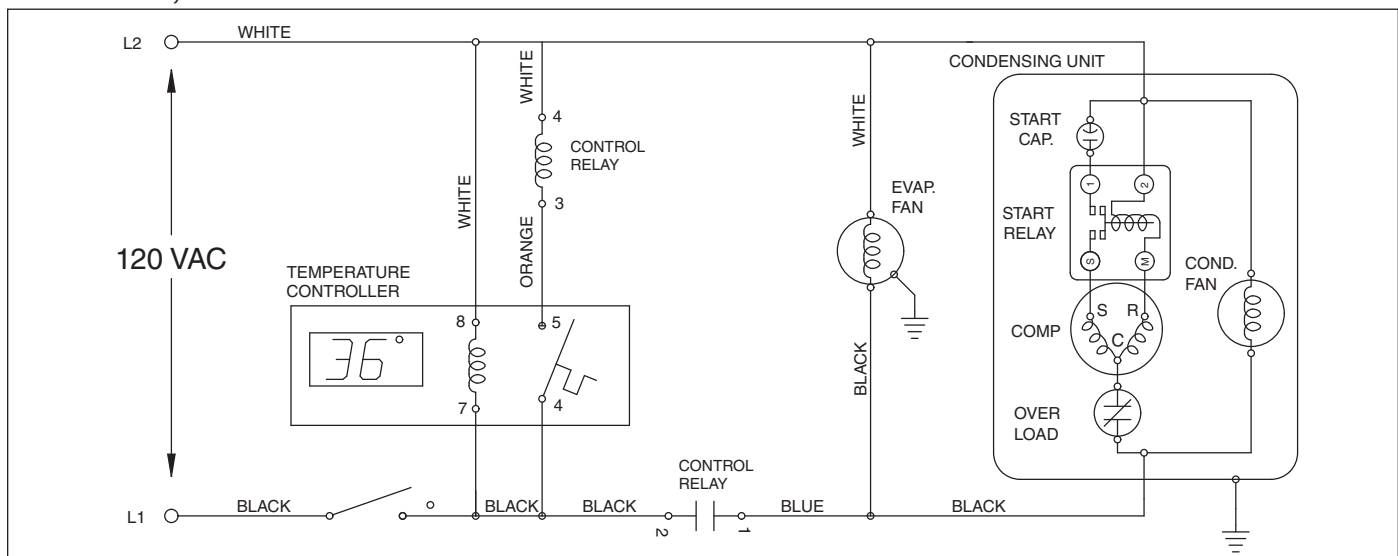
1. Push slides all the way back.
2. Swing bottom of slide away from refrigerator wall and lift slide off of rollers.

Controller Replacement

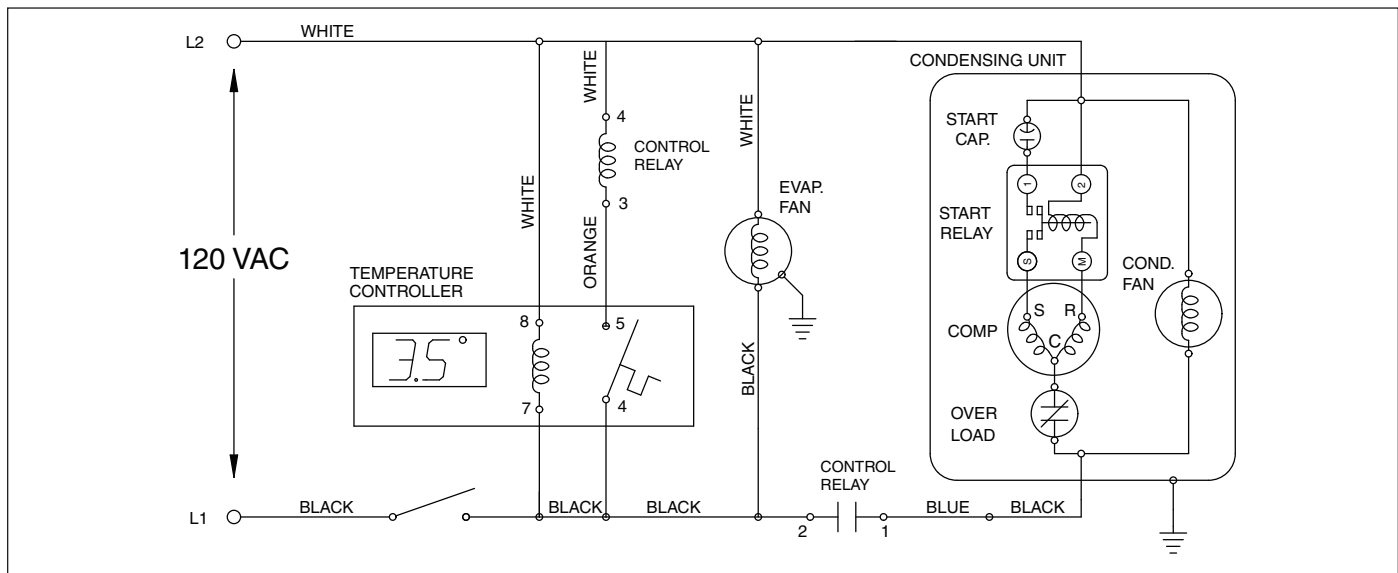
1. Shut down unit by moving rocker switch on the lower front panel to the OFF position and removing power cord from receptacle.
2. Remove 6 screws from front panel and slide panel forward to access back of controller.
3. Disconnect front panel and wiring harness at the 4-, and 5-pin connectors.
4. Push in on center of side brackets (on controller) to release and slide brackets back and off controller.
5. Push controller and wires out through front of front panel.
6. Using the wiring diagram attached to front panel as a guide, remove wires one at a time from back of existing controller and connect to corresponding terminals on replacement controller.
7. Insert replacement controller back through front of panel.
8. Slide brackets onto sides of controller and push against back of front panel.
9. Reconnect 4-, and 5-pin connectors of wiring harness.
10. Keeping wiring clear of condenser, replace front panel.
11. Restore power and test operation. Reprogram replacement controller if necessary.

Wiring Diagram

REF4-ADA, REF5



REF5-BB



Refrigeration System

The REF Series refrigeration system is designed to give many years of trouble-free service. Except for routine cleaning of the air-cooled condenser and related parts, the refrigeration system requires no service or maintenance. The system uses a capillary tube* and is critically charged. Access fittings are provided for ease of service. However, the connection of refrigeration service hoses to the fittings will almost invariably result in a significant change in the system charge. This change can adversely affect the performance of your refrigerator. Therefore, Follett recommends that if hoses are ever connected to the refrigeration system for service, the refrigerant should be recovered, the system evacuated, and recharged by weighing in the correct refrigerant charge.

Note: Do not charge the system by pressures.

* REF5-BB uses a thermostatic expansion valve.

Checking Refrigeration System Pressures

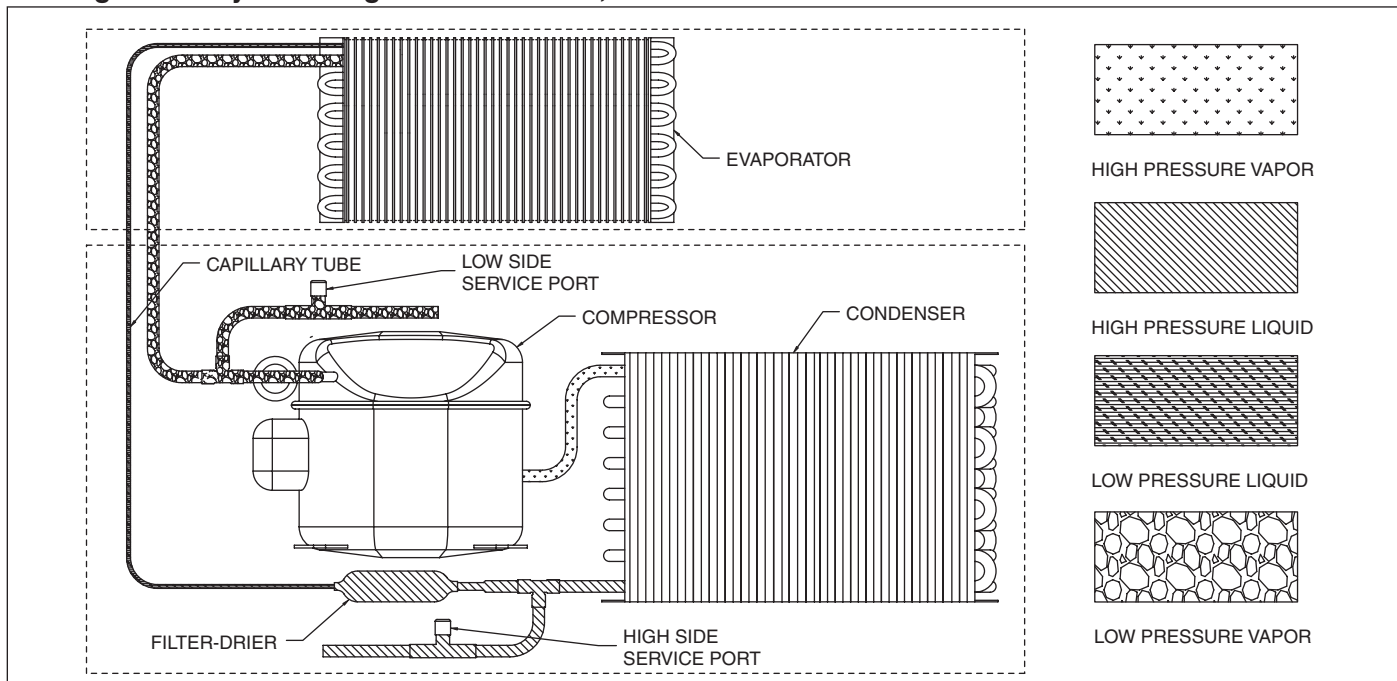
1. Remove the rear access panel (**Fig. 14**).
2. Turn the power switch to the on position.
3. Following the instructions in *Controller Operation on page 6*, verify that the temperature controller is set to the original factory cut-in setting of 42 F (5.5 C).
4. Allow the refrigerator to operate and stabilize at least 30 minutes, verifying the cut-out temperature is being reached.
5. Connect refrigerant hoses to access fittings and measure air temperature at condenser intake grille.
6. Verify correct pressures with the temperature chart below.
7. Troubleshoot refrigeration system as needed.

REF4-ADA, REF5

Condenser inlet air temperature	70 F (21.1 C)	80 F (26.7 C)	90 F (32.2 C)	100 F (37.8 C)
Discharge pressure (psi)	198	230	270	311
Suction pressure (psi)	25	31	38	46

Note: Do not attempt to obtain correct refrigeration pressures by adjusting the system charge.

Refrigeration System Diagram - REF4-ADA, REF5

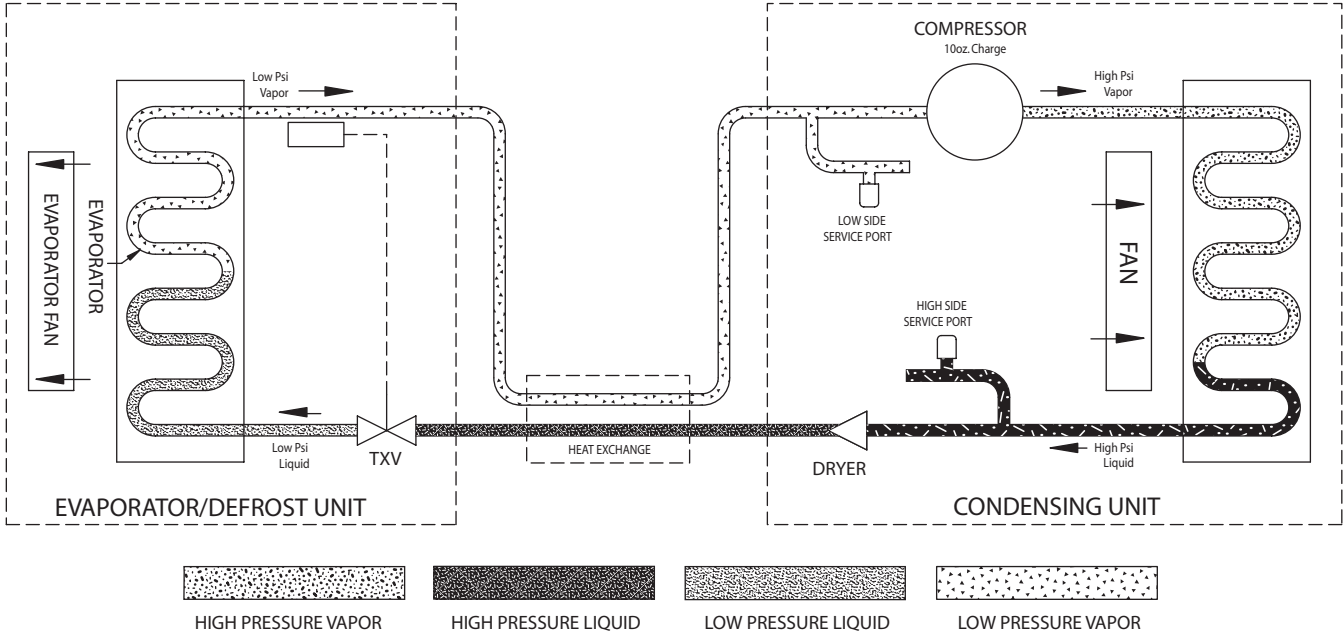


REF5-BB

Condenser inlet air temperature	70 – 100 F (21.1 – 37.8 C)
Discharge pressure (psi)	190 – 210
Suction pressure (psi)	25

Note: Do not attempt to obtain correct refrigeration pressures by adjusting the system charge.

Refrigeration System Diagram - REF5-BB



Troubleshooting Guide

Before calling for service

1. Check that unit is plugged in.
2. Test outlet with another appliance to verify power.

Symptom	Possible Cause	Solution
Refrigerator does not operate (no components run).	Power switch faulty or in OFF position; loose connection.	Turn power switch to ON; check switch and connections.
	Refrigerator not plugged in.	Connect plug.
	No power to cord.	Restore power.
	Temp controller not energizing components.	Check controller contact terminals for power. Replace controller if needed.
	Probe not sensing set point temperature.	Replace controller and/or probe.
Compressor does not run.	Thermal overload open or defective.	Allow to cool or replace.
	Capacitor and/or relay defective.	Replace as required.
	Compressor defective.	Replace compressor.
Evaporator fan motor does not run.	Defective fan motor.	Replace fan motor.
Refrigerator does not shut off.	Controller not sensing cut-off temperature.	Replace controller and/or probe.
	Controller keeping refrigeration system energized.	Replace controller.
	Control relay faulty.	Replace control relay.
Refrigerator does not maintain temperature (all components run).	Condenser or evaporator coil needs cleaning.	Clean coils.
	Faulty door gasket.	Replace door gasket.
	Excessively high ambient or inadequate air clearance.	Maximum recommended ambient is 100 F (38 F).
	Refrigerant leak.	Locate and repair leak.
	Incorrect refrigerant charge.	Recover, evaluate and weigh in correct charge.
	Plugged capillary tube.	Replace capillary tube and filter drier.
	Inefficient compressor.	Consult technical services.

If problems persist after following this basic troubleshooting guide, call Follett's technical service group at (877) 612-5086 or (610) 252-7301.

Accessory Installation

The following instruction sheets are available in the download section of the Follett website (www.follettice.com).

Temperature Surveillance Module Accessory

- Reference instruction 00168609 (packed with module)

Temperature Alarm Accessory

- Reference instruction 00112052 (packed with alarm)

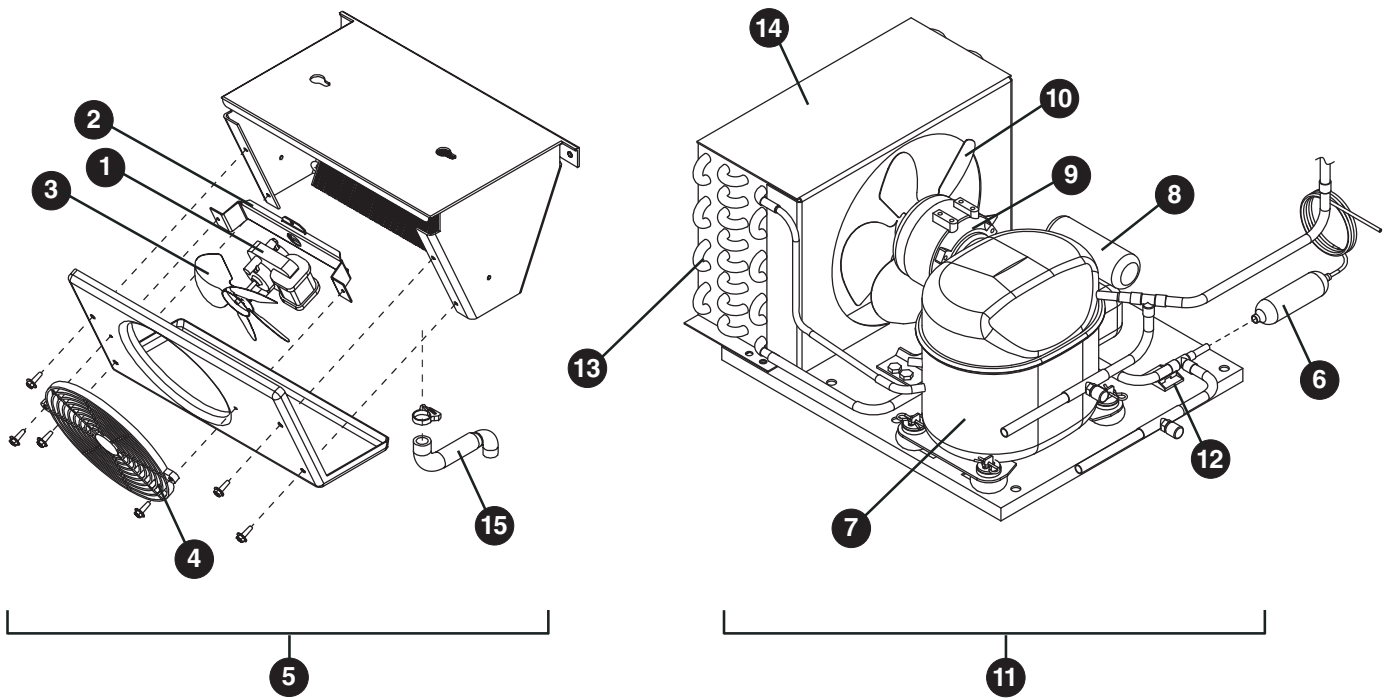
Pedestal Base

- Reference instruction 00192534 (packed with base)

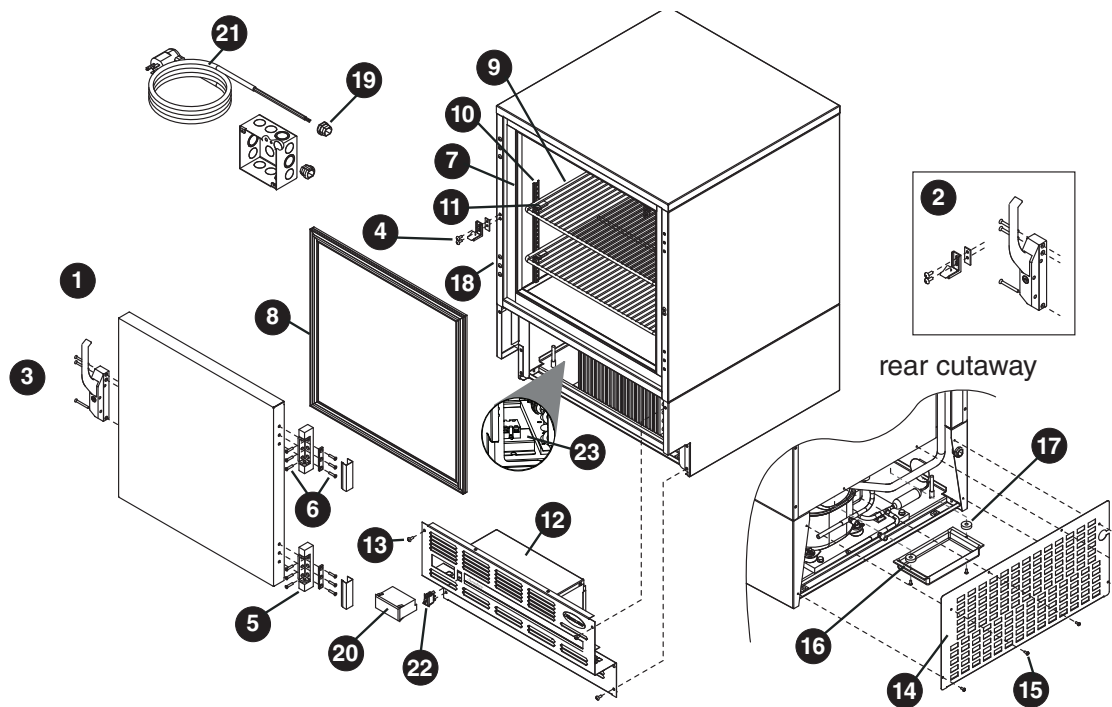
Stacking Kit

- Reference instruction 00192526 (packed with stacking kit)

Replacement Parts for REF4-ADA, REF5



Reference #	Description	Part #
1	Fan motor, evaporator	00104919
2	Bracket, fan motor	00104927
3	Fan blade	00104935
4	Fan guard	00104943
5	Evaporator with coated coil (includes parts above)	01059203
6	Filter drier & capillary tube	00103267
7	Compressor	01061944
8	Starting capacitor	01026145
Not shown	Starting relay	00104976
Not shown	Overload protector	00104984
9	Condenser fan motor	00104992
10	Condenser fan blade	00105007
Not shown	Fan motor bracket	00157412
11	Condensing unit	00105106
12	Wiring strain relief	00105577
13	Condenser	00105619
Not shown	Cap, starting capacitor	00105627
14	Shroud, condenser	00157347
15	Drain tube, evaporator (includes clamp)	00121681



Hardware

Reference #	Description	Part #
1	Door, REF5 (includes gasket – 21 3/8" x 21 3/8")	00105015
Not shown	Door, REF4-ADA (includes gasket – 21 3/8" x 18 5/8")	00113910
2	Latch & striker (includes screws)	00105023
3	Latch screws (each – 3 per latch)	00103507
4	Striker screws (each – 2 per striker)	502287
5	Hinge (each – 2 required, includes screws)	00105031
6	Hinge screws (each – 6 per hinge)	00105080
7	Strip sealer (set of 4), REF5	00130138
Not shown	Strip sealer (set of 4), REF4-ADA	00130146
8	Gasket, REF5 (21 3/8" x 21 3/8" door)	00125732
Not shown	Gasket, REF4-ADA (21 3/8" x 18 5/8" door)	00127738
9	Shelves, full (each)	00103283
Not shown	Shelf, upper (cut out)	00127753
10	Pilaster (each)	00105346
Not shown	Thumb screws (set of 8)	00105353
11	Shelf support (snap-in, each)	00156240
12	Lower front panel (includes 00114371 and screws)	00130120
13	Front panel screws (each – 6 per panel)	00105379
14	Rear panel (includes screws)	00130161
15	Screws, rear panel (each – 6 per panel)	00105387
16	Condensate tray (includes screws & spacers)	00103275
Not shown	Key	00105072
17	Spacer, condensate pan	00105098
Not shown	Seal, bushing, rear panel	00114512
18	Finishing plug	00105536
Not shown	Leveling leg	00128900
19	Strain relief, power cord	00105403

Electrical Components

Reference #	Description	Part #
20	Temperature controller	00900084
Not shown	Temperature probe and harness	00183731
21	Power cord	00103903
22	Power switch, recessed mount	00114371
Not shown	Strain relief, wiring, front panel	00105577
Not shown	Programming key C or F	00924076
23	Control relay	00976852

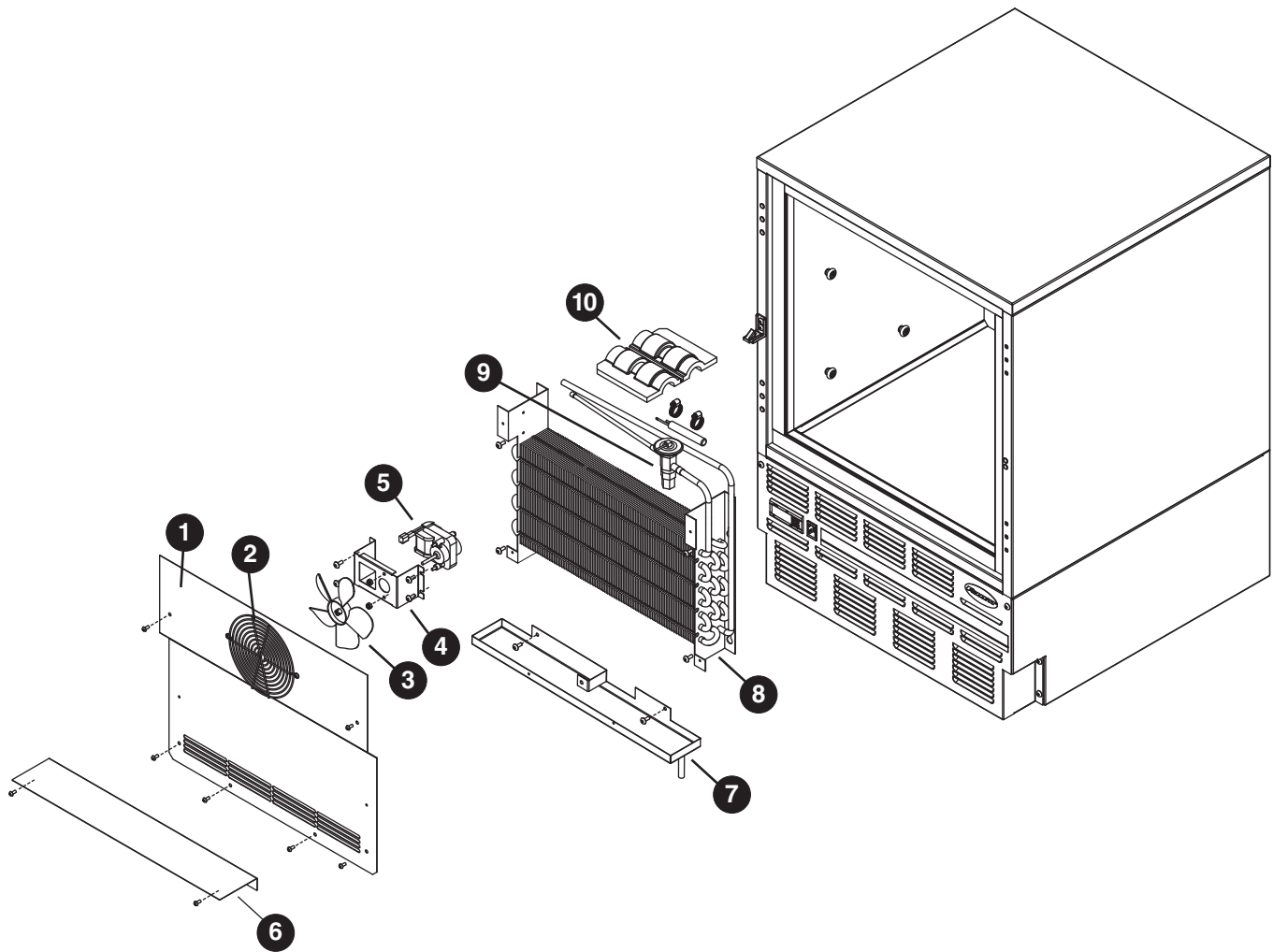
Temperature Alarm Accessory

Reference #	Description	Part #
Not shown	Bottle kit (includes bottle, bracket and gasket)	00113779
Not shown	Controller kit (includes battery, probe and power supply)	00108175
Not shown	Gasket, bottle	00112029
Not shown	Bracket, bottle	00112011
Not shown	Bottle	00112037
Not shown	Battery	00112177
Not shown	Screws, (includes two for securing cover)	00115063
Not shown	Label, controller cover	00115071
Not shown	Temperature probe	00115097

Door Brackets for Automated Medication Dispensing Systems Compatibility

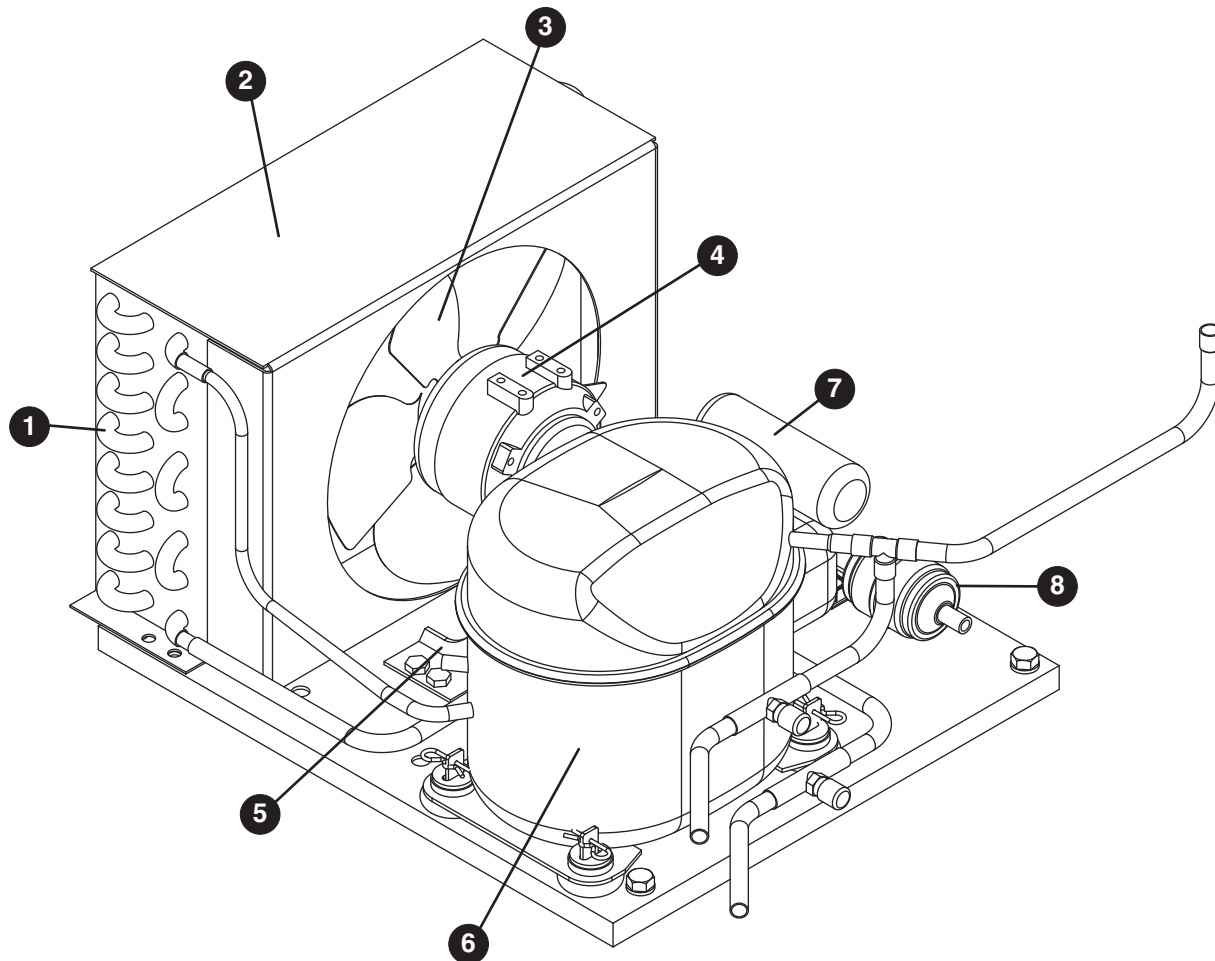
Reference #	Description	Part #
Not shown	Omnicell door bracket	00158014
Not shown	Pyxis door bracket	00114702

Replacement Parts for REF5-BB



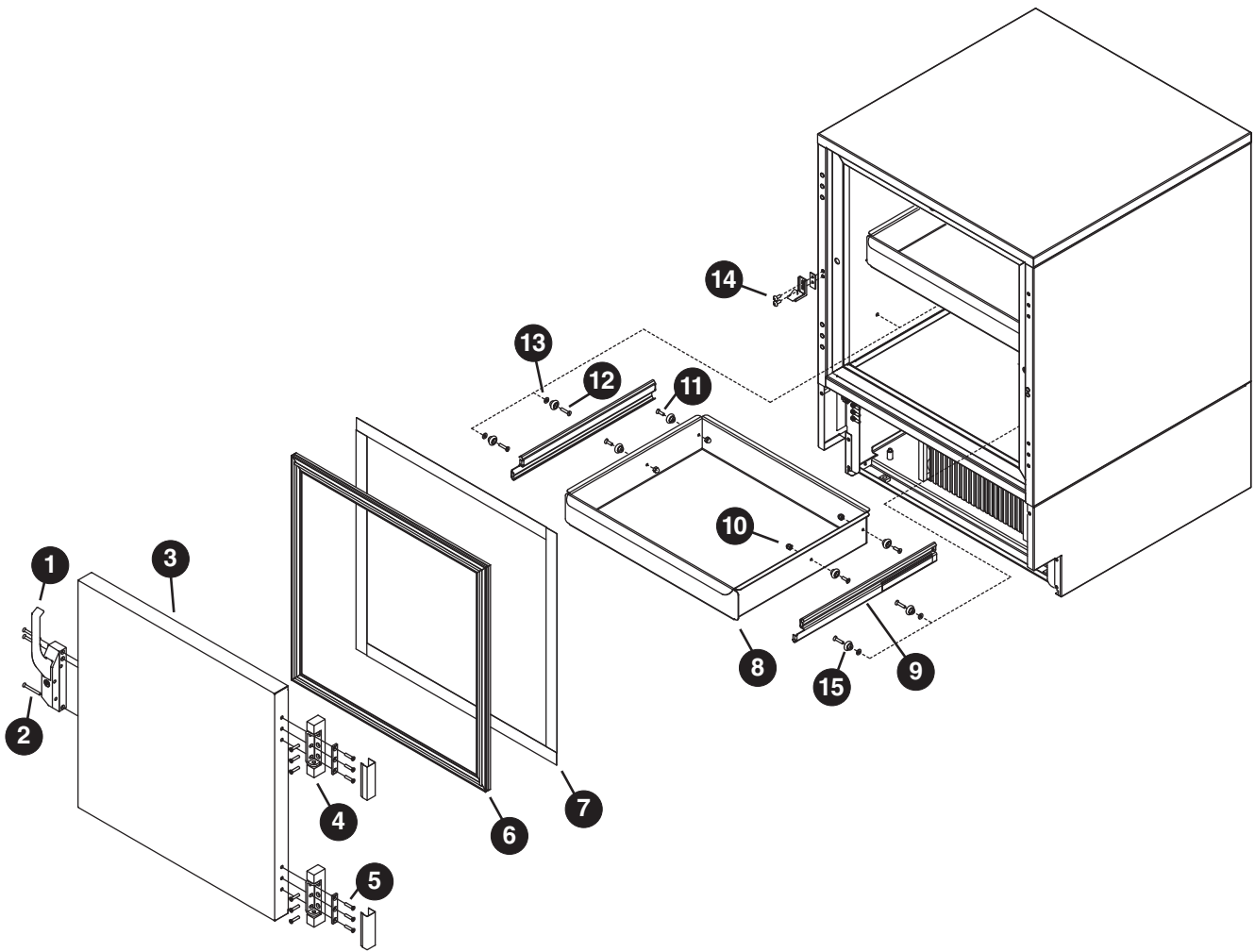
Evaporator

Reference #	Description	Part #
1	Cover, evaporator, (includes 00152892)	00155564
2	Fan guard	00152892
3	Fan blade	00152991
4	Bracket, fan motor	00152983
5	Fan motor, evaporator	00104919
6	Air baffle	00165126
7	Drain pan, evaporator	00162511
8	Evaporator	00151563
9	Expansion valve (includes 00106534)	00165118
10	Insulation, bulb	00106534



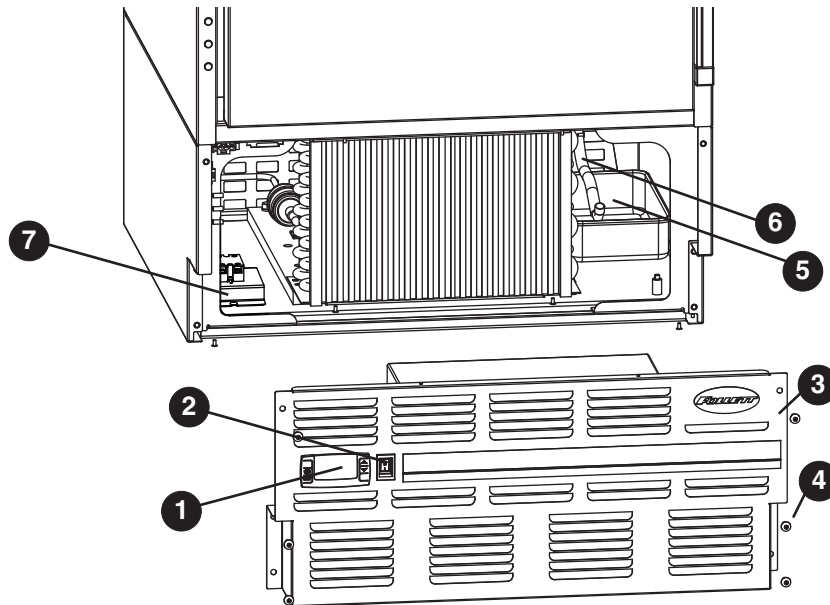
Condensing Unit

Reference #	Description	Part #
	Condensing unit	00105106
1	Condenser	00105619
2	Shroud, condenser	00157347
3	Condenser fan blade	00105007
4	Condenser fan motor	00104992
5	Fan motor bracket	00157412
6	Compressor (includes filter drier)	00969139
7	Starting capacitor	00104968
8	Filter drier	502724
Not shown	Cap, starting capacitor	00105627
Not shown	Starting relay	00104976
Not shown	Overload protector	00104984



Hardware

Reference #	Description	Part #
1	Latch & striker includes screws	00105023
2	Latch screws, 3 per latch	00103507
3	Door, REF5-BB (includes gasket - 21 3/8" x 21 3/8")	00105015
4	Hinge, each - 2 required, includes screws	00105031
5	Hinge screws, each - 6 per hinge	00105080
6	Gasket, REF5-BB	00125732
7	Strip sealer (set of 4) REF5-BB	00130138
8	Drawer (includes 8 and 4 each of 10, 11 & 15)	00165134
9	Drawer slides (pair)	00161927
10	Nut, acorn, each (4 required per drawer)	00161802
11	Screw, 5/8", each (4 required per drawer)	200093
12	Screw, 7/8", each (4 required per drawer)	00161794
13	Washer, each (4 required per drawer)	00161786
Kit	Drawer & slide mounting hardware kit (includes 8, 9, 4 each of 10, 11, 12, 13 and 8 each of 15)	00165142
14	Striker screws, each - 2 per striker	502287
15	Bearing, roller	00167726
Kit	Slide & bearings (includes 9 (pair) and 4 each of 12, 13 & 15)	00167924
Kit	Bearings & screws kit (includes 8 each of 15 and 4 each of 10, 11, 12 & 13)	00167957



Hardware and Electrical Components

Reference #	Description	Part #
1	Temperature controller	00900084
Not shown	Temperature probe & harness	00165167
2	Power switch	00114371
3	Front panel (includes 00114371 and 00105379)	00165159
4	Front panel screws, each - 6 per panel	00105379
Not shown	Rear panel, includes screws	00130161
Not shown	Rear panel screws, each - 6 per panel	00105387
5	Condensate pan	00155622
6	Evaporator drain line, sold by the foot	203627
7	Control relay	00976852
Not shown	REF5-BB programming key C or F	00924076
Not shown	Power cord	00103903

Chart Recorder Related Items

Reference #	Description	Part #
Not shown	Bracket, bottle, 125 mL	00171132
Not shown	Gasket, bottle, 125 mL	00171124
Not shown	Bottle, with cap, 125 mL (gasket not included)	00171116
Not shown	Battery	00112177
Not shown	Chart paper, 6" 7-day, 7 day (qty 60)	00162099
Not shown	Pens, replacement (qty 6)	00162081
Not shown	Probe, chart recorder	00162073

Follett is a registered trademark of Follett Corporation, registered in US.



801 Church Lane • Easton, PA 18040, USA
Toll free (877) 612-5086 • +1 (610) 252-7301
www.follettice.com

00978890R04
© Follet Corporation 5/18