



## Contact Info

MVE Biological Solutions  
[www.mvebio.com](http://www.mvebio.com)

844-MVE-CRYO



# MVE HE 800 C

**Consistent Performance in a Compact Design.**

MVE Biological Solutions is proud to introduce the MVE HE 800C. With a smaller footprint, enhanced ergonomics, and industry-leading performance, this cryogenic technology is ideal for IVF facilities, clinical laboratories, research, and biopharma applications.



## Consistent Performance in a Compact Design.

The MVE HE 800 C from MVE Biological Solutions is a compact, high-performance cryogenic storage system designed to optimize space, efficiency, and sample management in laboratories and clinical environments.

### ○ High-Efficiency Storage for LN<sub>2</sub> Applications

The MVE HE 800 C is designed for optimal storage of straws in liquid nitrogen (LN<sub>2</sub>) or vapor environments. Our advanced technology delivers premium temperature stability and high-capacity storage, maintaining reliable and secure preservation of valuable specimens.

### ○ Sleek, Compact, and Accessible Design

The MVE HE 800 C freezer features a modern, space-saving design ideal for laboratories with limited space. The low lift-over height enhances user ergonomics, improving accessibility and reducing physical strain during daily operations.

### ○ Streamlined Sample Management & Consistent Performance

The MVE HE 800 C is compatible with SUC-1 systems, allowing for faster, more organized sample retrieval and streamlined inventory management. With exceptional thermal stability, it maintains ultra-low temperatures to provide dependable and consistent performance for long-term sample preservation.





# Compact Design. Endless Possibilities.

The MVE HE 800 C is an extension of our High-Efficiency Series, known around the world for reliability and performance, even when the requirements reach -190C.



○ **Operational Efficiency:** The MVE HE 800 C features an advanced automated LN<sub>2</sub> filling system, reducing the need for manual refills. This not only saves time and effort for laboratory personnel but also ensures a consistent and reliable LN<sub>2</sub> supply to maintain stable ultra-low temperatures, enhancing specimen preservation and operational efficiency.



○ **Enhanced Ergonomics:** The MVE HE 800 C is designed to minimize physical strain, offering an ergonomic solution that eliminates the need to reach under shelves or cabinets and significantly reduces bending over to lift canisters. The innovative design positions samples at a convenient countertop height, allowing lab personnel to retrieve and manage specimens more comfortably and efficiently, ultimately enhancing day-to-day operational workflow and safety.



○ **Reliable Preservation for Critical Sample Integrity:** The MVE HE 800 C is engineered to deliver exceptional thermal stability, ensuring consistent ultra-low temperatures critical for long-term sample preservation. Its advanced insulation and temperature management systems protect valuable biological specimens from fluctuations, providing peace of mind and reliable storage conditions for sensitive research and clinical applications.



○ **LN<sub>2</sub> Efficiency for Operational Savings:** The MVE HE 800 C is designed with advanced insulation and a sealed top structure, allowing it to consume less liquid nitrogen (LN<sub>2</sub>) compared to traditional wide-neck dewar or open-top freezers. This innovative design reduces LN<sub>2</sub> evaporation rates, lowering operational costs and minimizing the need for frequent refills. By optimizing LN<sub>2</sub> usage, the MVE HE 800 C provides an eco-friendly and cost-efficient solution for long-term sample storage.



7 XC 47/11 = 1 HE 800 C



# MVE HE 800 C Uses

The MVE HE 800 C from MVE Biological Solutions is a compact, high-performance cryogenic storage system designed to optimize space, efficiency, and sample management. Ideal for IVF facilities, biopharma, research, and clinical laboratories, it provides reliable, long-term preservation of critical specimens while enhancing operational workflow and storage capacity.



- **IVF Facilities:** The MVE HE 800 C is designed to meet the demanding storage needs of IVF facilities, where precision, efficiency, and space utilization are critical. Its compact size allows clinics to maximize valuable lab space without compromising storage capacity, making it an excellent solution for environments with spatial constraints. The advanced ergonomic design eliminates the need for bending or reaching under shelves, positioning samples at a convenient countertop height for easy, stress-free access. This streamlined approach to sample retrieval and storage not only enhances workflow efficiency but also promotes a safer, more comfortable working environment for laboratory staff managing sensitive reproductive specimens.



- **Clinical Laboratories:** The MVE HE 800 C is perfectly suited for clinical laboratories that require reliable, high-performance cryogenic storage to preserve sensitive biological samples. Its compact and space-efficient design allows clinical labs to maximize storage without compromising valuable workspace. The system's premium thermal stability ensures consistent ultra-low temperatures, safeguarding critical specimens like blood samples, tissue cultures, and diagnostic materials.



- **Research Institutions:** For research institutions focused on genetics, biomedicine, or other scientific studies, the MVE HE 800 C provides optimal storage for diverse biological samples that require long-term preservation under ultra-low temperatures. Its high-capacity design allows researchers to store large volumes of specimens without additional storage units, while its minimal LN<sub>2</sub> consumption helps control operational costs. The system's advanced temperature management ensures that research samples, such as cell lines, biological tissues, and DNA/RNA, remain stable and viable over time.



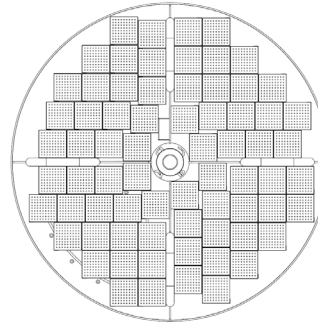
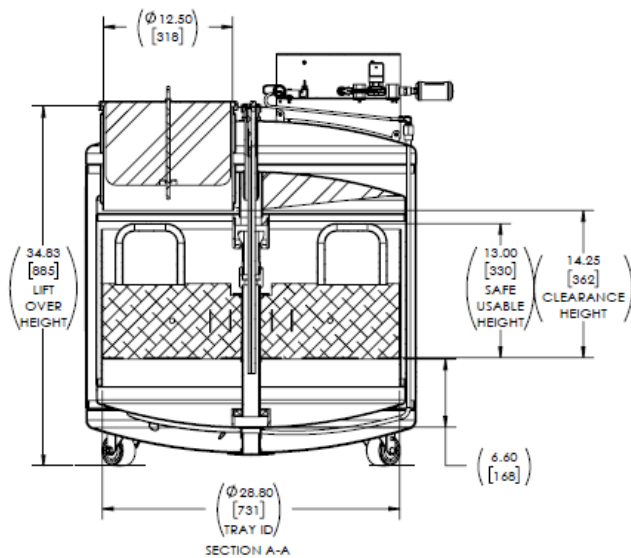
- **Biopharma Applications:** In biopharma applications, where the integrity of biological materials is essential for drug development and manufacturing, the MVE HE 800 C delivers dependable cryogenic storage. Biopharma companies can rely on its premium thermal stability and advanced insulation to maintain the integrity of sensitive materials such as vaccines, biologics, and cell cultures.



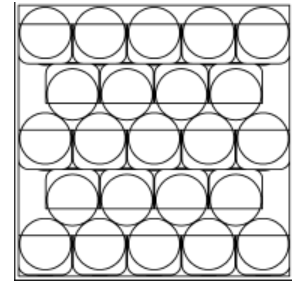
- **Backup or Quarantine LN<sub>2</sub> Freezer:** The new MVE HE 800 C is designed for flexibility in biorepository and laboratory storage, making it an ideal backup LN<sub>2</sub> freezer or quarantine freezer. With its high-efficiency insulation and liquid nitrogen vapor storage capabilities, it ensures secure, long-term sample protection during maintenance, emergencies, or validation periods. As a quarantine freezer, it provides a controlled environment for isolating new or potentially contaminated samples before integrating them into the main storage system. Its advanced design maximizes storage capacity while minimizing LN<sub>2</sub> consumption, offering reliable performance and cost efficiency.

# Technical Specs

All MVE facilities and products are registered and listed with the U.S. FDA.



Rack Layout



C-1 cane layout in SUC-1 box  
23 canes per box  
138 vials

## Specifications

### Performance:

- **Static NER:** 5 L / Day
- **LN<sub>2</sub> Capacity Liquid Full:** 205 L
- **LN<sub>2</sub> Capacity Vapor Storage:** 62 L
- **Static Hold Time - Vapor:** 11 Days
- **Static Hold Time - Liquid Full:** 40 Days

### Container Dimensions:

- **Neck Opening:** 12 1/2"
- **Usable Internal Height:** 13"
- **Inner Diameter:** 28 13/16"
- **Overall Height:** 44 9/16"
- **Liftover Height:** 34 13/16"
- **Outside Diameter:** 32"
- **Internal Diameter (Tray):** 28 13/16"
- **Weight Empty:** 330 lbs [145 kgs]
- **Weight Liquid Full:** 695 lbs [310 kgs]
- **Weight Vapor Storage:** 440 lbs [195 Kgs]

### Storage Working Capacity:

- **SUC-1 Canisters:** 71
- **1.0ml Vials:** 9,798
- **1.2ml Vials:** 10,224
- **2.0ml Vials:** 5,680
- **1/2cc Straws:** 22,010

## Benefits

- **Space-Saving:** Compact design ideal for constrained environments.
- **Operational Capacity:** 7 XC 47/11 = 1 HE 800 C
- **LN<sub>2</sub> Efficiency:** Consumes less LN<sub>2</sub> than a wide-neck dewar or open-top freezer
- **Enhanced Ergonomics:** Reduced physical strain by eliminating reaching under shelves or cabinets, virtually eliminating the need to bend over to lift canisters. Retrieve samples at counter-top height.
- **Reliable Preservation:** Maintains premium thermal stability for sample integrity.
- **Energy-Efficient:** Lower operation costs without compromising performance with controlled automated filling.

## Additional Accessories

- SUC-1 Rack Systems
- Backup Power Solutions
- Vacuum-jacketed Hose

## Americas

Customer Service:

+1-844-683-2796

customerservice.usa@mvebio.com

breeders.cs@mvebio.com

## EMEA

Customer Service:

+44 7718 488236

customerservice.europe@mvebio.com

breeders.europe@mvebio.com

## China (Domestic)

Customer Service:

+86 28 6572 9660

Jessy Yang – Direct: +86 28 6572 9668

customerservice.china@mvebio.com

## Asia Pac Rim

Customer Service: +01 404-383-1900

csasia@mvebio.com

## Australia & New Zealand

Customer Service:

+01 404-383-1900

MVE.Australia@mvebio.com

## Technical Service

Technical Service:

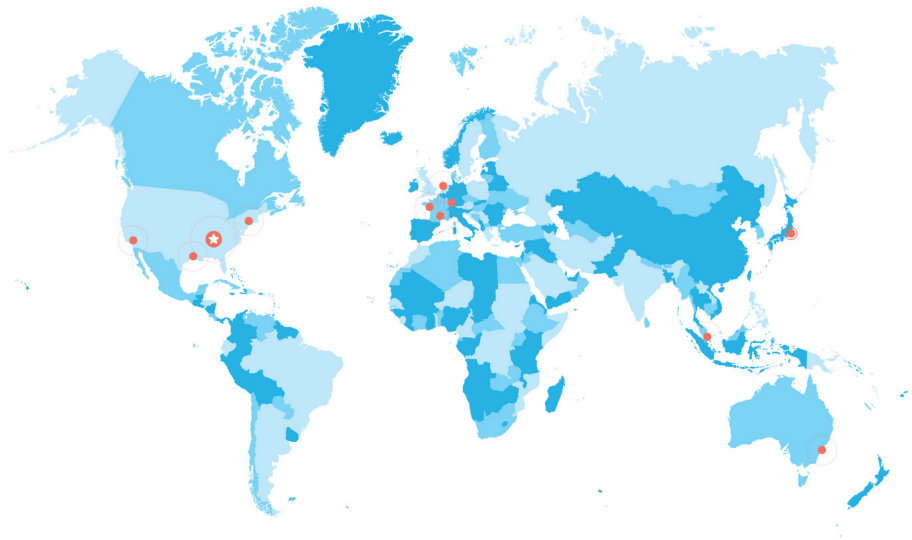
+01 404 383-1900

techservice@mvebio.com

Visit [www.mvebio.com](http://www.mvebio.com)  
for more information.

**Global Network, Local Impact:** With MVE's global footprint, we have the reach to support customers worldwide. Yet, our approach remains personal, with local expertise and support teams dedicated to your success.

## Our Locations



MVE Biological Solutions

3055 Torrington Drive

Ball Ground, GA 30107

Ph +1-470-552-2500

Toll Free +1-844-683-2796

Fax +1-404-383-1901

customerservice.usa@mvebio.com

techservice@mvebio.com

EC REP

Medical Products Service GmbH

Borngrasse 20

35619 Braunfels, Germany

+49-6442-962073

**Intended Use & Indication for Use of Cryogenic Storage and/or Transport.**

### STORAGE ONLY

MVE Freezers are intended for the maintenance of cryogenic temperatures during storage for the indication of preserving human or animal biological products, samples or specimens (e.g., blood, blood products, cells, tissues, etc.) during storage.

### STORAGE AND TRANSPORT

MVE Dewars and Vapor Shippers are intended for the maintenance of cryogenic temperatures during storage for the indication of preserving human or animal biological products, samples or specimens (e.g., blood, blood products, cells, tissues, etc.) during storage and or transportation.

CE 0459

© 2025 MVE Biological Solutions reserves the right to discontinue its products, or change the prices, materials, equipment, quality, descriptions, specifications and/or processes to its products at any time without prior notice and with no further obligation or consequence. All rights not expressly stated herein are reserved by us, as applicable.

