

NSRI231WSW/0

Product Description

Ensure the quality and durability of your products with Corepoint® Scientific Temperature Test Chambers. These chambers provide a controlled temperature environment to deliver superior product testing that meets ICH Q1A standards. Improve product quality, test packaging, increase shelf life, and enhance safety with these chambers. With natural refrigerants and smart controllers, these units feature some of the most advanced technology in the industry.

Images



Certifications



General Description and Application

| | |
|-----------------------------------|---|
| Storage Capacity (cu. ft.): | 23 cu. ft. |
| Door: | One solid, right hinged, self closing, magnetic door gasket for positive seal |
| Shelves: | Three stainless steel, sliding tray shelves |
| Drawers: | Not-applicable |
| Mounting and Installation: | Four swivel casters (3 1/2"), front casters locking |
| Interior Lighting: | Shielded, switched interior LED lighting |
| Airflow Management: | Plenum air distribution |
| External Probe Access: | Probe access port (3/4") |
| Insulation: | High density urethane foam cabinet and door insulation |
| Exterior Materials: | Powder coat steel |
| Access Control: | Keyed door lock |
| General Warranty: | Eighteen (18) month parts and labor warranty |
| Compressor Warranty: | Five (5) year compressor parts warranty |
| Product Weight (lbs): | 356 lbs. |
| Shipping Weight (lbs): | 396 lbs. |
| Rated Amperage: | 12 Amps |
| Power Plug/Power Cord: | NEMA 5-15P conforms to UL471 requirements |
| Facility Electrical Requirement: | 115VAC/60Hz |
| Agency Listing and Certification: | ETL Listed |

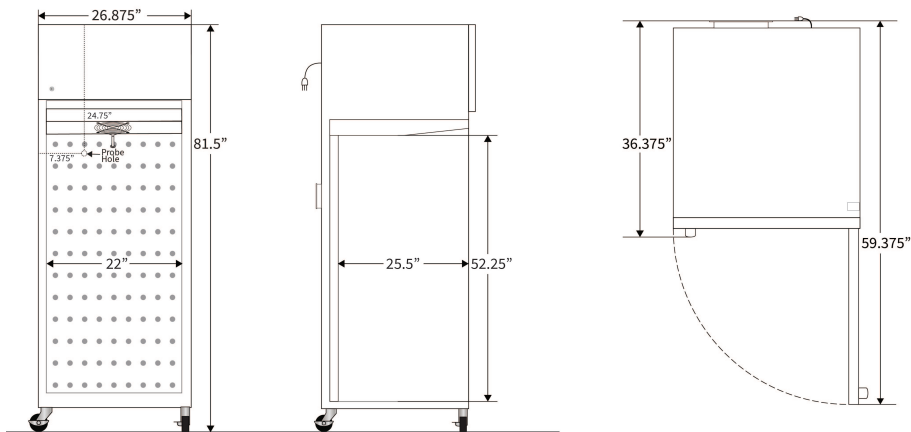
Performance

| | |
|------------------------------|---|
| Uniformity (Cabinet Air): | +/- 1°C from 4°C to 70°C |
| Stability (Cabinet Air): | +/- 0.5°C maximum from 4°C to 70°C |
| Temperature Control: | +/-0.1°C |
| Temperature Set Point Range: | 4°C to 70°C |
| Disclaimers: | Specifications are subject to change. For optimal uniformity at set points above 50°C, settings adjustments may be required based on load conditions and chamber configuration. |

| Refrigeration System | |
|----------------------|---|
| Compressor: | Top mounted, variable speed compressor |
| Refrigerant: | HFC-free refrigerant (R600a) |
| RH Sensor Type: | Capacitive |
| Temp Sensor Type: | NTC |
| Other: | Multi-element, independent proportional electric heating, condensate evaporation. |

| Controller, Configuration, Alarms and Monitoring | |
|--|--|
| Controller Technology: | Proportional Integral Derivative (PID) microprocessor with LCD display, °C/°F switchable |
| Battery Backup: | Controller |
| Display Technology: | LCD display |
| Digital Communication: | RS-485 (MODBUS) |
| Data Transfer: | USB port for data transfer and software updates |
| Chart Recorder: | Not-applicable |
| Adjustable Temperature Range: | 4°C to 70°C |
| External Alarm Connection: | State switching remote alarm contacts |
| Alarms: | Visual alarm indicator, audible alarm indicator, process phase specific temp alarm, power failure alarm, sensor failure alarm |
| Controller Information: | <ul style="list-style-type: none"> Programmable ramp and soak USB data port Real time clock Event logs: 100 Process phase specific temp alarm |

| Dimensions | | | | | |
|------------|-------------|-------------|--------------|------------------|------------------------|
| | Width (in.) | Depth (in.) | Height (in.) | Door Swing (in.) | Total open Depth (in.) |
| Exterior | 26.875" | 36.375" | 81.5" | 23" | 59.375" |
| Interior | 22" | 25.5" | 52.25" | | |



| Contact | | |
|-------------------|---------------------------------------|--|
| Customer Service | 800-648-4041 Option 3 | customerservice@horizonscientific.com |
| Technical Service | 800-648-4041 Option 5, Parts Option 4 | technicalservice@horizonscientific.com |