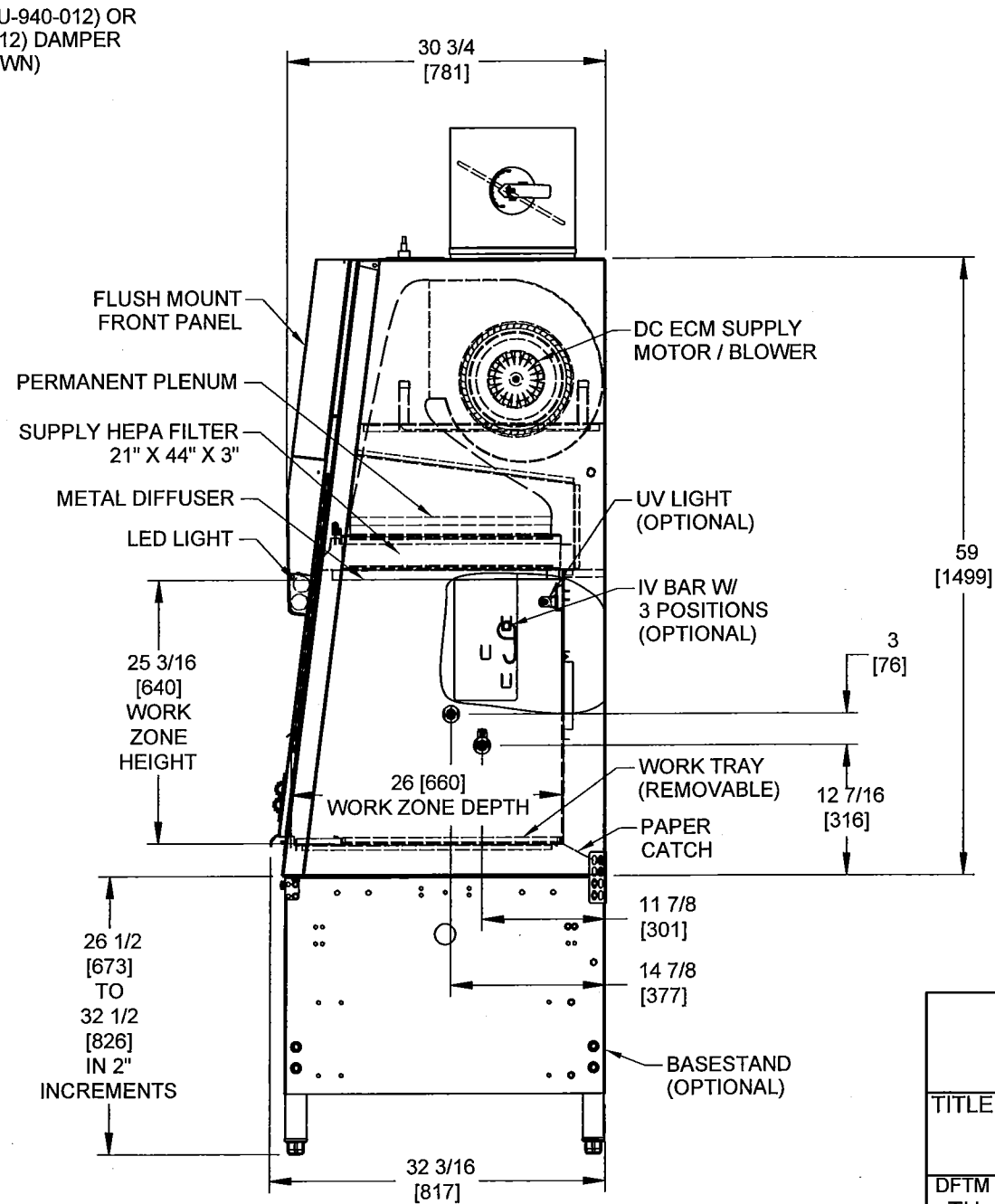
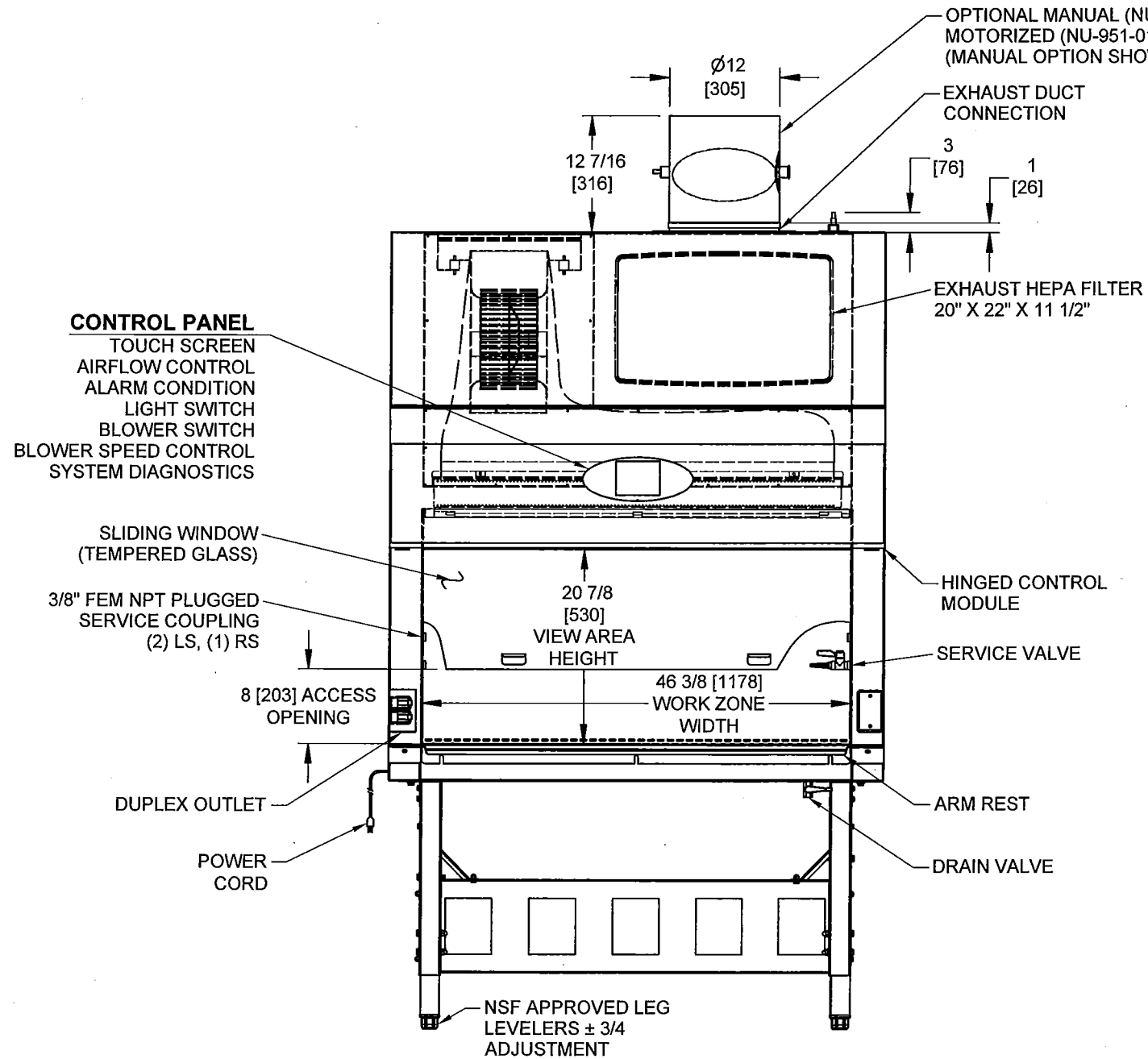
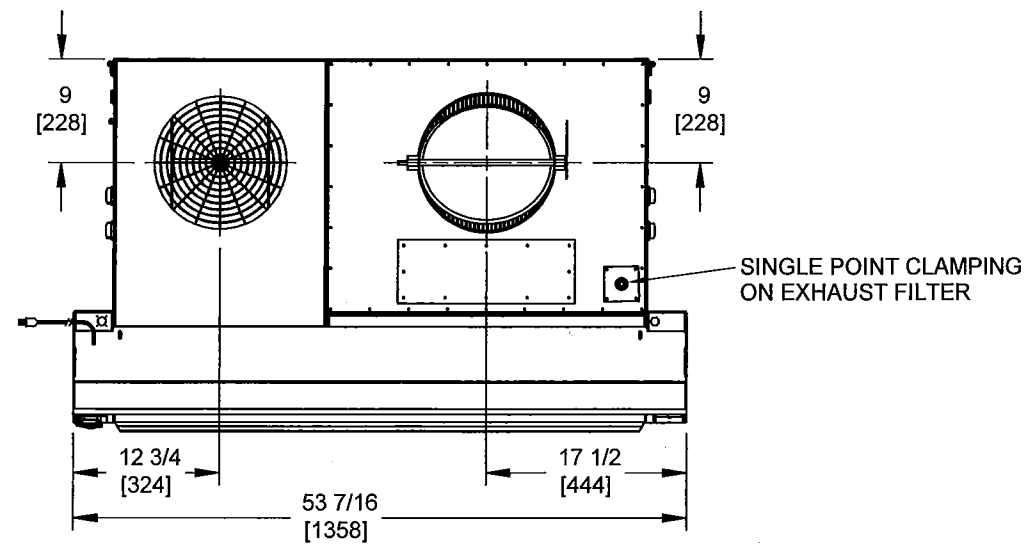


REV	ECO	DESCRIPTION	DATE	DFTM	CHKD
A	13327	RELEASED TO PRODUCTION	4/19/2017	TH	BP



ORIGINAL			
TITLE			
NU-560-400			
CLASS II, TYPE B2 (ENERGY SAVER)			
BIOLOGICAL SAFETY CABINET			
DFTM	DATE	CHKD	SHEET
TH	4/19/2017	BP	1 OF 1
DRAWING NUMBER		BCD-19029	
			A