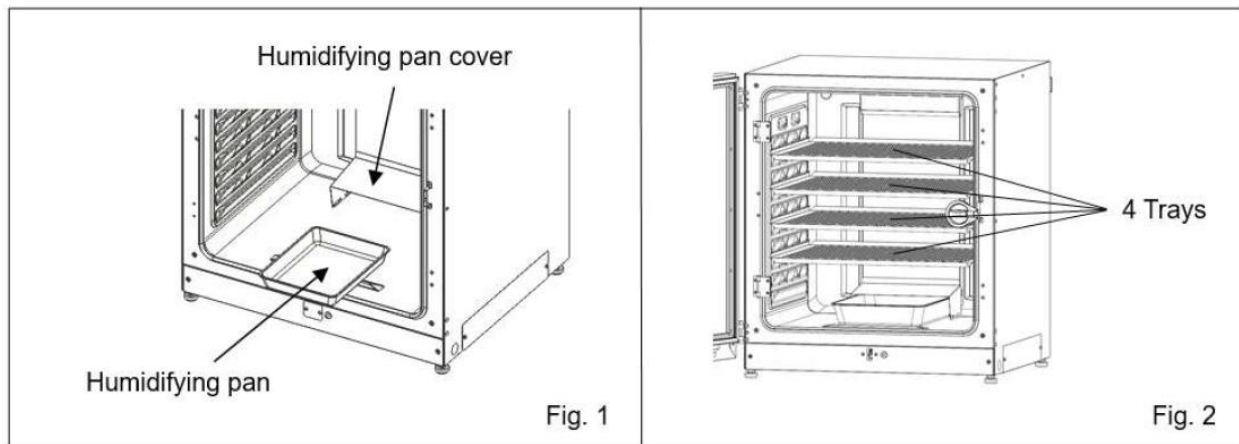


Instructions For Use:

MCO230AICUV - IncuCyte kit

Installation

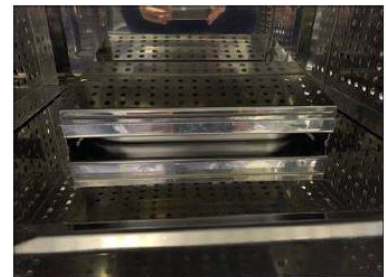
1. Follow the installation instruction from the original instructions for use of the MCO-230AIC-PA.
2. Take out the original humidifying pan, humidifying pan cover and the 4 trays (see Fig. 1 and 2).



3. Place the smaller humidifying pan with part number 624 230 4548 on the bottom of the incubator and make sure to place it with the long side against the back wall of the incubator so water accumulated on the dew stick will drip in this humidifying pan.



4. Place the complete humidifying pan cover with part number 624 230 4555 over the humidifying tray and make sure to place it against the back wall of the incubator.



5. Place the stand, NU-STAND-230AICGEN, for the IncuCyte S3 system on the bottom of the incubator
6. Install the IncuCyte S3 inside the incubator. Set temperature to 36.5 °C (see manual of MCO-230AIC-PA to adjust).

Adjustment heater balance

1. Go into the service mode of the incubator by pressing the Menu key more than 5 sec. at top display to move to Service code display.



2. Input "384" at Service code display and press OK key. (Note) If incorrect service code is input, "Notice" is displayed and return to 1. top display. Input correct service code again. (service code cannot be changed)



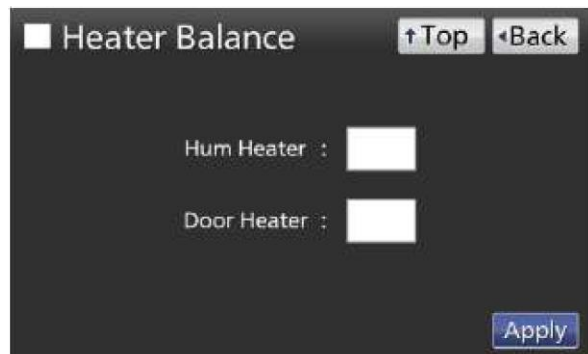
3. Move to Menu display and Service key can be pressed. Press Service key.



4. Press Heater Balance key. Hum Heater: Bottom heater Door Heater: Door heater



5. Adjust the heater balance. Set the Hum Heater to 1 Set the Door Heater to 40 Press Apply key.



6. Press Top key to return to the top display.