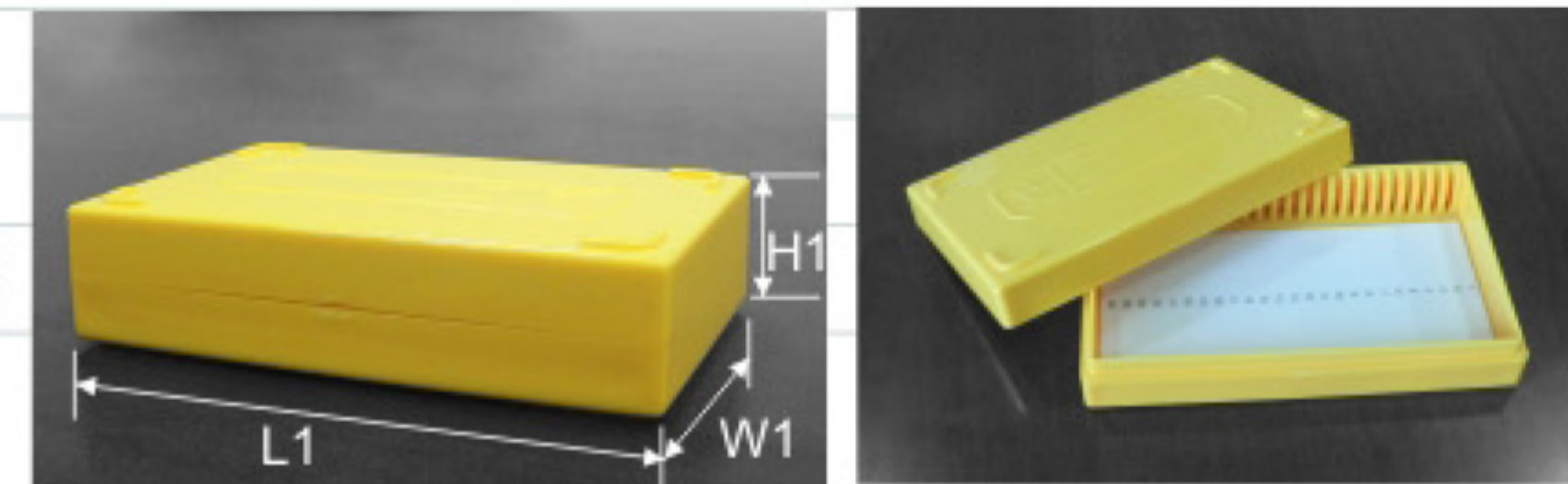


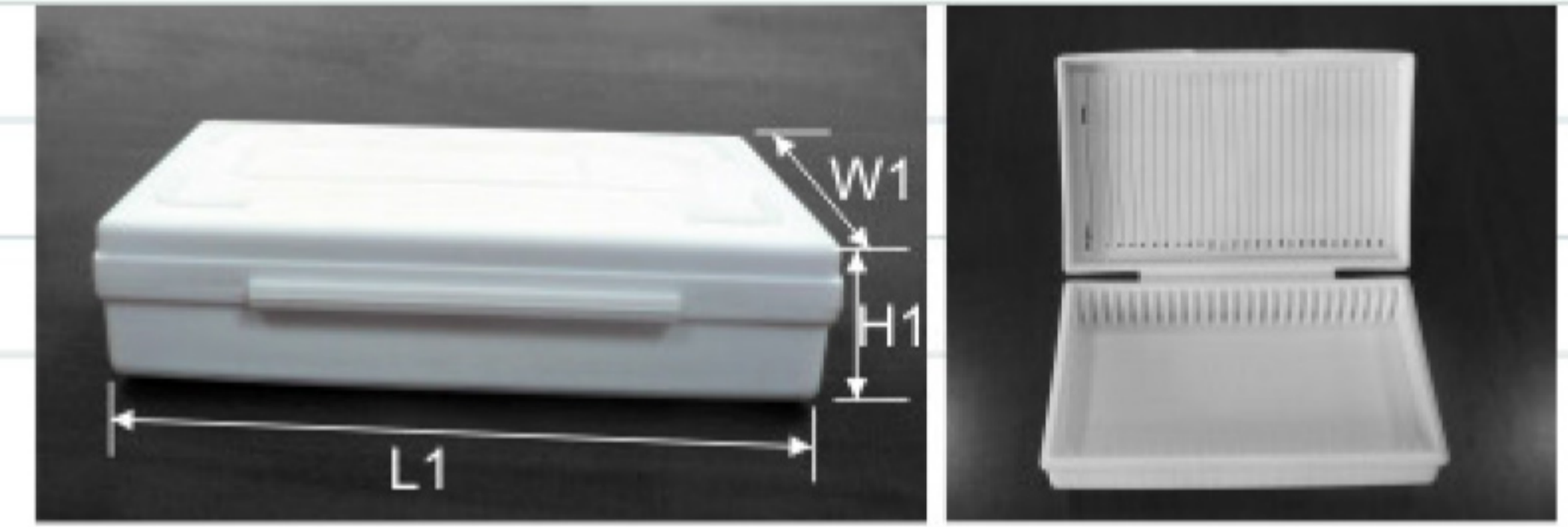
Material : Stainless Steel

Upright Freezer Racks

For 25-Place Slide Boxes

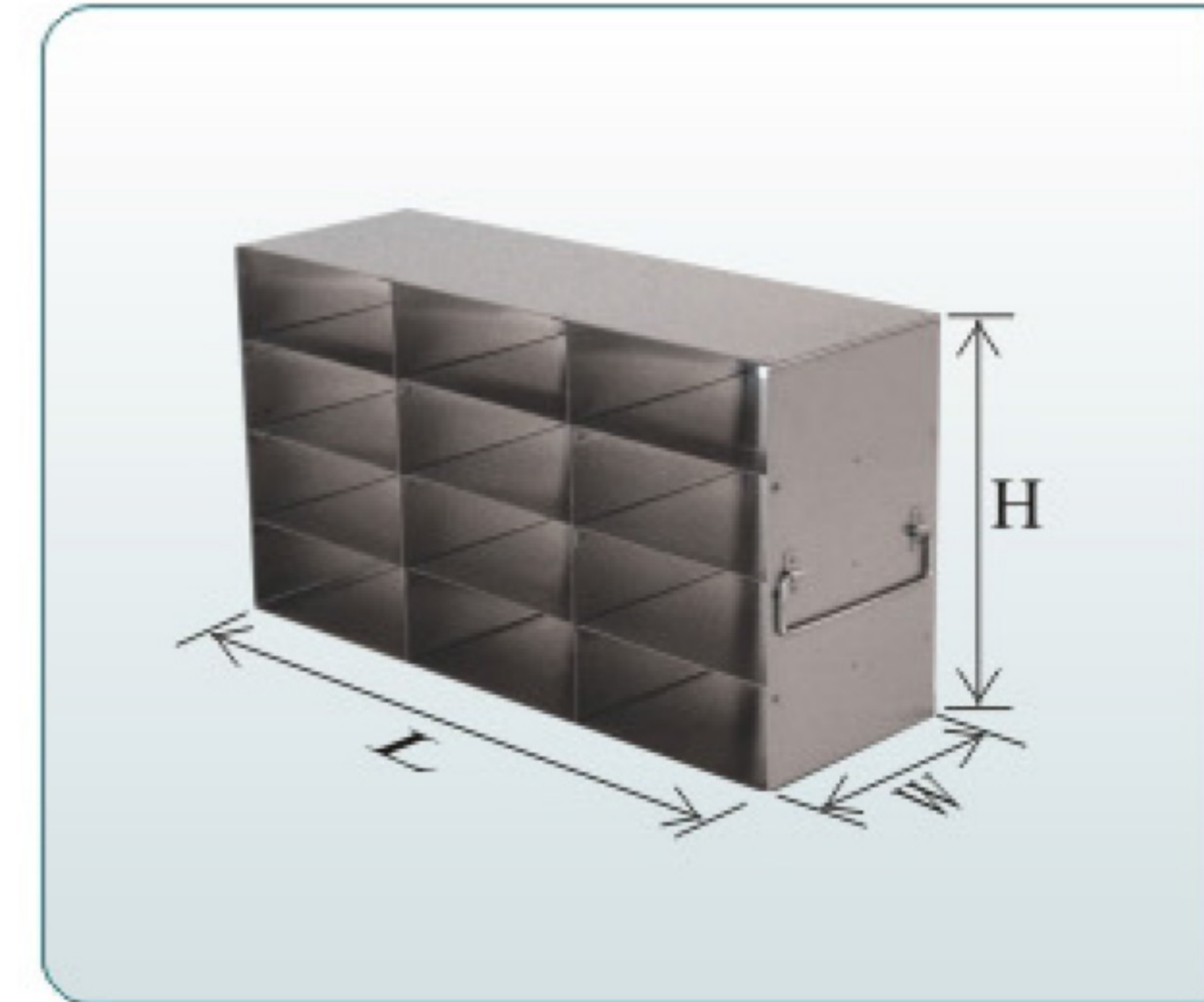


L1 x W1 x H1: 5.5" x 3.6" x 1.4"
140 x 91 x 35mm



L1 x W1 x H1: 5.5" x 3.3" x 1.4"
140 x 83 x 34mm

Racks are for 25-Place Slide Boxes Dimensions: 1.4"H x 3.6"W x 5.5"L (35H x 91W x 140L) mm. High quality Upright Freezer Racks, including handles, are constructed with corrosion resistant stainless steel and offer convenient storage of slide samples in an organized fashion. Each rack compartment holds a single 25-Slide Box. Security lock devices are also available for each rack. Using the internal dimensions obtained for your freezer shelf space (see page 1, fig 1) determine the height (H), length (L) and width (W) of each rack you select for your upright freezer.



Rack Only

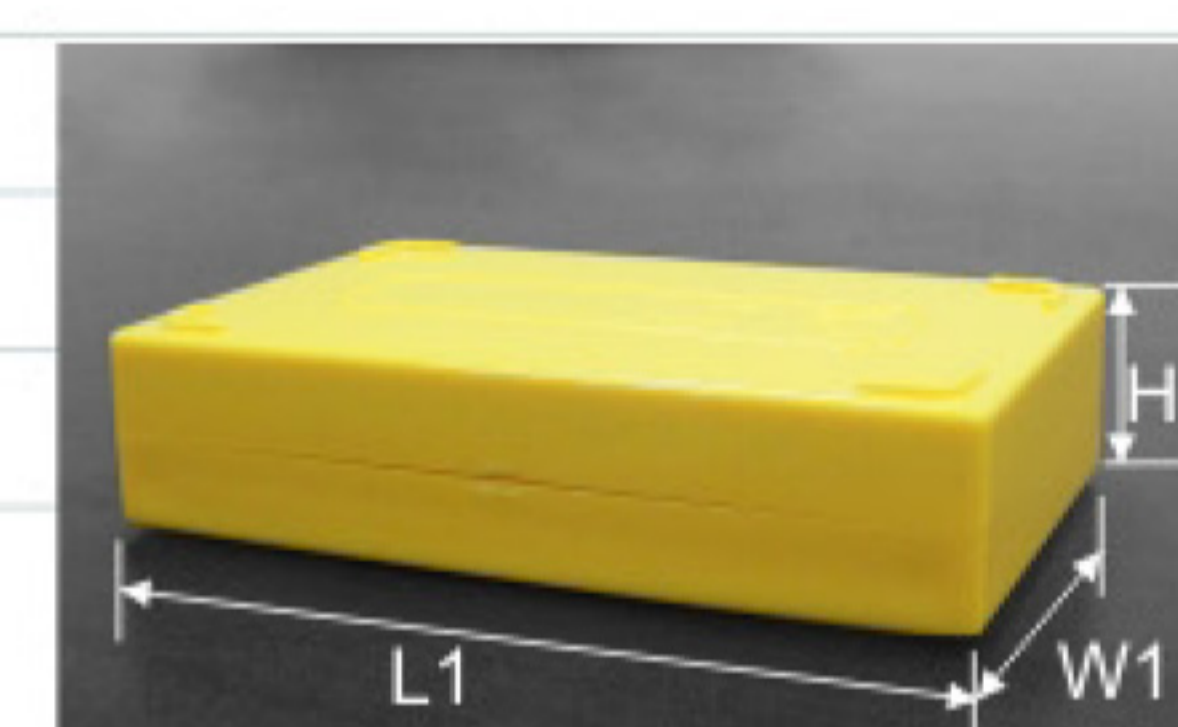
Part Number	Dimension L x H x W		Capacity	Lock Device Option*
UFS-25-34	283.5x156.5x145mm	11 ¹ / ₁₀ x 6 ¹ / ₅ x 5 ⁷ / ₁₀ inch	12	DP25-1006
UFS-25-44	377x156.5x145mm	14 ⁴ / ₅ x6 ¹ / ₅ x 5 ⁷ / ₁₀ inch	16	DP25-1406
UFS-25-54	471x156.5x145mm	18 ¹ / ₂ x6 ¹ / ₅ x 5 ⁷ / ₁₀ inch	20	DP25-1806
UFS-25-64	564.5x156.5x145mm	22 ¹ / ₅ x6 ¹ / ₅ x 5 ⁷ / ₁₀ inch	24	DP25-2106
UFS-25-74	658x156.5x145mm	25 ⁹ / ₁₀ x6 ¹ / ₅ x 5 ⁷ / ₁₀ inch	28	DP25-2506
UFS-25-35	283.5x195x145mm	11 ¹ / ₁₀ x7 ⁷ / ₁₀ x 5 ⁷ / ₁₀ inch	15	DP25-1008
UFS-25-45	377x195x145mm	14 ⁴ / ₅ x7 ⁷ / ₁₀ x 5 ⁷ / ₁₀ inch	20	DP25-1408
UFS-25-55	471x195x145mm	18 ¹ / ₂ x7 ⁷ / ₁₀ x 5 ⁷ / ₁₀ inch	25	DP25-1808
UFS-25-65	564.5x195x145mm	22 ¹ / ₅ x7 ⁷ / ₁₀ x 5 ⁷ / ₁₀ inch	30	DP25-2108
UFS-25-75	658x195x145mm	25 ⁹ / ₁₀ x7 ⁷ / ₁₀ x 5 ⁷ / ₁₀ inch	35	DP25-2508
UFS-25-36	283.5x233.5x145mm	11 ¹ / ₁₀ x9 ¹ / ₅ x 5 ⁷ / ₁₀ inch	18	DP25-1009
UFS-25-46	377x233.5x145mm	14 ⁴ / ₅ x9 ¹ / ₅ x 5 ⁷ / ₁₀ inch	24	DP25-1409
UFS-25-56	471x233.5x145mm	18 ¹ / ₂ x9 ¹ / ₅ x 5 ⁷ / ₁₀ inch	30	DP25-1809
UFS-25-66	564.5x233.5x145mm	22 ¹ / ₅ x9 ¹ / ₅ x 5 ⁷ / ₁₀ inch	36	DP25-2109
UFS-25-76	658x233.5x145mm	25 ⁹ / ₁₀ x9 ¹ / ₅ x 5 ⁷ / ₁₀ inch	42	DP25-2509
UFS-25-37	283.5x272x145mm	11 ¹ / ₁₀ x10 ⁷ / ₁₀ x 5 ⁷ / ₁₀ inch	21	DP25-1011
UFS-25-47	377x272x145mm	14 ⁴ / ₅ x10 ⁷ / ₁₀ x 5 ⁷ / ₁₀ inch	28	DP25-1411
UFS-25-57	471x272x145mm	18 ¹ / ₂ x10 ⁷ / ₁₀ x 5 ⁷ / ₁₀ inch	35	DP25-1811
UFS-25-67	564.5x272x145mm	22 ¹ / ₅ x10 ⁷ / ₁₀ x 5 ⁷ / ₁₀ inch	42	DP25-2111
UFS-25-77	658x272x145mm	25 ⁹ / ₁₀ x10 ⁷ / ₁₀ x 5 ⁷ / ₁₀ inch	49	DP25-2511
UFS-25-38	283.5x310.5x145mm	11 ¹ / ₁₀ x12 ¹ / ₅ x 5 ⁷ / ₁₀ inch	24	DP25-1012
UFS-25-48	377x310.5x145mm	14 ⁴ / ₅ x12 ¹ / ₅ x 5 ⁷ / ₁₀ inch	32	DP25-1412
UFS-25-58	471x310.5x145mm	18 ¹ / ₂ x12 ¹ / ₅ x 5 ⁷ / ₁₀ inch	40	DP25-1812
UFS-25-68	564.5x310.5x145mm	22 ¹ / ₅ x12 ¹ / ₅ x 5 ⁷ / ₁₀ inch	48	DP25-2112
UFS-25-78	658x310.5x145mm	25 ⁹ / ₁₀ x12 ¹ / ₅ x 5 ⁷ / ₁₀ inch	56	DP25-2512

Material : Stainless Steel

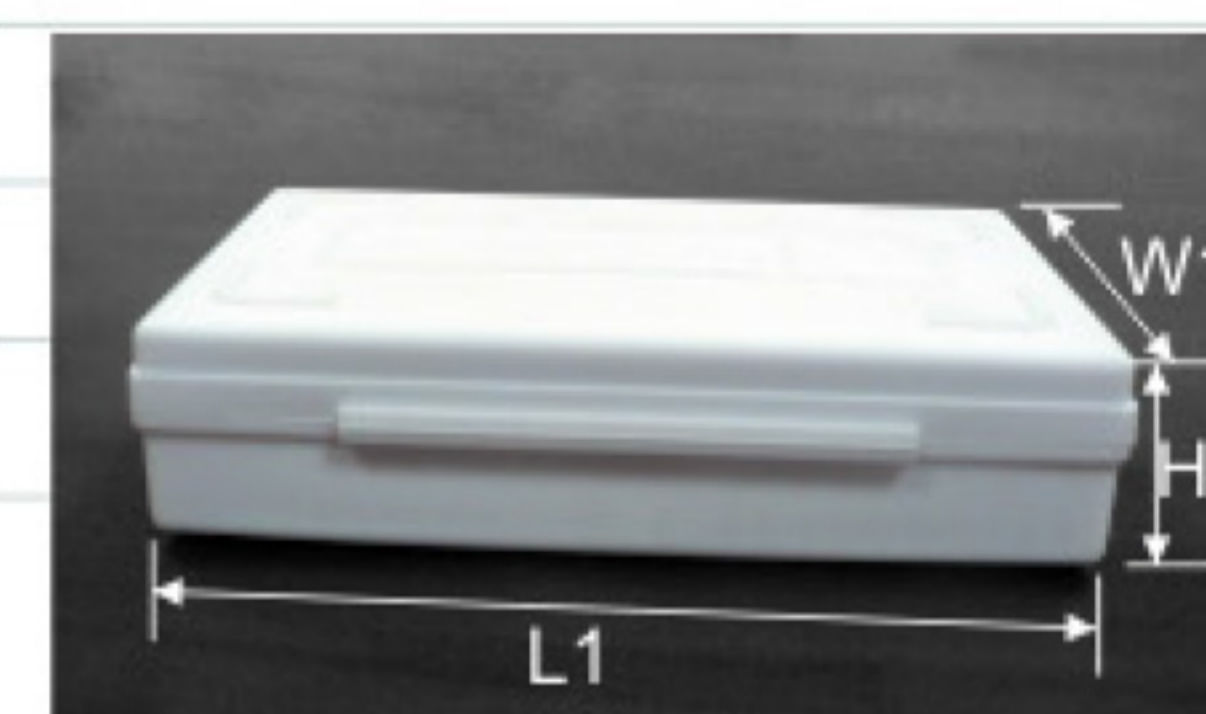
Upright Freezer Drawer Racks

For 25-Place Slide Boxes

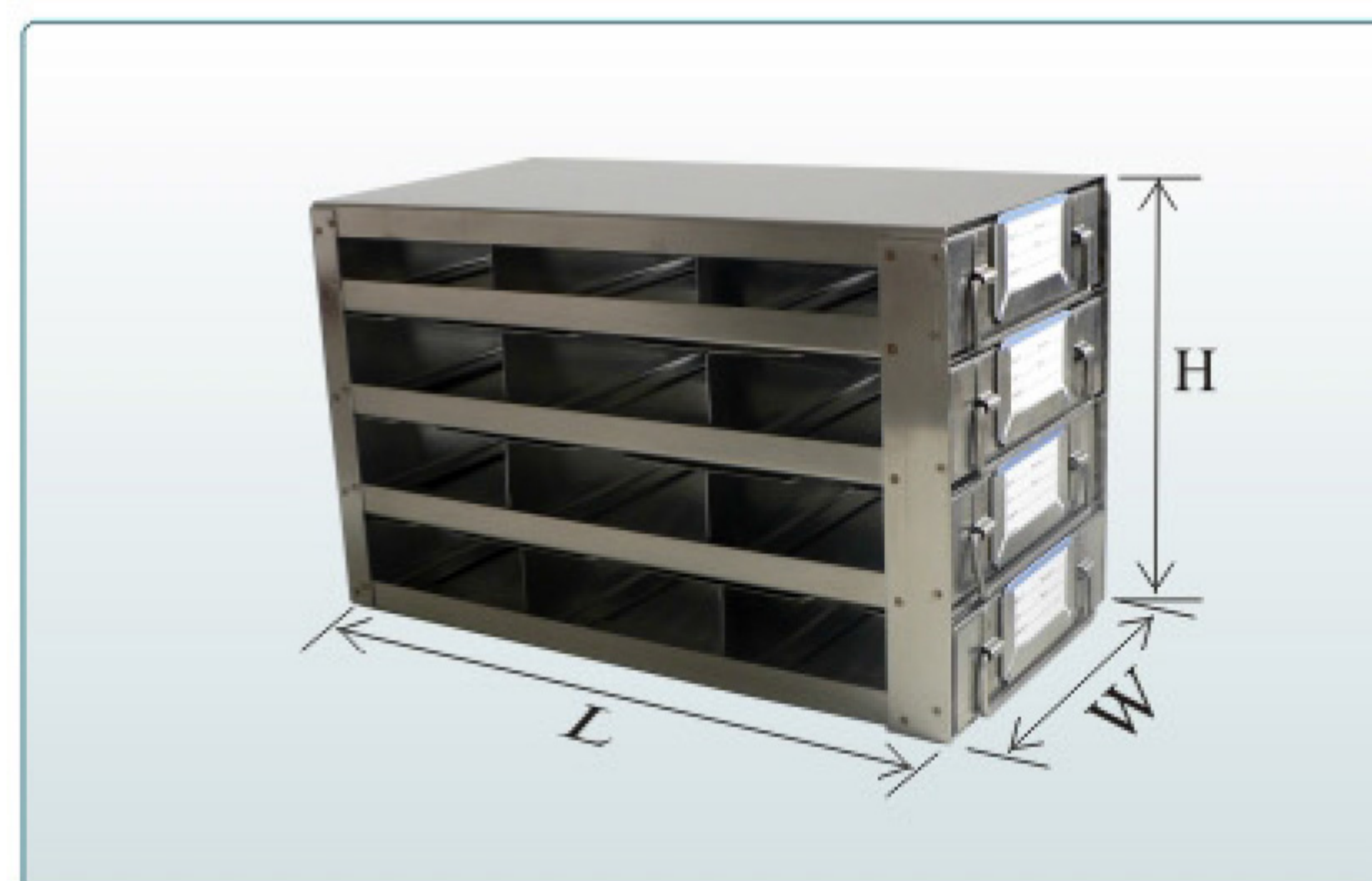
Racks are for 25-Place Slide Boxes Dimensions: 1.4" H x 3.6" W x 5.5" L (35H x 91W x 140L) mm. High quality Upright Freezer Drawer Racks, including handles and card label holders are constructed with corrosion resistant stainless steel and offer convenient storage of slide samples in a highly organized format. Drawer style rack design allows easy access to fewer slide boxes at any one time thus protecting other slide samples in the rack from warming up. Each rack compartment in a drawer holds a single 25-Slide Box. Security lock devices are also available for each rack. Using the internal dimensions obtained for your freezer shelf space (see page 1 , fig 1) determine the height (H), length (L) and width (W) of each rack you select for your upright freezer.



L1 x W1 x H1: 5.5" x 3.6" x 1.4"
140 x 91 x 35mm



L1 x W1 x H1: 5.5" x 3.3" x 1.4"
140 x 83 x 34mm



Racks Only

Part Number	Dimension L x H x W	Capacity	Lock Device Option*
UFDS-25-34	287.5x175x152mm 11 ³ / ₁₀ x 6 ⁹ / ₁₀ x 6inch	12	DD25-06
UFDS-25-44	381x175x152mm 15x6 ⁹ / ₁₀ x 6inch	16	DD25-06
UFDS-25-54	475x175x152mm 18 ⁷ / ₁₀ x6 ⁹ / ₁₀ x 6inch	20	DD25-06
UFDS-25-64	568.5x175x152mm 22 ² / ₅ x6 ⁹ / ₁₀ x 6inch	24	DD25-06
UFDS-25-74	662x175x152mm 26 ¹ / ₁₀ x6 ⁹ / ₁₀ x 6inch	28	DD25-06
UFDS-25-35	287.5x218x152mm 11 ³ / ₁₀ x 8 ³ / ₅ x 6inch	15	DD25-08
UFDS-25-45	381x218x152mm 15 x 8 ³ / ₅ x 6inch	20	DD25-08
UFDS-25-55	475x218x152mm 18 ⁷ / ₁₀ x8 ³ / ₅ x 6inch	25	DD25-08
UFDS-25-65	568.5x218x152mm 22 ² / ₅ x8 ³ / ₅ x 6inch	30	DD25-08
UFDS-25-75	662x218x152mm 26 ¹ / ₁₀ x8 ³ / ₅ x 6inch	35	DD25-08
UFDS-25-36	287.5x259x152mm 11 ³ / ₁₀ x 10 ¹ / ₅ x 6inch	18	DD25-09
UFDS-25-46	381x259x152mm 15 x 10 ¹ / ₅ x 6inch	24	DD25-09
UFDS-25-56	475x259x152mm 18 ⁷ / ₁₀ x 10 ¹ / ₅ x 6inch	30	DD25-09
UFDS-25-66	568.5x259x152mm 22 ² / ₅ x 10 ¹ / ₅ x 6inch	36	DD25-09
UFDS-25-76	662x259x152mm 26 ¹ / ₁₀ x 10 ¹ / ₅ x 6inch	42	DD25-09
UFDS-25-37	287.5x304.5x152mm 11 ³ / ₁₀ x 12x 6inch	21	DD25-11
UFDS-25-47	381x304.5x152mm 15 x 12x 6inch	28	DD25-11
UFDS-25-57	475x304.5x152mm 18 ⁷ / ₁₀ x 12x 6inch	35	DD25-11
UFDS-25-67	568.5x304.5x152mm 22 ² / ₅ x 12x 6inch	42	DD25-11
UFDS-25-77	662x304.5x152mm 26 ¹ / ₁₀ x 12x 6inch	49	DD25-11
UFDS-25-38	287.5x347.5x152mm 11 ³ / ₁₀ x 13 ⁷ / ₁₀ x 6inch	24	DD25-13
UFDS-25-48	381x347.5x152mm 15 x 13 ⁷ / ₁₀ x 6inch	32	DD25-13
UFDS-25-58	475x347.5x152mm 18 ⁷ / ₁₀ x 13 ⁷ / ₁₀ x 6inch	40	DD25-13
UFDS-25-68	568.5x347.5x152mm 22 ² / ₅ x 13 ⁷ / ₁₀ x 6inch	48	DD25-13
UFDS-25-78	662x347.5x152mm 26 ¹ / ₁₀ x 13 ⁷ / ₁₀ x 6inch	56	DD25-13